

SAFETY NOTICE

Before starting the installation process, ensure the wall construction is suitable and can support the weight of the mirror. The wall plugs supplied are only suitable for solid stone/brick walls. For plasterboard walls use specialist wall plugs along with supplementary wall strengthening as units can be very heavy. Seek advice from a specialist about the suitability of fixings to be used.

Wear suitable eye protection when drilling. Take care when using power tools near water - the use of a residual current device (RCD) is recommended. Beware of hidden pipes or cables. Take care when drilling tiled surfaces as the drill might slip. Use a piece of masking tape to prevent the drill from wandering.

WARNINGS

Do not strike glass components with hard or pointed items. Do not place very hot or very cold items against or in close proximity to glass surfaces unless an adequately thick insulation material is used to prevent such items coming in contact with the glass.

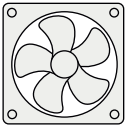
MIRROR AFTERCARE INSTRUCTIONS

As with all wooden furniture, this product should be treated with care.

We recommend...



Wipe away any water splashes or condensation after use. Excessive exposure to water will deteriorate the furniture.



All bathrooms should be well ventilated with a suitable extractor fan.

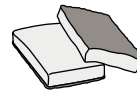


Clean with a soft damp cloth only.



For removal of lime scale deposits use a suitable proprietary cleaner. If necessary test on an inconspicuous area first.

Please DO NOT...



Do not scrub or scour

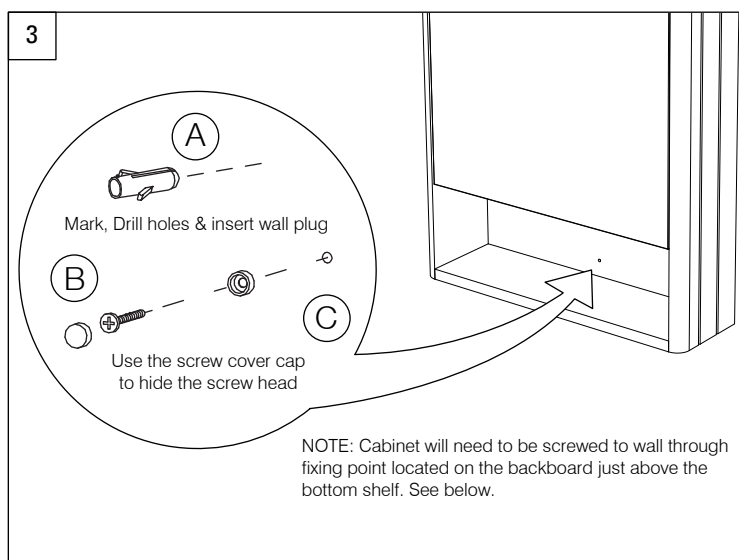
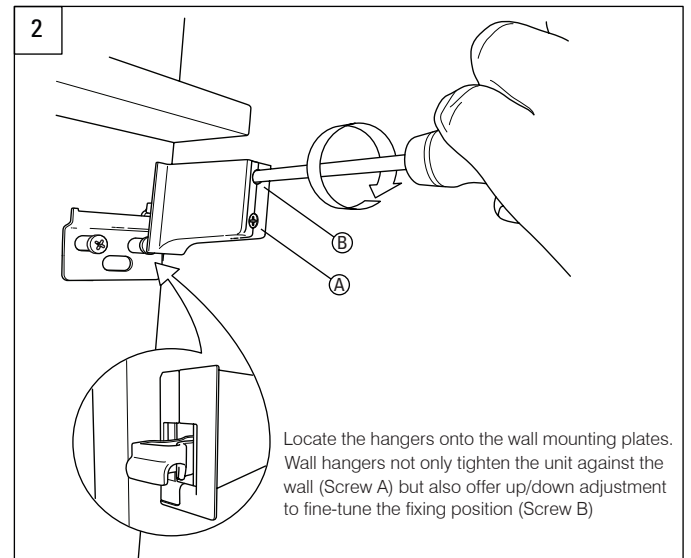
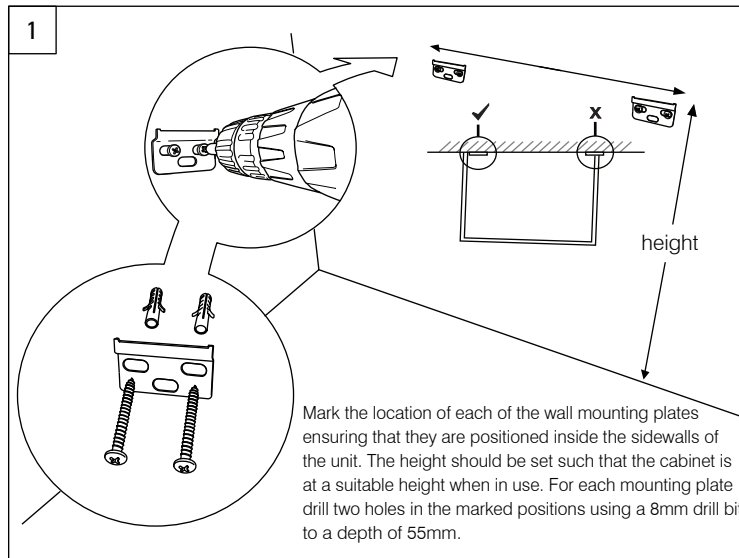


Do not use abrasive cleaning agents

Replacement Components

This cabinet contains a mirrored door of nominal thickness of 5mm. Should the mirror become chipped or broken, it is not possible to replace the glass. Contact Customer Services for details on obtaining a suitable replacement door. For all other replacement components for this product please also contact Customer Services using the contact details below.

FIXING TO THE WALL



HINGE ADJUSTMENT

