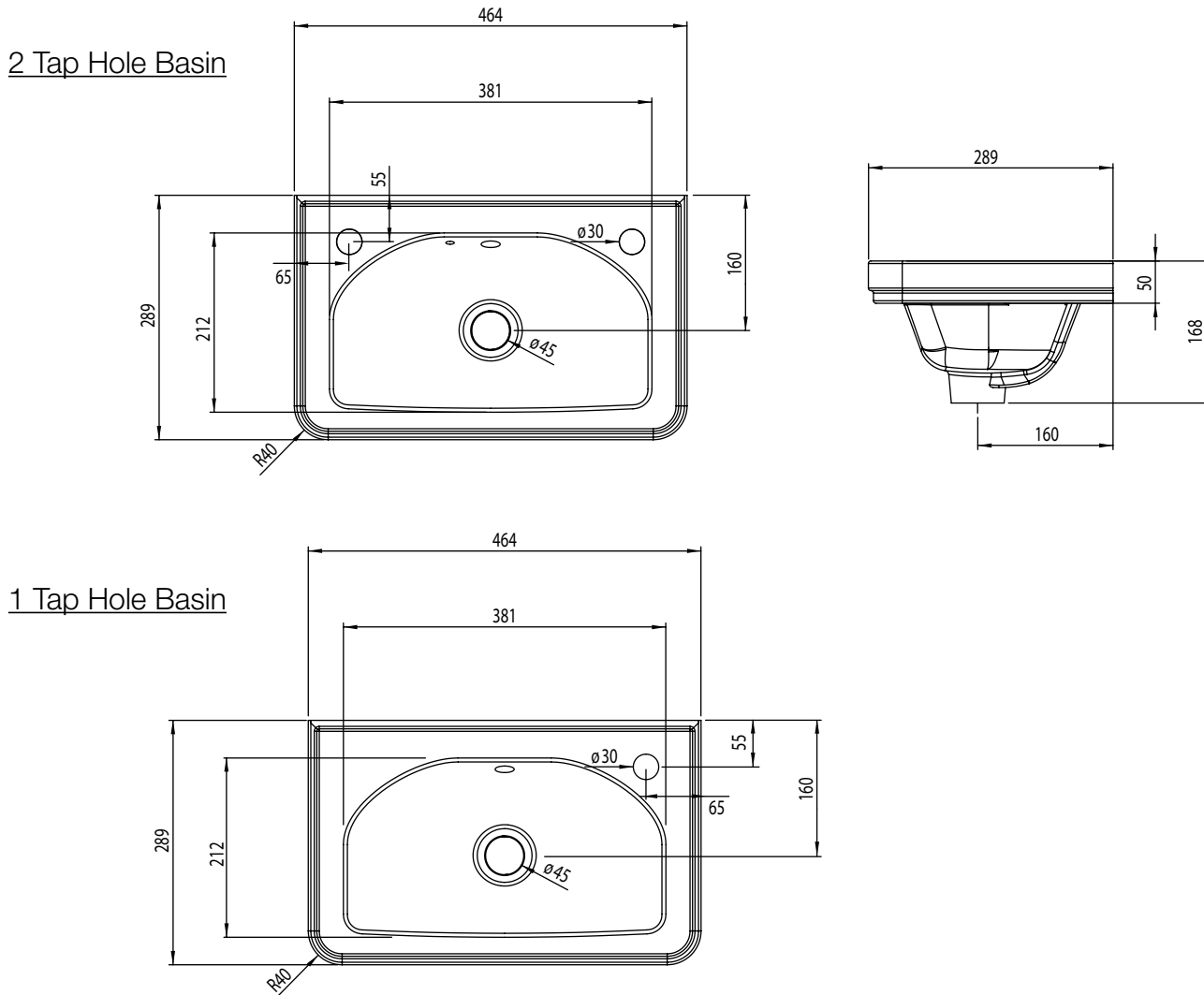


Technical Data Sheet

Halcyon Cloakroom Ceramic Basin (1 or 2 Tap Hole)

Whats in the box: 1x HALS4680 or HALD4680

R2



Diagrams not to scale
All dimensions in mm
tolerance of +/-5mm

Materials

Basin: Ceramic

*Dimensions are subject to change, customers are advised to measure actual product before commencing installation.

**Fixing point dimensions are for guidance only/the positions of wall fixing must be checked when product is received.

FAQs

- | | |
|---|--|
| Q: What is the maximum water depth of the basin? | A: 86mm up to the overflow. |
| Q: What is the internal depth? | A: The internal depth is 114mm. |
| Q: Whats is the width of the Tapledge? | A: The Tapledge is 115mm wide (from corner of basin at 45°). |
| Q: What is the distance from the Taphole centre to Basin Waste? | A: 215mm (diagonal). |
| Q: Is the basin glazed on the back face? | A: No. |
| Q: For 2TH basin, are the chain & plug supplied? | A: No - they should be purchased with waste. |
| Q: What is the overflow rating? | A: CL10 intergrated overflow. |