

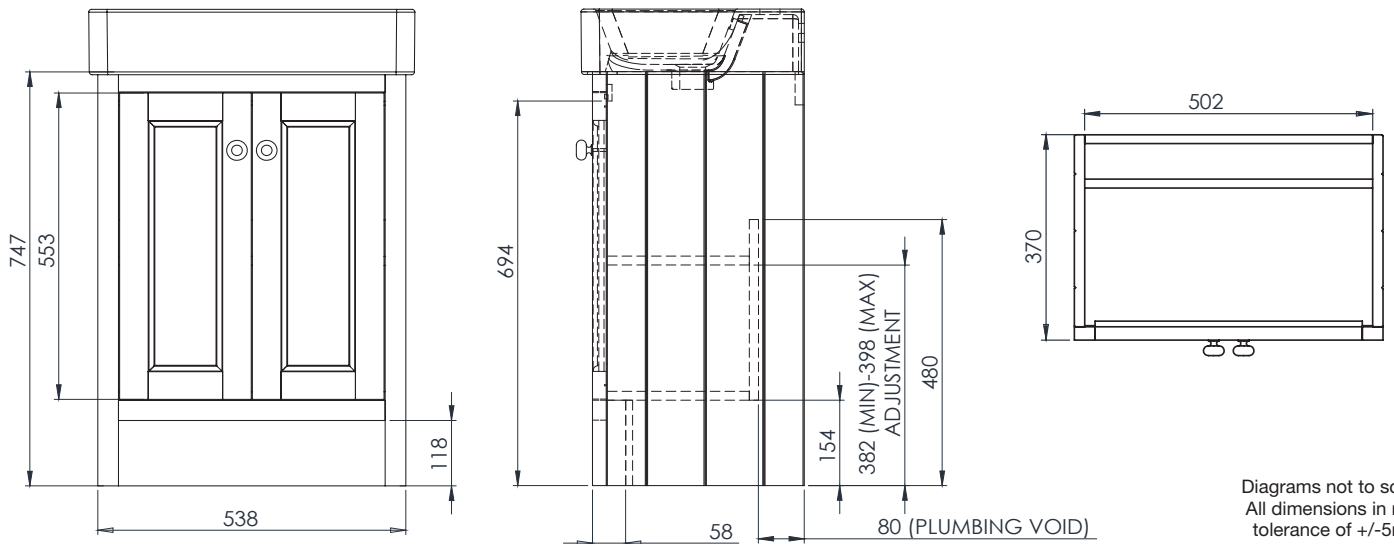
Technical Data Sheet

ROPER RHODES®

HAMPTON 575 Countertop Unit

Whats in the box: 1x HAM550B.X + Handles & Fixings

*Reference basin TDS for further info



Materials

Carcass: Painted MDF

Fascia Components: Painted MDF

**Dimensions are subject to change, customers are advised to measure actual product before commencing installation.

***Fixing point dimensions are for guidance only/the positions of wall fixing must be checked when product is received.

FAQs

- | | |
|---|--|
| Q: How big is the plumbing void? | A: 80mm. |
| Q: Are the handles fitted? | A: No, hole centres need to be drilled using the pilot holes provided. |
| Q: Can I use different handles? | A: Yes, other handle hole centres can be drilled by the fitter. |
| Q: Are the hinges soft close? | A: No, the hinges are not soft close. |
| Q: How deep is the unit with door open? | A: Approx depth with 90° hinge 590mm. |
| Q: Can the doors be adjusted? | A: The door can be adjusted as detailed in the supplied instructions |
| Q: Is the shelf removable? | A: Yes, there is one removable shelf. |
| Q: What is the shelf capacity? | A: Shelf max depth: 310mm. |
| Q: How many shelves are there? | A: There is one shelf and a base within the unit. |
| Q: Is the shelf adjustable? | A: Yes, the shelf is adjustable. |
| Q: What is the interior finish of the unit? | A: The unit interior is the same finish as the exterior. |

NOTE: Colours unique to Roper Rhodes - No RAL Code available