

BEFORE YOU START

It is recommended that the unit and basin are secured to a suitably reinforced wall to ensure stability. This can be done through the back rail (fixings not included.)

JOINING UNITS

Two units can be joined together using fixing bolts (not provided) to make a 1200 double unit. It is recommended that units are joined before they are fixed to the wall.

Clamp the units together using suitable clamps, ensuring they are flush and level with each other. Drill holes through the side of the unit and using the bolts, join units together.

FITTING HANDLES

- A pilot hole located at the back of the door can be drilled if using a single screw knob.
- If you have chosen a pull handle with 2 screws then please pilot and then drill through the door with the handles in the desired location.
- Carefully drill any holes using a clamped block of wood to protect the front of door - See figure 2.
- The handles can simply be screwed into place using the screws supplied with the unit.
- If you choose third party handles please measure carefully before drilling.

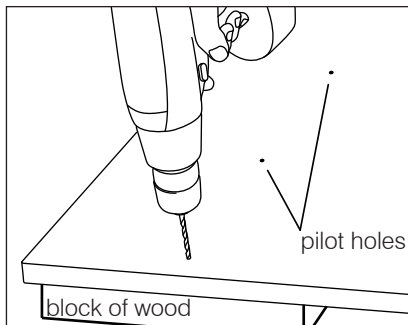


Figure 2

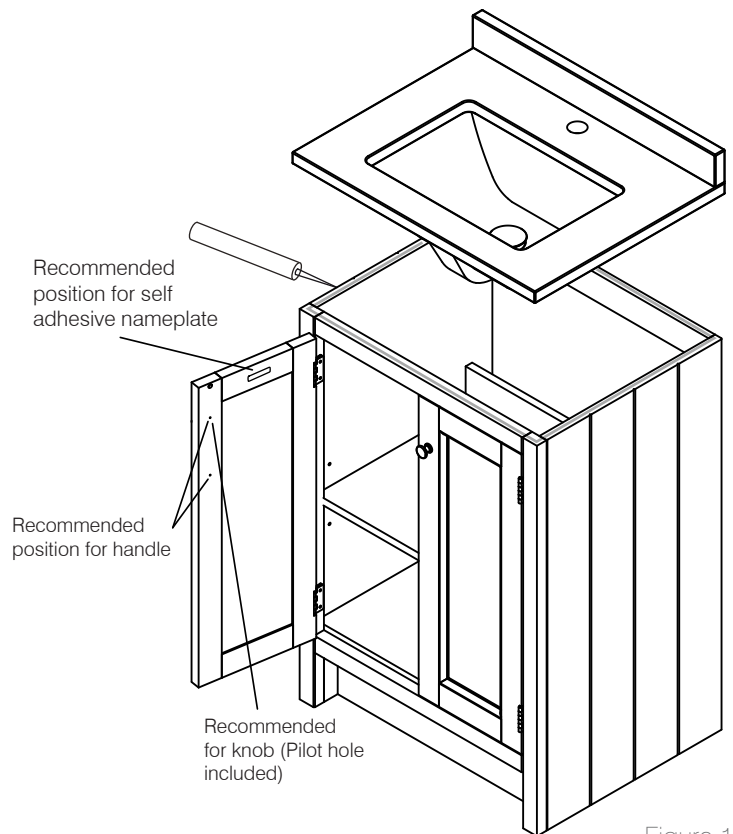


Figure 1

FITTING WORKTOP WITH UNDERSLUNG BASIN

- Follow supplementary instructions supplied with worktop and basin for fitting basin to worktop.
- Apply a layer of silicone sealant to the worktop on all 4 sides to be fixed to the panels, back rail and front section as per figure 1.
- Connect plumbing services as necessary.

AFTERCARE INSTRUCTIONS

- SEE SEPARATE INSTRUCTIONS FOR CARE AND MAINTENANCE OF THE WORKTOP AND BASIN
- Wipe away any water splashes or condensation after use. Excessive exposure to water will deteriorate the furniture.
- All bathrooms should be well ventilated with a suitable extractor fan.
- Clean furniture with a soft damp cloth only and dry thoroughly once done.
- Handles must only be cleaned with a dry (microfiber) cloth.
- For removal of lime scale deposits on the basin use a suitable proprietary cleaner. Test on an inconspicuous area first.

DO NOT

- Use any abrasive cleaning agents, aggressive detergents or vinegar.
- Slide hard/sharp objects (cups, bottles etc) across the surface as these will result in scratches.

REPLACEMENT PARTS

Should you require any replacement components for this product please contact Roper Rhodes using the contact details below.