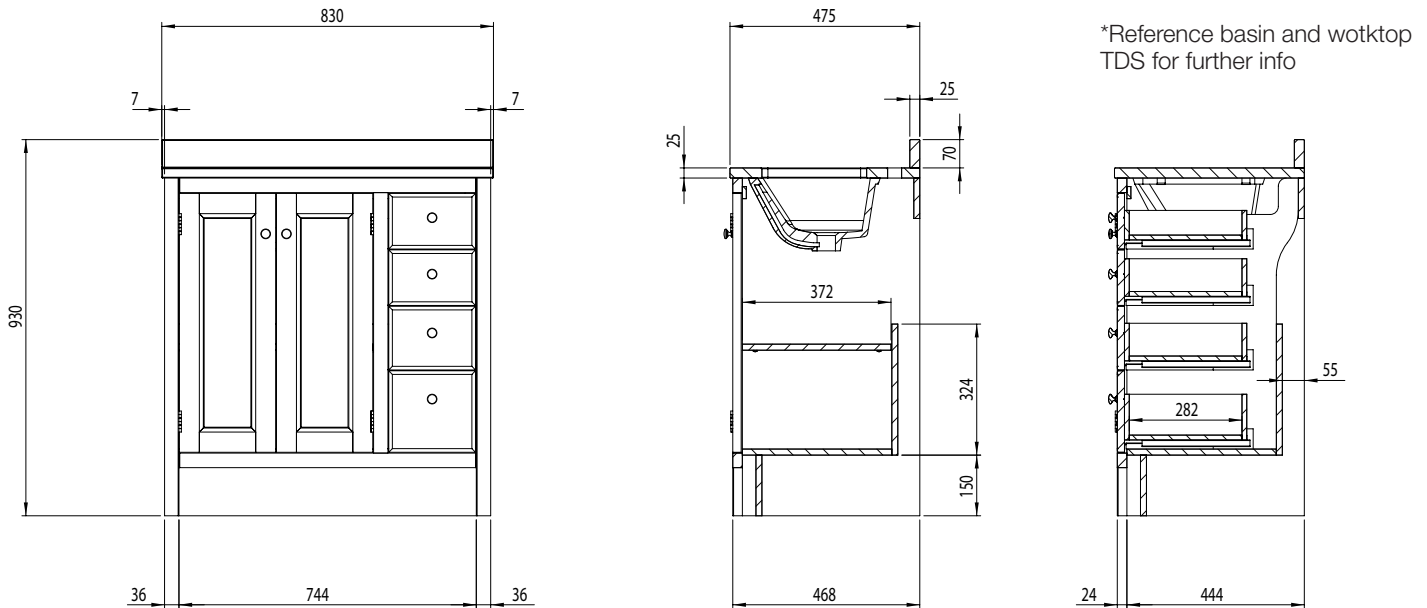


# Technical Data Sheet

# ROPER RHODES®

## HAMPTON 800mm Underslung Unit

Whats in the box: 1x HAM800B.X + Handles/Fixings



### Materials

Carcass: 24mm Solid Wood & 18/16mm MDF

Fascia Components: 21mm & 6mm MDF

\*\*Dimensions are subject to change, customers are advised to measure actual product before commencing installation.

\*\*\*Fixing point dimensions are for guidance only/the positions of wall fixing must be checked when product is received.

Diagrams not to scale  
All dimensions in mm  
tolerance of +/-5mm

### Extra Dimensions

Internal Drawer Depth - Front to Back:

282mm

Internal Drawer Height:

Top - 61mm, Both Middle - 81mm, Bottom - 101mm

Internal Drawer Width:

186mm

### FAQs

Q: How big is the plumbing void?

A: 55mm.

Q: Are the handles fitted?

A: No, handles need fixing. Pilot holes are provided

Q: How far apart are the hole centres for the handles?

A: N/A, all handles are knobs.

Q: Are the hinges soft close?

A: The door hinges are not soft close however the drawer runners are.

Q: How deep is the unit with doors open?

A: Approx 710mm at 90°.

Q: Can the doors and drawers be adjusted?

A: The doors and drawers can be adjusted as detailed in the supplied instructions.

Q: Is the shelf removable?

A: Yes, the shelf can be removed.

Q: What is the shelf capacity?

A: Shelf max depth: 372mm.

Q: How many shelves are there?

A: There is one shelf and a base within the unit.

Q: Is the shelf adjustable?

A: No, the shelf isn't adjustable.

Q: What is the interior finish of the unit?

A: The unit interior is the same finish as the exterior.

Q: Is the upstand suitable with all taps?

A: The upstand is suitable with all taps except the Wessex 3TH tap.

NOTE: Colours unique to Roper Rhodes - No RAL Code available