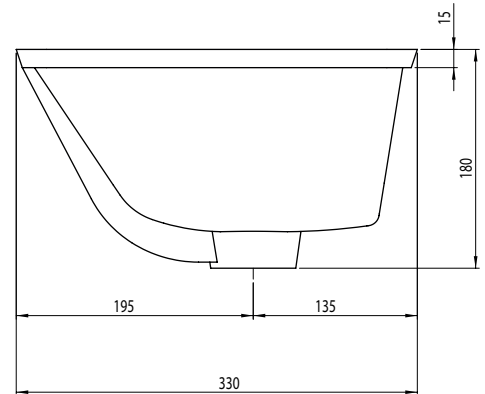
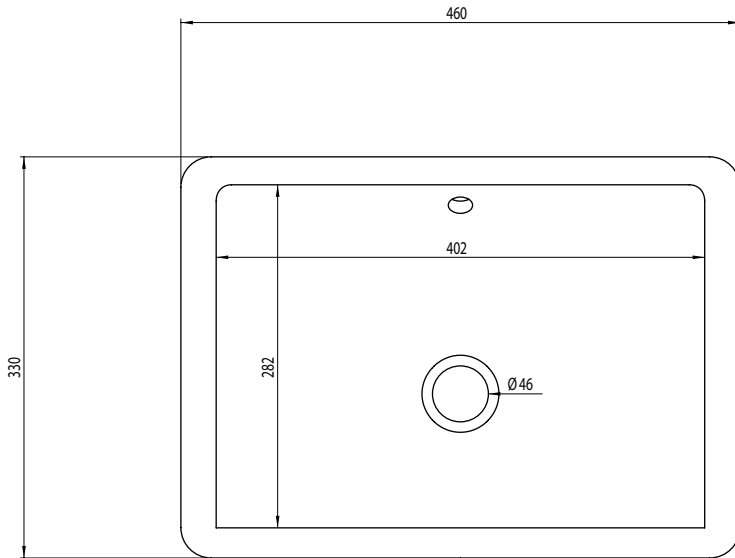


# Technical Data Sheet

# ROPER RHODES®

## HAMPTON Underslung Ceramic Basin

Whats in the box: 1x HAMUSC1



Diagrams not to scale  
All dimensions in mm  
tolerance of +/-5mm

### Materials

Basin: Ceramic

\*Dimensions are subject to change, customers are advised to measure actual product before commencing installation.

### FAQs

- |   |                              |
|---|------------------------------|
| Q: What is the maximum water depth of the basin?                | A: 100mm up to the overflow. |
| Q: What is the distance of the wall fixings?                    | A: N/A                       |
| Q: Whats is the width of the Tapledge?                          | A: N/A                       |
| Q: What is the distance from the Taphole centre to Basin Waste? | A: N/A                       |