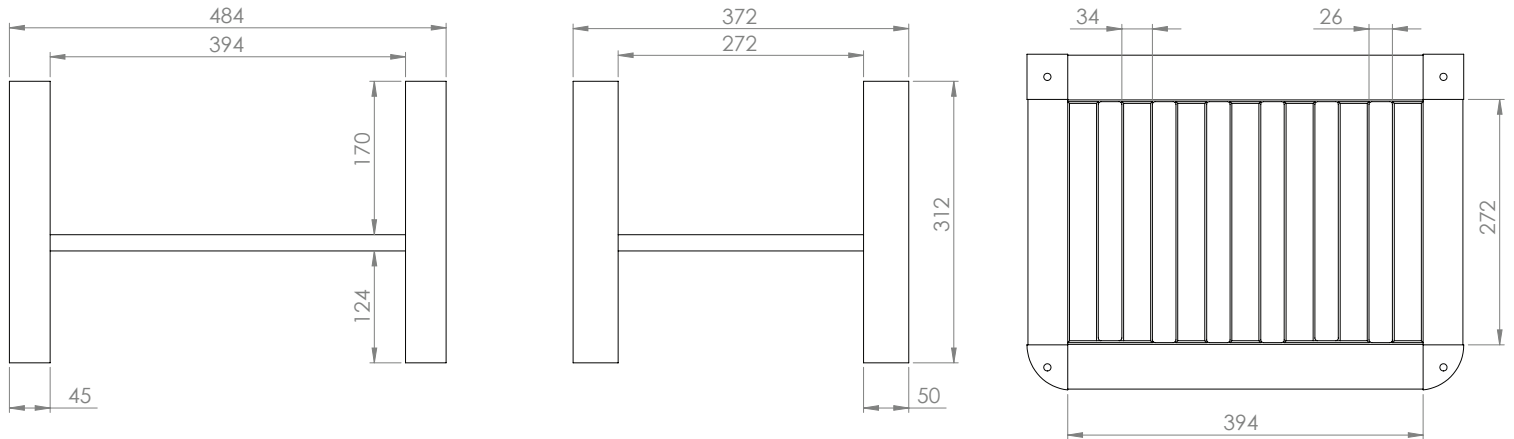


Technical Data Sheet

HALCYON 500mm Washstand

What's in the box: 1x HAL5095.XX + Fixings

R2



Diagrams not to scale
All dimensions in mm
Tolerance of +/-5mm

Materials

Washstand: Painted MDF

**Dimensions are subject to change, customers are advised to measure actual product before commencing installation.

FAQs

Q: Is any installation required?

A: The washstand will need to be assembled and secured using the fixing and instructions supplied.

Q: What is the shelf's weight limit?

A: The shelf is suitable for standard bathroom items and everyday toiletries, but it shouldn't be used as a stool or stood on.

Q: Can this washstand be used with other ranges?

A: No, this washstand is designed specifically for the Halcyon Wall Mounted Unit.

Q: Is the washstand load-bearing?

A: No, the washstand is not load-bearing. The unit must be fixed to the wall using all the supplied fixings.

Q: Is the washstand colour matched to the furniture unit?

A: Yes, the washstand is colour matched to the furniture unit.

Q: What is the overall height of the washstand with the unit and basin?

A: Approx. 860mm.

NOTE: Colours unique to R2 - No RAL Code available