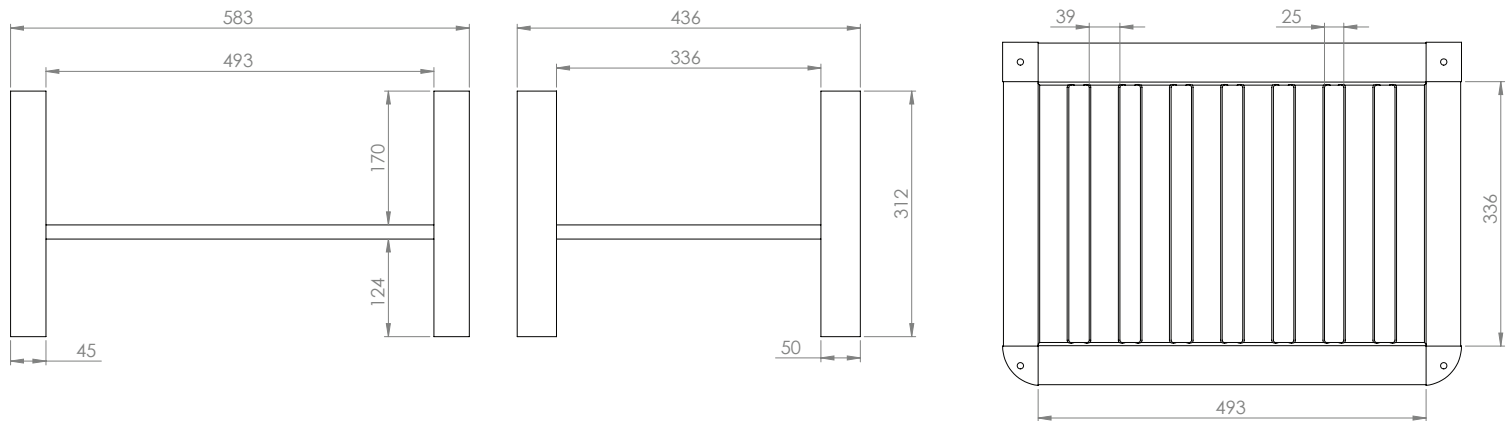


Technical Data Sheet

HALCYON 600mm Washstand

What's in the box: 1x HAL6095.XX + Fixings

R2



Diagrams not to scale
All dimensions in mm
Tolerance of +/-5mm

Materials

Washstand: Painted MDF

**Dimensions are subject to change, customers are advised to measure actual product before commencing installation.

FAQs

- | | |
|---|--|
| Q: Is any installation required? | A: The washstand will need to be assembled and secured using the fixing and instructions supplied. |
| Q: What is the shelf's weight limit? | A: The shelf is suitable for standard bathroom items and everyday toiletries, but it shouldn't be used as a stool or stood on. |
| Q: Can this washstand be used with other ranges? | A: No, this washstand is designed specifically for the Halcyon Wall Mounted Unit. |
| Q: Is the washstand load-bearing? | A: No, the washstand is not load-bearing. The unit must be fixed to the wall using all the supplied fixings. |
| Q: Is the washstand colour matched to the furniture unit? | A: Yes, the washstand is colour matched to the furniture unit. |
| Q: What is the overall height of the washstand with the unit and basin? | A: Approx. 860mm. |

NOTE: Colours unique to R2 - No RAL Code available