

BEFORE YOU START

It is recommended that the unit and basin are secured to a suitably reinforced wall to ensure stability. This can be done through the back rail (fixings not included.)

FITTING HANDLES

- A pilot hole located at the back of the door can be drilled if using a single screw knob.
- If you have chosen a pull handle with 2 screws then please pilot and then drill through the door with the handles in the desired location.
- Carefully drill any holes using a clamped block of wood to protect the front of door - See figure 1.
- The handles can simply be screwed into place using the screws supplied.
- If you choose third party handles please measure carefully before drilling.

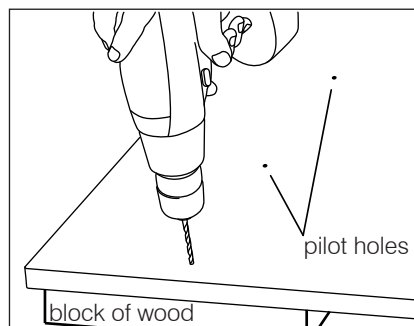


Figure 1

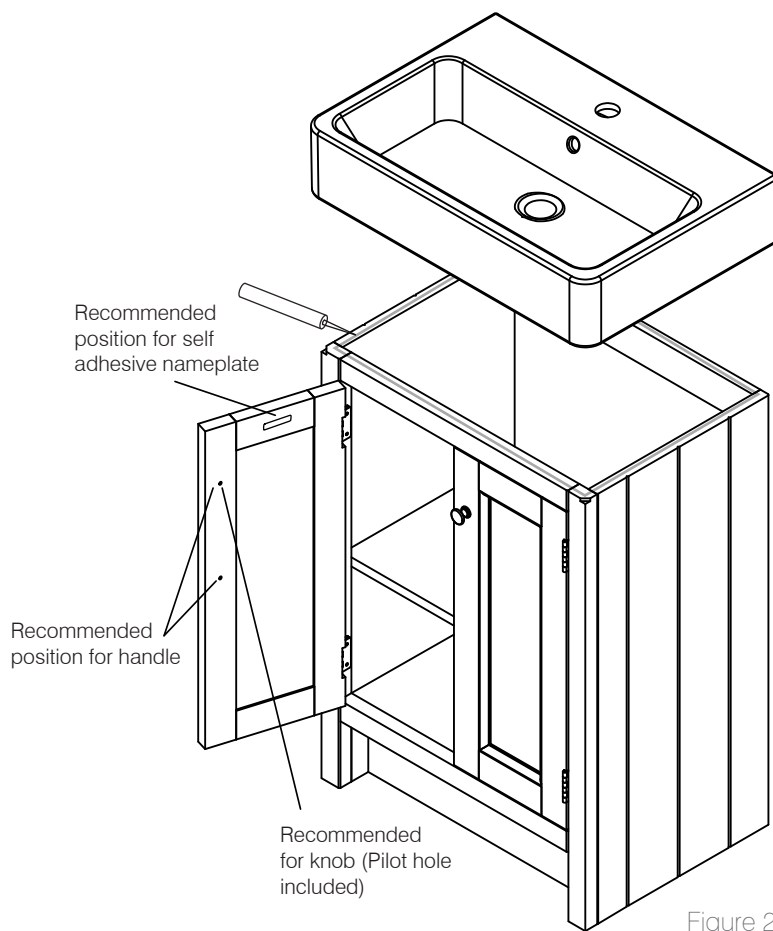


Figure 2

FITTING CERAMIC BASIN

- Apply a layer of silicone sealant to the basin on all 4 sides to be fixed to the panels, back rail and front section as per figure 2.
- The basin should be held in place while the silicone cures.

FURNITURE AFTERCARE INSTRUCTIONS

As with all wooden furniture, this product should be treated with care.

We recommend...	Please DO NOT...
Wipe away any water splashes or condensation after use. Excessive exposure to water will deteriorate the furniture. All bathrooms should be well ventilated with a suitable extractor fan. Clean with a soft damp cloth only. Use a wax free polish if one must be used. For removal of lime scale deposits use a suitable proprietary cleaner. If necessary test on an inconspicuous area first.	Do not scrub or scour Do not use abrasive cleaning agents

Replacement Components

Should you require any replacement components for this product please contact Roper Rhodes using the contact details below.