

© R2 Bathrooms. 2019

R2 Bathrooms, Brassmill Lane Trading Estate, Bath, BA1 3JF
TEL: 01225 787 870 | info@R2bathrooms.co.uk
<http://www.R2bathrooms.co.uk/>

IMPRESSION

LED Illuminated Mirror

Installation & Aftercare Instructions

Retain for future reference

Electrical Safety

Suitable for UK Installations **only**.

All fittings must be installed by a competent person, in accordance with current IEE wiring regulations. If in doubt consult a qualified electrician.

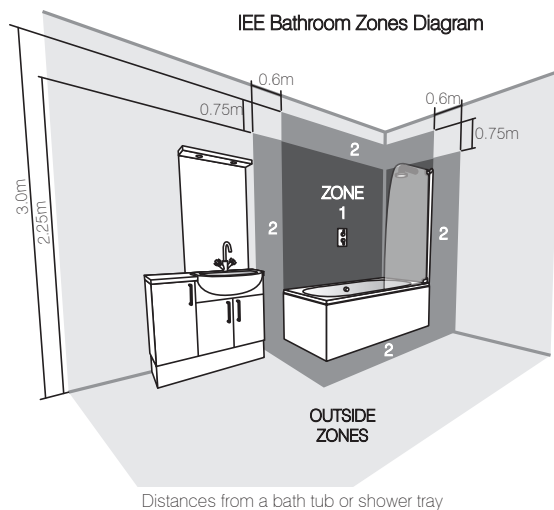
Important: Always switch off the electrical supply at the mains before installation and maintenance. It is recommended that the fuse is withdrawn or the circuit breaker is switched off for the necessary circuit before installation commences.

This product is manufactured to class I category and **must** have an earth connection.

WIRING DIAGRAM - MAINS SUPPLY



Bathroom Zones



Bathroom fittings are subject to the appropriate zones in accordance with IEE Regulations. This product is **only** suitable for permanent indoor installation in Zone 2 and outside zones. (See above) This product is **not** suitable for installation in Zone 0 or 1, saunas, steam rooms or shower cubicles. Do **not** connect to a trailing plug and socket. Do **not** install onto surfaces that are either damp or electrically conductive.

After care service

Cleaning your product

When cleaning the mirror or any mirrored surfaces it is recommended to use a soft, dry, non abrasive cloth with the mirror turned off. Do not use cleaning agents or abrasive materials.

Do not allow moisture to come into contact with any electrical components.

Troubleshooting & After care service

For any further assistance, please contact our tech support team at: info@R2bathrooms.co.uk.

10 Year Guarantee

We have complete confidence in this R2 bathroom mirror and as such it is offered with a 10-year guarantee against defects in manufacture.

The guarantee requires that this product be used in the manner for which it was intended and that it is installed and maintained in accordance with the fitting instructions.

The guarantee covers products in domestic use only and is not transferable. In the unlikely event that this product should fail during the guarantee period we will either replace the faulty part or the complete unit as appropriate.

Compliance

This product complies with all relevant British and European safety standards.



Installation Procedure

Important: Before starting the installation process, make sure the electrical supply is switched off. It is recommended that the fuse is withdrawn or the circuit breaker is switched off for the necessary circuit.

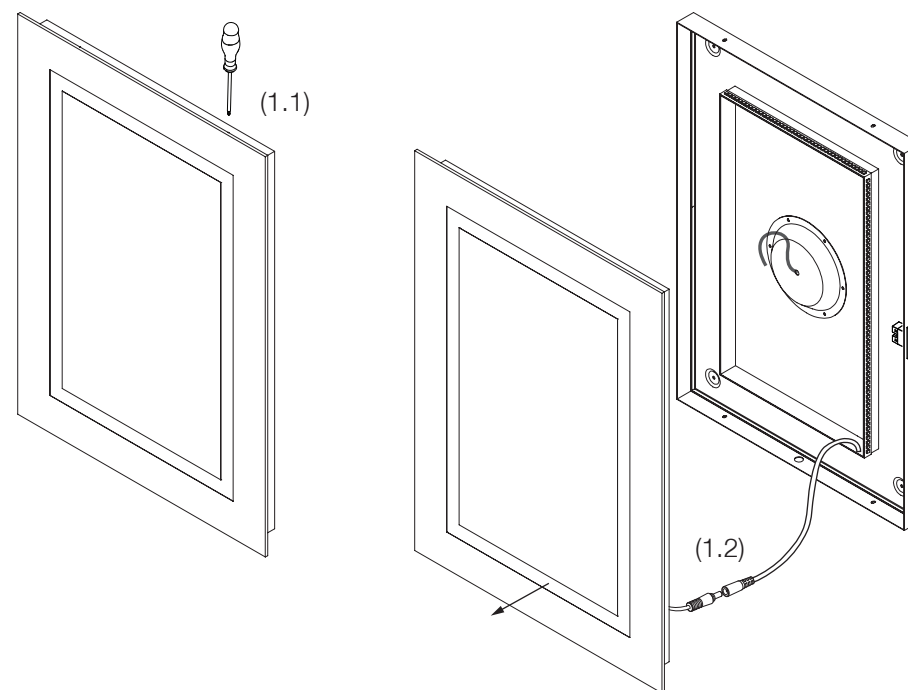
Important: Before starting the installation process, ensure the wall construction is suitable and can support the weight of the mirror.

Note: The wall plugs supplied are suitable for solid stone / brick walls. For any other wall material use specialist wall plugs.

Step 1 - Preparing the mirror - Removing the mirror front

1.1 - Carefully remove the mirror by unfastening the retaining screws on the top and bottom of the mirror body.

1.2 - Remove the mirror from the main body making sure to disconnect the heated pad by separating the plug. Place the mirror, screws and washers in a safe place.

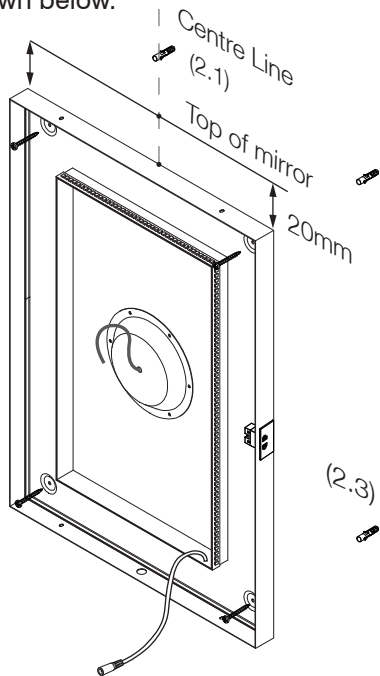


Installation Procedure

Step 2 - Installing the mirror

2.1 - Using a spirit level, draw a line to mark the top of the mirror, draw another line 20mm below to mark the top of the mirror body. Make sure the lines are parallel to the floor.

2.2 - Holding the mirror body in place on the horizontal line, mark all 4 holes in the back of the mirror body as shown below.



2.3 - Place the mirror body to one side. Drill the marked out positions and fit the wall plugs accordingly.

Step 3 - Connecting to power

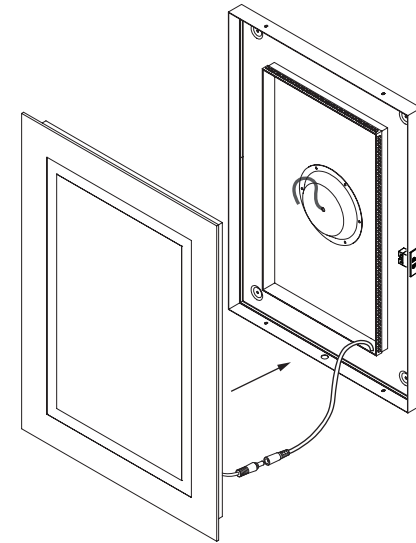
Important: Before starting the installation process, make sure the electrical supply is switched off. It is recommended that the fuse is withdrawn or the circuit breaker is switched off for the necessary circuit.

3.1 - Make the electrical connection from the mirror to the mains supply. Use the connection wire found at the rear of the mirror to make the necessary connections in accordance with the current IEE regulations. A second person will need to hold the mirror in place whilst electrical connections are made.

Step 4 - Finishing the installation

4.1 - Screw the mirror body in position.

4.2 - Reconnect the heated pad and place the mirror and its frame inside the body, aligning the top and bottom holes. Make sure that the glass fits completely flat on the face of the body. Fasten with the screws and washers removed in stage 1.



Operating Instructions

The Impression mirror comes with LED lighting, which is controlled via an IR sensor located centrally on the underside of the product. The lighting can be controlled as detailed below:

Turn Mirror ON/OFF

To turn the product on/off, slowly wave your hand in front of the IR sensor.

