

INSTALLATION INSTRUCTIONS

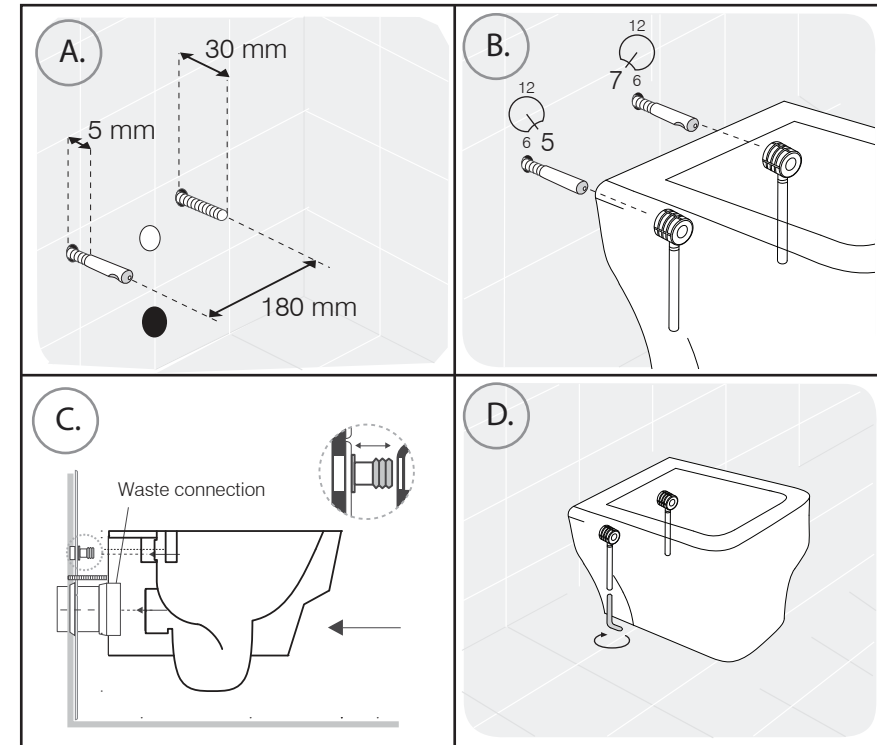
Please read these instructions carefully before proceeding. We strongly recommend that this product is installed by a qualified plumber.

This WC must be fitted to a dedicated Wall Hung WC frame. Please refer to the frame manufacturer's instructions for fitting information regarding the frame. Ensure that the frame is fully commissioned and that there are no leaks before tiling in.

Check the product for any transport damage before proceeding. Check that all components for the concealed fixings are present according to the information printed on the bag. It is recommended that the wall hung pan is first positioned in the desired installation area, and its final position marked faintly with a pencil. This is to ensure that the pan can be positioned easily and all necessary fittings are to hand. A 2nd person may be required to hold the pan in place whilst the concealed fixings are tightened from underneath to the frame.

1. Cut the flush and waste pipes to the necessary length, paying particular attention to the instructions supplied with your Wall Hung Frame. Be careful not to leave the pipes cut too long as this can cause strain on the connections and eventually lead to leaks.
2. Adjust the threaded rods of the frame such that they are protruding approx. 30mm from the wall as shown in figure A.
3. Thread on the steel sleeves (with concave face) ensuring that the concave face is pointing downwards and at a slight angle inwards as shown in figure B. Ensure that they are spaced 5mm from the wall as shown in figure A.
4. Install the main concealed fixing blocks to the pan (Fig B) in accordance with the instructions printed on the fixing kit bag. **DO NOT** remove the plastic sleeves.
5. Insert the correctly cut flush pipe to the frame and waste connector onto the back of the pan, using an appropriate plumber's lubricant if necessary. Please also refer to the wall hung frame instructions for further information.
6. Place the pan onto the fixing rods, and push against the pan back to the wall, whilst ensuring that both the flush pipe and waste connectors are located properly. See Fig C.
7. Tighten the large fixing grub screws using the allen key provided from underneath the pan. It is recommended to tighten the fixing bolts alternately to secure an equal fit of the WC against the wall. You should feel the pan pull back to the wall as the grub screws engage on the concave faces of the steel sleeves.

Once installed, flush test the WC pan, checking for any leaks before sealing the pan to the finished surface with a bead of silicone.



DIMENSIONS

