

### ⚠ WARNINGS ⚠

- This product must be installed by a qualified fitter or plumber in accordance with and meet the requirements of Water Supply (Water Fittings) Regulations 1999, the Water Supply (Water Fittings) (Scotland) Byelaws 2014 and the Water Supply (Water Fittings) Regulations (Northern Ireland) 2009.
- Prior to installation please ensure that your plumbing system is adequate and that you have sufficient space to complete the installation.
- Prior to installation we recommend a visual inspection of bath tub to ensure there are no manufacturing defects or damage during transit.
- Due to the size and weight of the product, a two person lift is required. Please ensure to use proper lifting techniques.
- Do not stand in the bath tub until installation has been completed.

- The bath tubs should not be modified in any way as this will invalidate the warranty.
- When placing the bath tub on it's side or top, ensure suitable protection, such as a mat, is used to prevent the bath from being damaged.

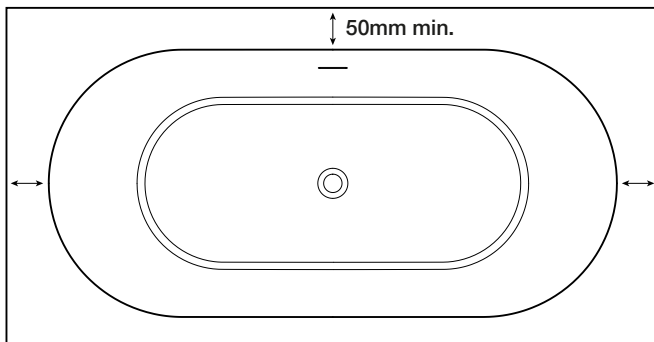
### Safety when using Power Tools

- Before drilling into walls or cutting floorboards check for hidden electrical cables, wires and water pipes.
- Ensure to wear the correct PPE especially, eye, ear and hand protection.
- Unplug any mains equipment after use and keep electrical equipment away from sources of water at all times.

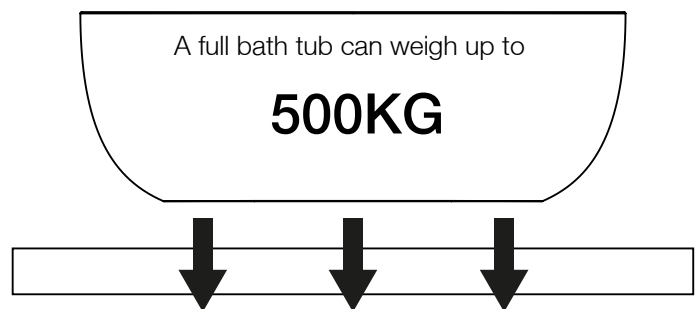
**Please note:** the bath tub pictured in the following fitting instructions is indicative only. The bath tub being fitted may differ in appearance and proportions.

## 1 Preparing the Installation Area

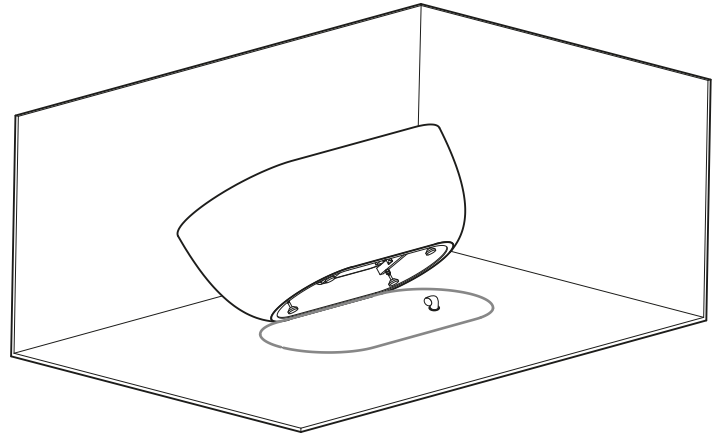
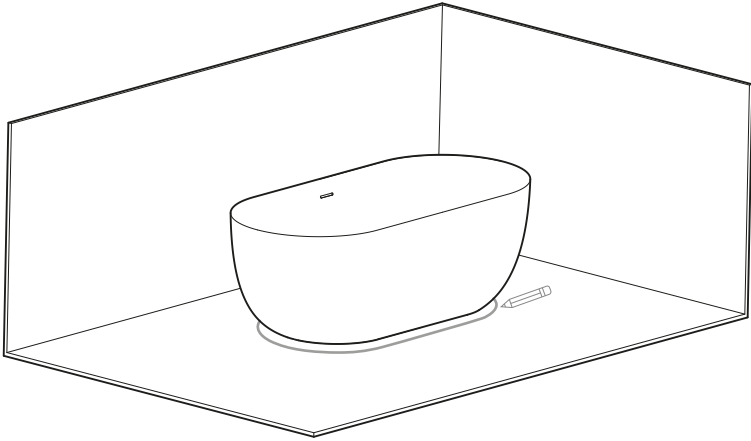
This bath tub is not designed to be fitted by a wall. Ensure there is a minimum clearance distance of 50mm between all walls.



When the bath is being installed on a suspended wooden floor, ensure that the floor is strong enough to carry the weight of a water filled tub. Do not assume the floor is strong enough and use a structural engineer to perform a risk assessment if required. See the product datasheet for the overall capacity of your bath.

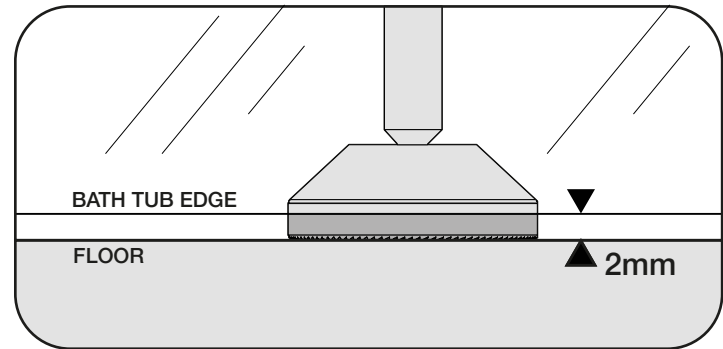
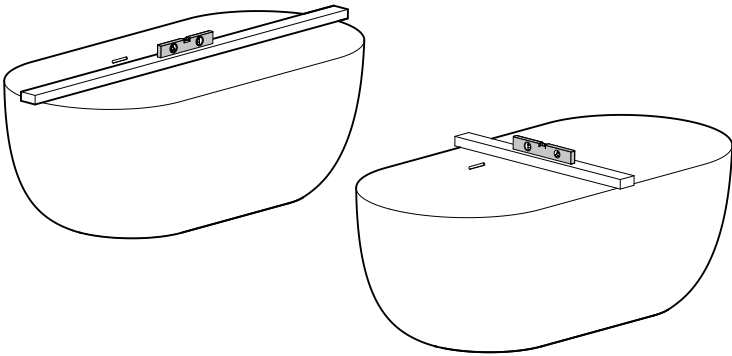


Unpackage and place the bath in its intended position. Draw a pencil line around the footprint of the bathtub and ensure that the position of the waste and intended position of the bath tub are compatible and that the intended position of the pipework will not be blocked by any internal structures of the bathtub.



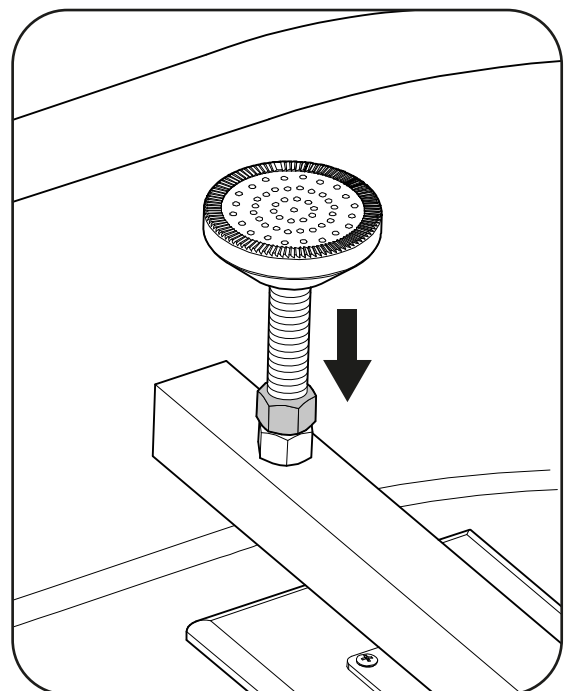
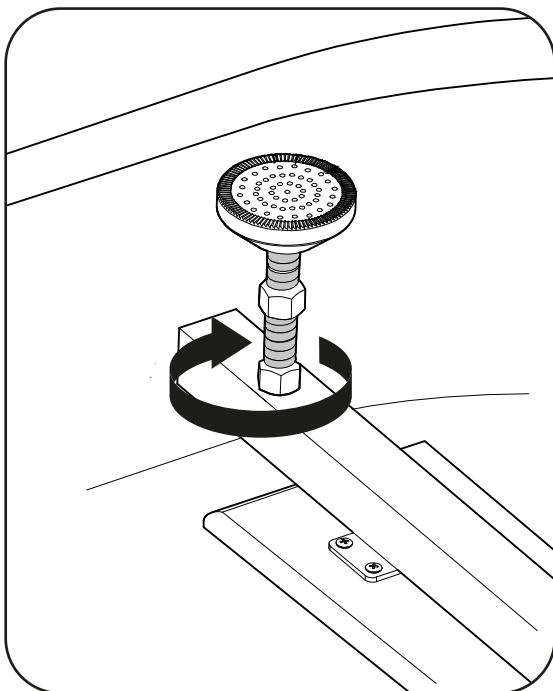
## 2 Levelling

With the bath tub in position, use a large spirit level to ensure the bath tub is level across the width and length of the tub and adjusting the levelling feet under the bath tub to suit. For all bath tubs ensure that the base of tub is not sloping away from the waste hole. Ensure that a gap of approximately 2mm is left between the floor and the bottom face of the bath tub when the adjustment is complete.



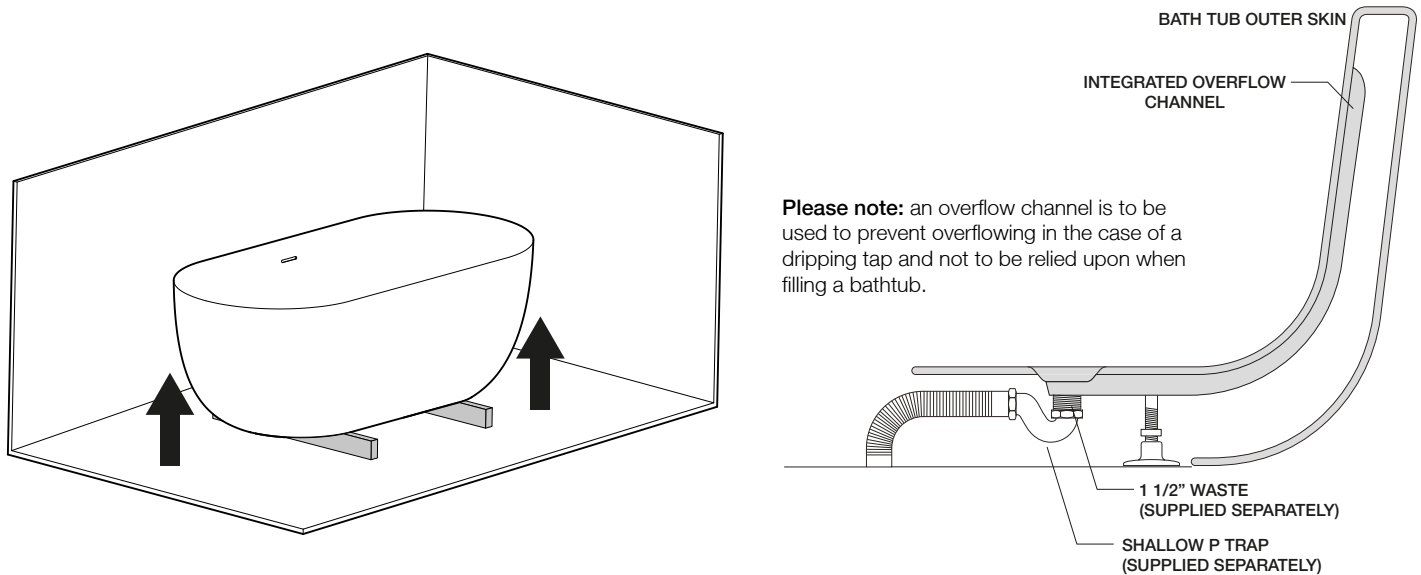
The height of the feet can be adjusted by screwing the threaded bar in and out of the supporting rail. The feet have a ball socket to help aid the levelling process

Once the correct height of the feet is found, ensure that the locking nut is tightened to secure the feet in place.



### 3 Making Plumbing Connections

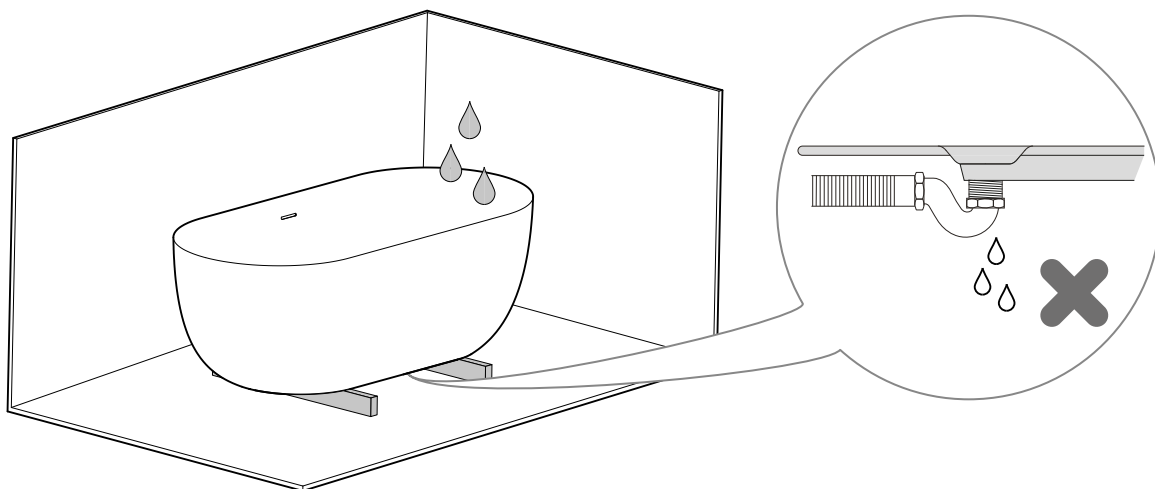
It is recommended to temporarily place a small plinth under each end of the bath to offer better access to plumbing connections at this stage.



Each bath tub is manufactured with an integrated overflow channel and requires a slotted bath waste with 1 1/2" BSP, supplied separately. A low profile P-trap will be required for use with the bath and a 40mm flexible pipe may be required to make the connection between the P-trap and the waste, dependant upon the position of the waste pipe. All plumbing fittings must be purchased separately and must be suitable for the specific requirements of the installation.

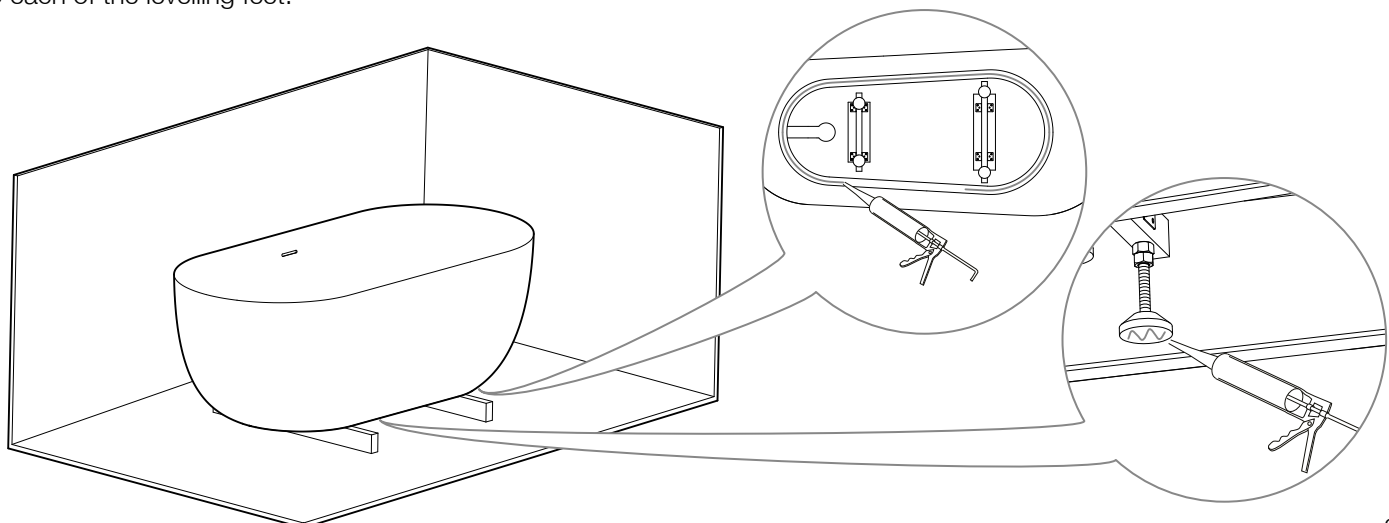
### 4 Testing Plumbing Connections

Whilst the bath is still on the plinths, pour water into the bath, with the waste open and check to see if there are any leaks from the plumbing connections. It is also recommended to check the connection of the click waste. This can be done by slightly filling up the bath with the click waste closed and checking to see whether any water drains from the bath unexpectedly.

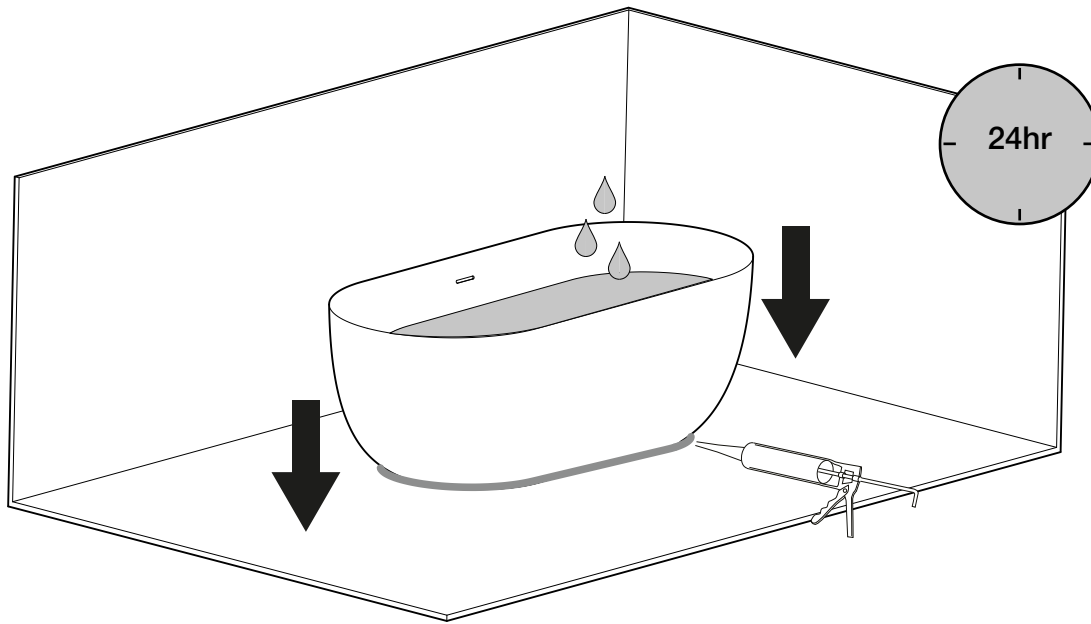


### 5 Fixing

Once the plumbing connections have been checked, silicone sealant should be applied evenly around the base of the bath and onto each of the levelling feet.



The bath can then be lowered back into position to bond with the floor. The 2mm gap left between the base of the tub and the floor should also be sealed using a silicon sealant. Filling the bath tub is recommended to form a solid bond.



Leave the bath tub for 24 hours before use to allow the sealant to cure fully.

## Aftercare Instructions



To preserve the finish of your bath tub, clean with a soft cloth and warm soapy water.



Do **NOT** scrub or scour



Do **NOT** use abrasive cleaning agents. Take care using any solvents around the bath, paint stripper and nail polish will damage the bath.



Do **NOT** stand in the bath with shoes on, especially shoes with heels.



Ensure that there are no constant drips from the bath filler as this could lead to limescale build up on the bath surface



Do **NOT** sit or lean on the edge of the bath tub.