

Installation and Aftercare Instructions

Please read completely first before commencing and retain for future reference

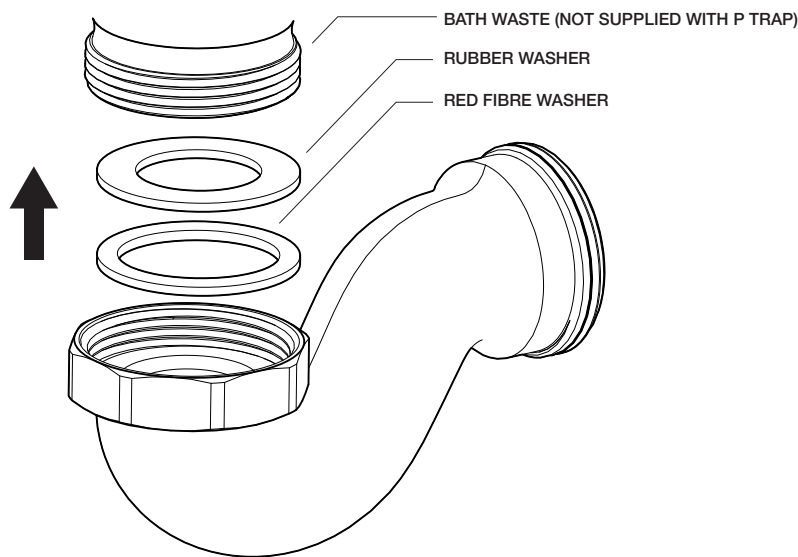
⚠ WARNINGS ⚠

- This product must be installed by a qualified fitter or plumber in accordance with and meet the requirements of Water Supply (Water Fittings) Regulations 1999, the Water Supply (Water Fittings) (Scotland) Byelaws 2014 and the Water Supply (Water Fittings) Regulations (Northern Ireland) 2009.

- Prior to installation please ensure that your plumbing system is adequate and that you have sufficient space to complete the installation.

- Prior to installation we recommend a visual inspection of the product to ensure there are no manufacturing defects or damage during transit.

1 Make Connection to Bath Waste

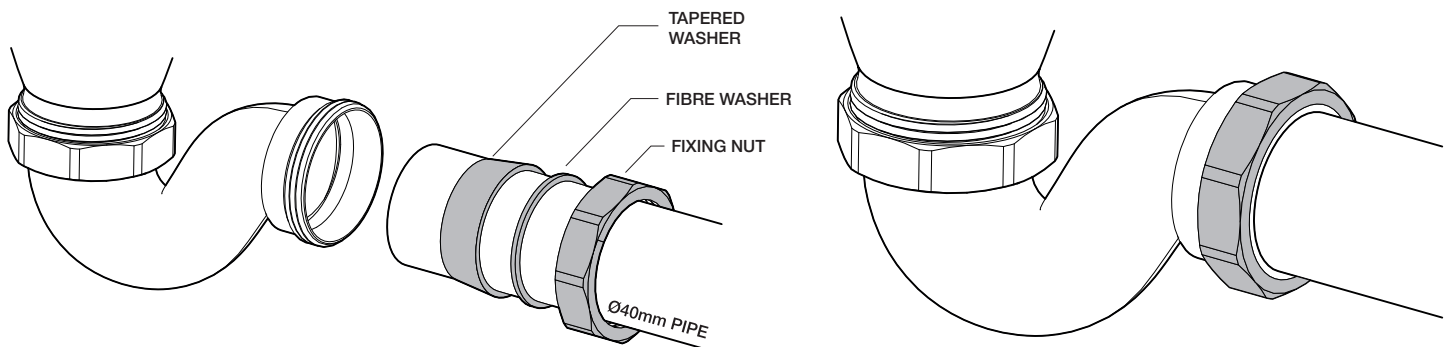


The P Trap can be connected to any waste fitting that has a 1 1/2" BSP screw fit connection.

Ensure to use the washers provided as required for the installation and any extra PTFE tape required to the thread of the bath waste.

Note: To aid with installation, two washers are provided. Please use one of the fibre or rubber washers depending upon the type of connection.

2 Make Connection to Waste Pipe



The P Trap can be connected to any 40mm waste pipe using the compression fitting. Place the black nylon into the locking nut and feed them over the 40mm pipe. Place the rubber washer over the 40mm pipe with the taper on the rubber washer facing into the P Trap so the narrow end is closer to the end of the pipe, as shown above.

Tighten the locking nut onto the P Trap to form a seal. To ensure that all plumbing connections are free from leaks, pour water into the bath, with the click waste open and check to see if there are any leaks from the plumbing connections.

Aftercare Instructions



To preserve the finish of your bath tub, clean with a soft cloth and warm soapy water.



Do **NOT** scrub or scour



Do **NOT** use abrasive cleaning agents. Take care using any solvents around the bath, paint stripper and nail polish will damage the bath.