

Installation and Aftercare Instructions

Please read completely first before commencing and retain for future reference

⚠ WARNINGS ⚠

- This product must be installed by a qualified fitter or plumber in accordance with and meet the requirements of Water Supply (Water Fittings) Regulations 1999, the Water Supply (Water Fittings) (Scotland) Byelaws 2014 and the Water Supply (Water Fittings) Regulations (Northern Ireland) 2009.
- Prior to installation please ensure that your plumbing system is adequate and that you have sufficient space to complete the installation.
- Prior to installation we recommend a visual inspection of the product to ensure there are no manufacturing defects or damage during transit.

- Turn off water supply before commencing with installation.

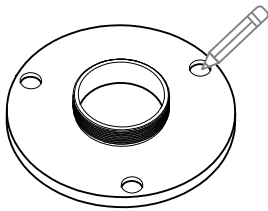
Safety when using Power Tools

- Before drilling into wall, check for hidden electrical cables, wires and water pipes.
- Ensure to wear the correct PPE especially, eye, ear and hand protection.
- Unplug any mains equipment after use and keep electrical equipment away from sources of water at all times.

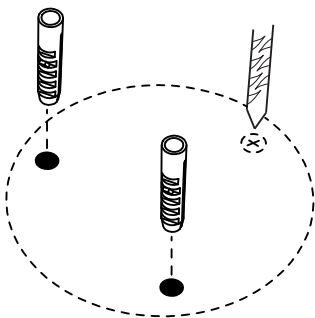
1 Prepare connections

B

Using the bases, mark the positions for the floor fixing screws on the floor by marking with a pencil through the three fixing holes.

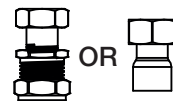
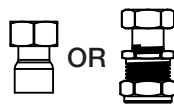
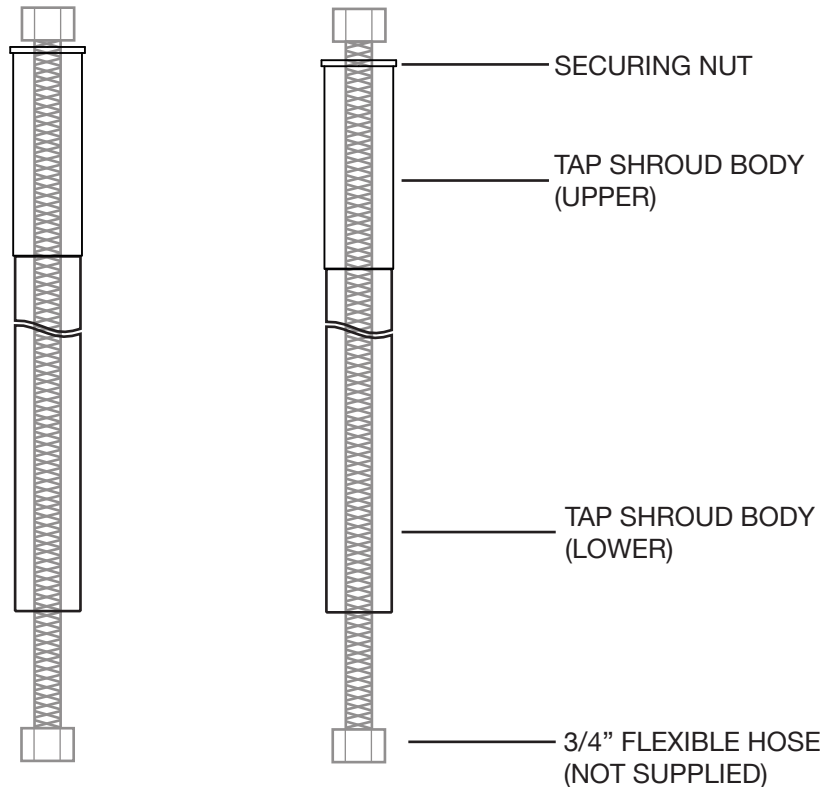


Drill the holes as marked and insert plugs provided as necessary. Connect 3/4" flexible tubes - not provided - to the two water inlet pipes that are long enough to connect to the bath filler. Ensure to check there are no leaks in the connections before proceeding.

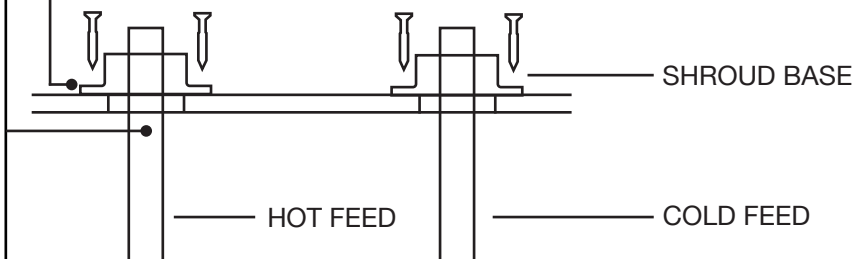


A

Build up two water inlet pipes from the floor. Ensure that the hot feed is on the left and the cold feed on the right, as shown above. A compression fitting and welding ring connector are both provided to help create the connections to suit a 3/4" flexible hose. Prior to installation of the tap shrouds, the position of the bath tub should already be determined.

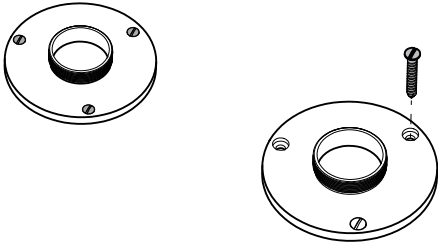


SOLDER RING CONNECTOR OR COMPRESSION FITTING



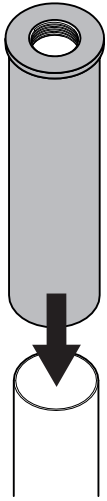
2 Fix bases

Using the screws provided, screw through the holes in the shroud base and into the plugs.



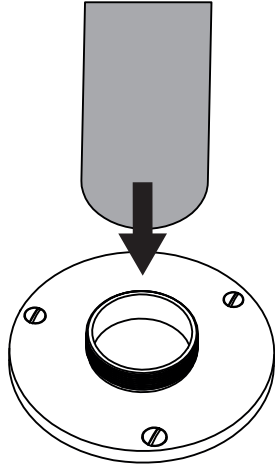
3 Connect shroud body

Slide the upper body of the tap shroud onto the lower body.



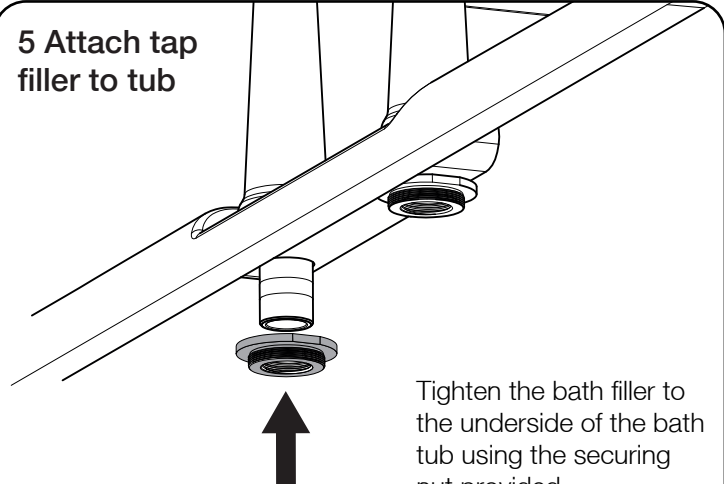
4 Connect body to bases

Screw the lower body onto the fixed bases, ensuring that the connection to the bath filler reaches out beyond the top of the shroud.



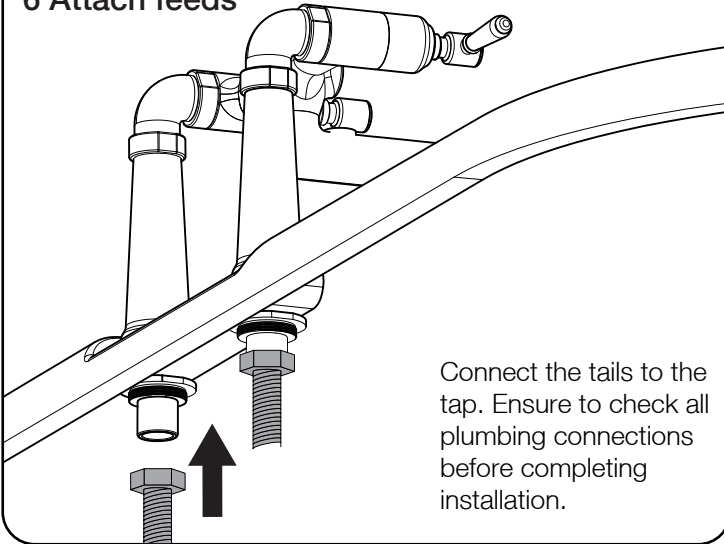
5 Attach tap filler to tub

Tighten the bath filler to the underside of the bath tub using the securing nut provided.



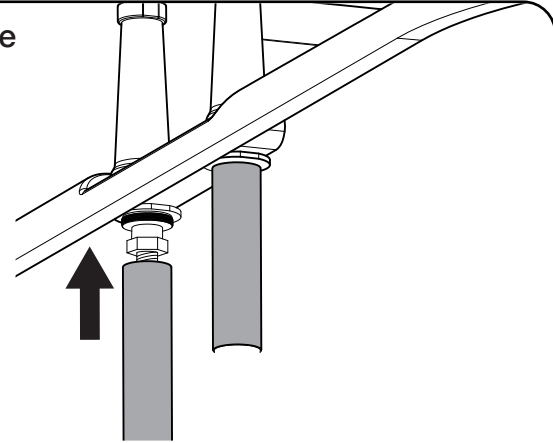
6 Attach feeds

Connect the tails to the tap. Ensure to check all plumbing connections before completing installation.



7 Hide pipe work

Screw the upper body to the underside of the securing nut to cover all plumbing connections.



Aftercare Instructions



To preserve the finish of your bath tub, clean with a soft cloth and warm soapy water.



Do **NOT** scrub or scour



Do **NOT** use abrasive cleaning agents. Take care using any solvents around the bath, paint stripper and nail polish will damage the bath.