

Traditional Freestanding Bath Tubs

Installation and Aftercare Instructions

Please read completely first before commencing and retain for future reference

! WARNINGS !

- This product must be installed by a qualified fitter or plumber in accordance with and meet the requirements of Water Supply (Water Fittings) Regulations 1999, the Water Supply (Water Fittings) (Scotland) Byelaws 2014 and the Water Supply (Water Fittings) Regulations (Northern Ireland) 2009.
- Prior to installation please ensure that your plumbing system is adequate and that you have sufficient space to complete the installation.
- Prior to installation we recommend a visual inspection of bath tub to ensure there are no manufacturing defects or damage during transit.
- Due to the size and weight of the product, a two person lift is required. Please ensure to use proper lifting techniques.
- Do not stand in the bath tub until installation has been completed.

- The bath tubs should not be modified in any way as this will invalidate the warranty.
- When placing the bath tub on it's side or top, ensure suitable protection, such as a mat, is used to prevent the bath from being damaged.

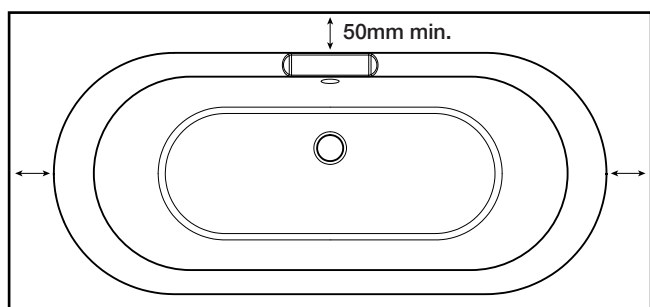
Safety when using Power Tools

- Before drilling into walls or cutting floorboards check for hidden electrical cables, wires and water pipes.
- Ensure to wear the correct PPE especially, eye, ear and hand protection.
- Unplug any mains equipment after use and keep electrical equipment away from sources of water at all times.

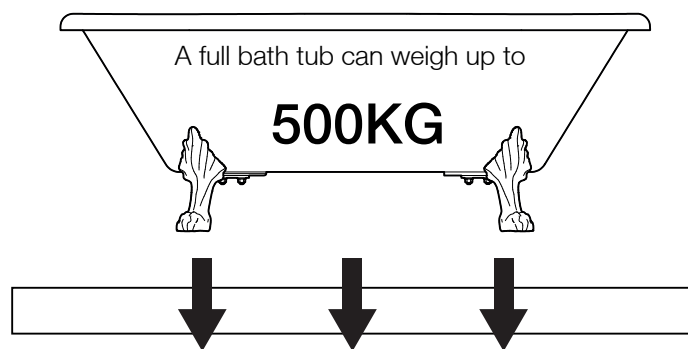
Please note: the bath tub pictured in the following fitting instructions is indicative only. The bath tub being fitted may differ in appearance and proportions.

1 Preparing the Installation Area

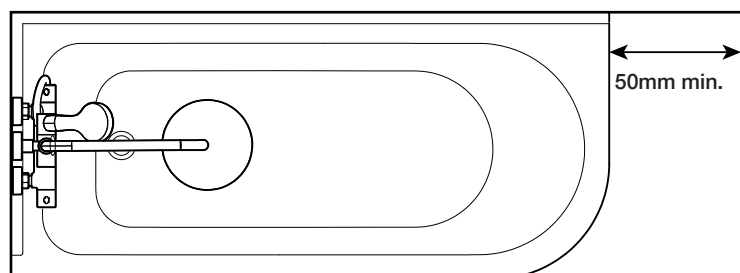
Freestanding bath tubs are not designed to be fitted by a wall. Ensure there is a minimum clearance distance of 50mm between all walls.



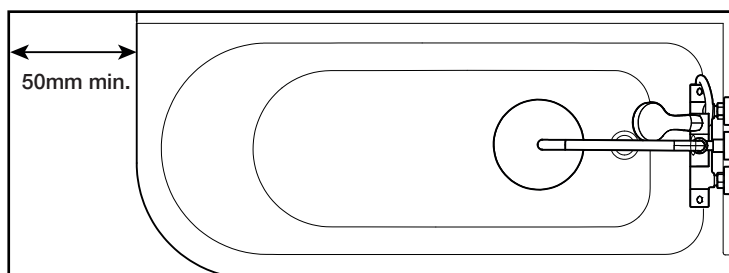
When the bath is being installed on a suspended wooden floor, ensure that the floor is strong enough to carry the weight of a water filled tub. Do not assume the floor is strong enough and use a structural engineer to perform a risk assessment if required. See the product datasheet for the overall capacity of your bath.



Corner freestanding bathtubs are designed to be fitted into the corner of a bathroom. Ensure there is a minimum clearance distance of 50mm between the freestanding end and a wall. Left and right handed options should be selected as required below.

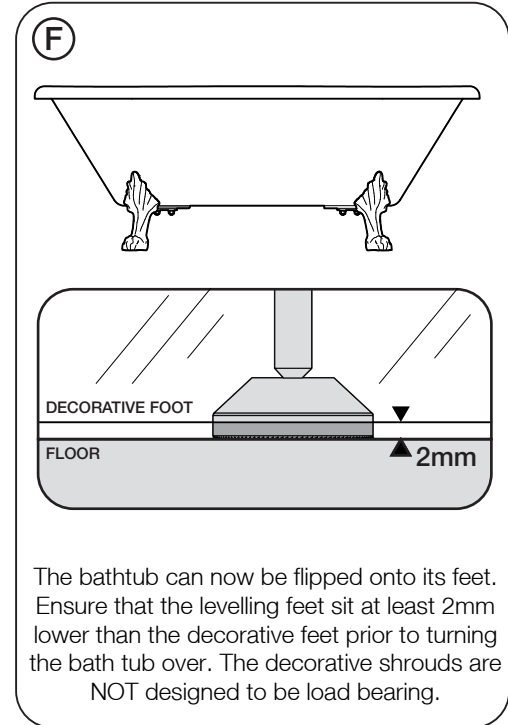
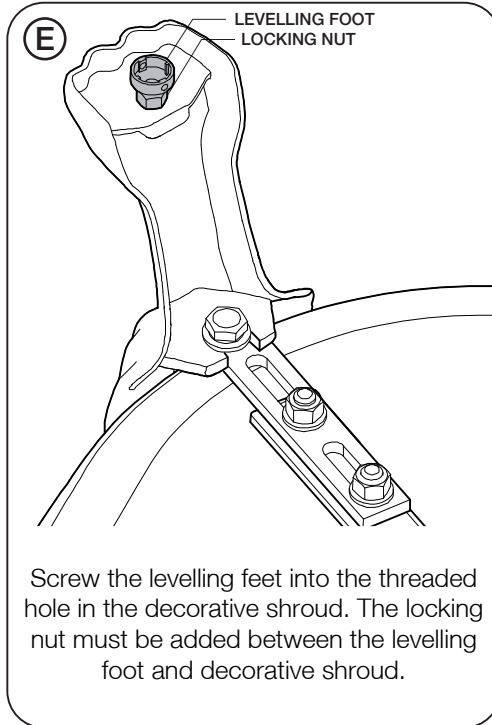
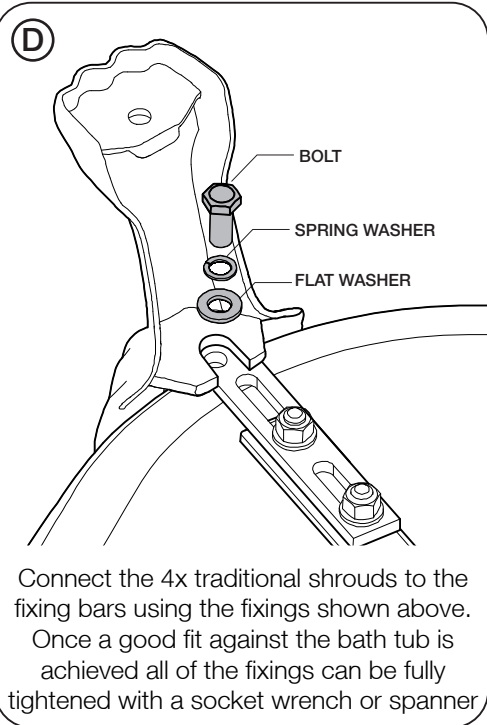
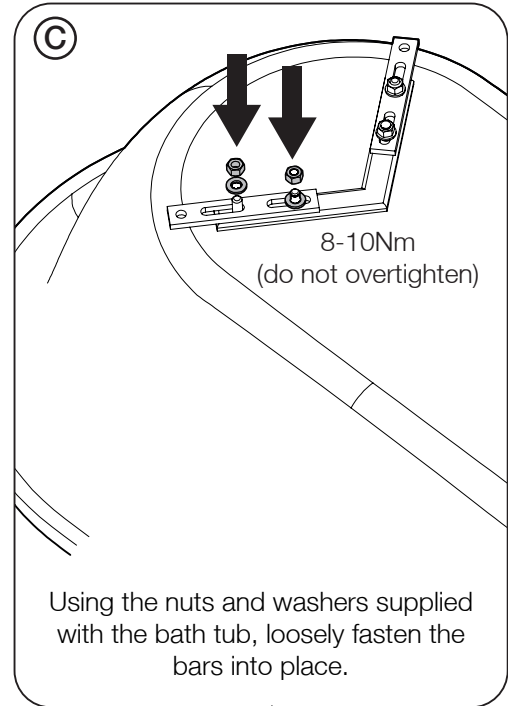
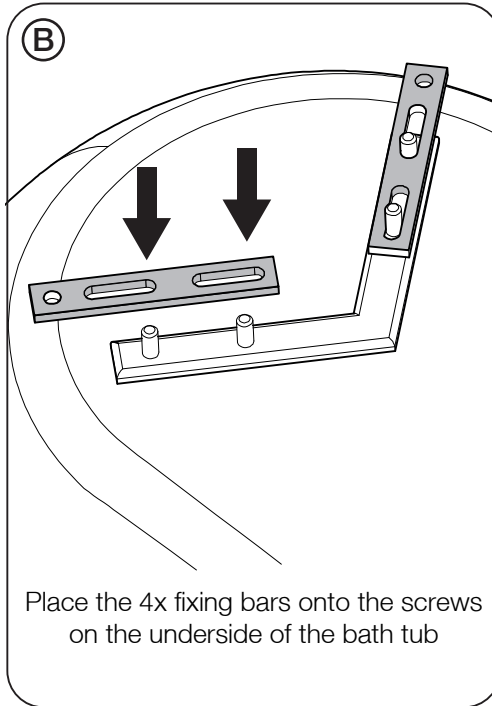
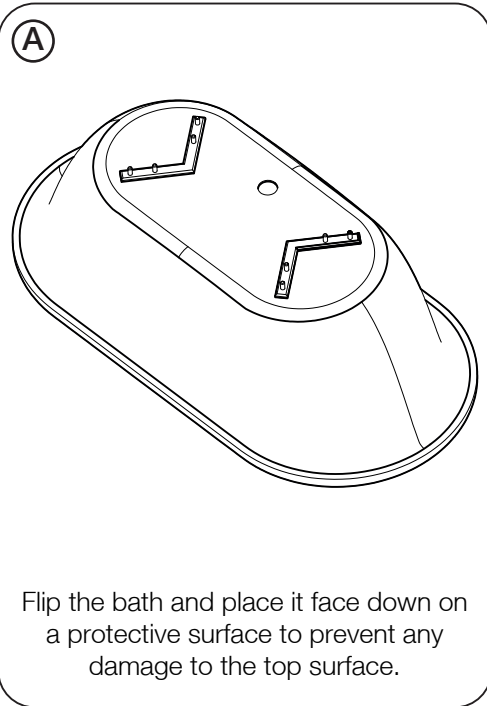


Left Handed Corner Tub



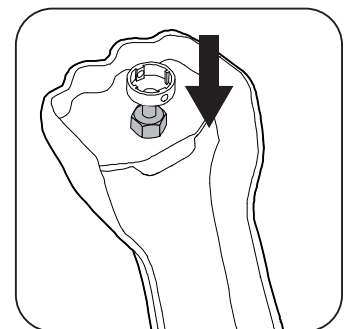
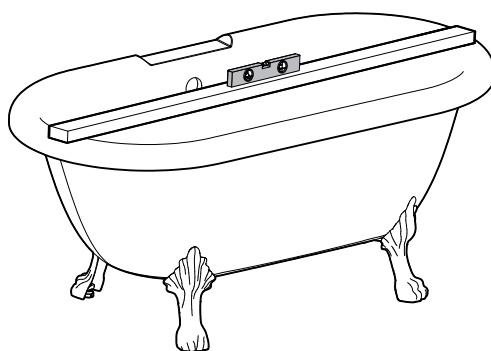
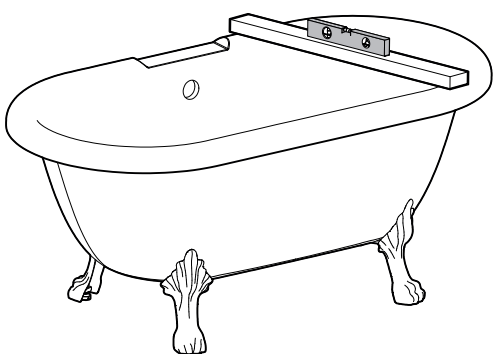
Right Handed Corner Tub

1 Install the Feet



2 Levelling

With the bath tub in position, use a large spirit level to ensure the bath tub is level across the width and length of the tub by adjusting the levelling feet within the outer bath feet.



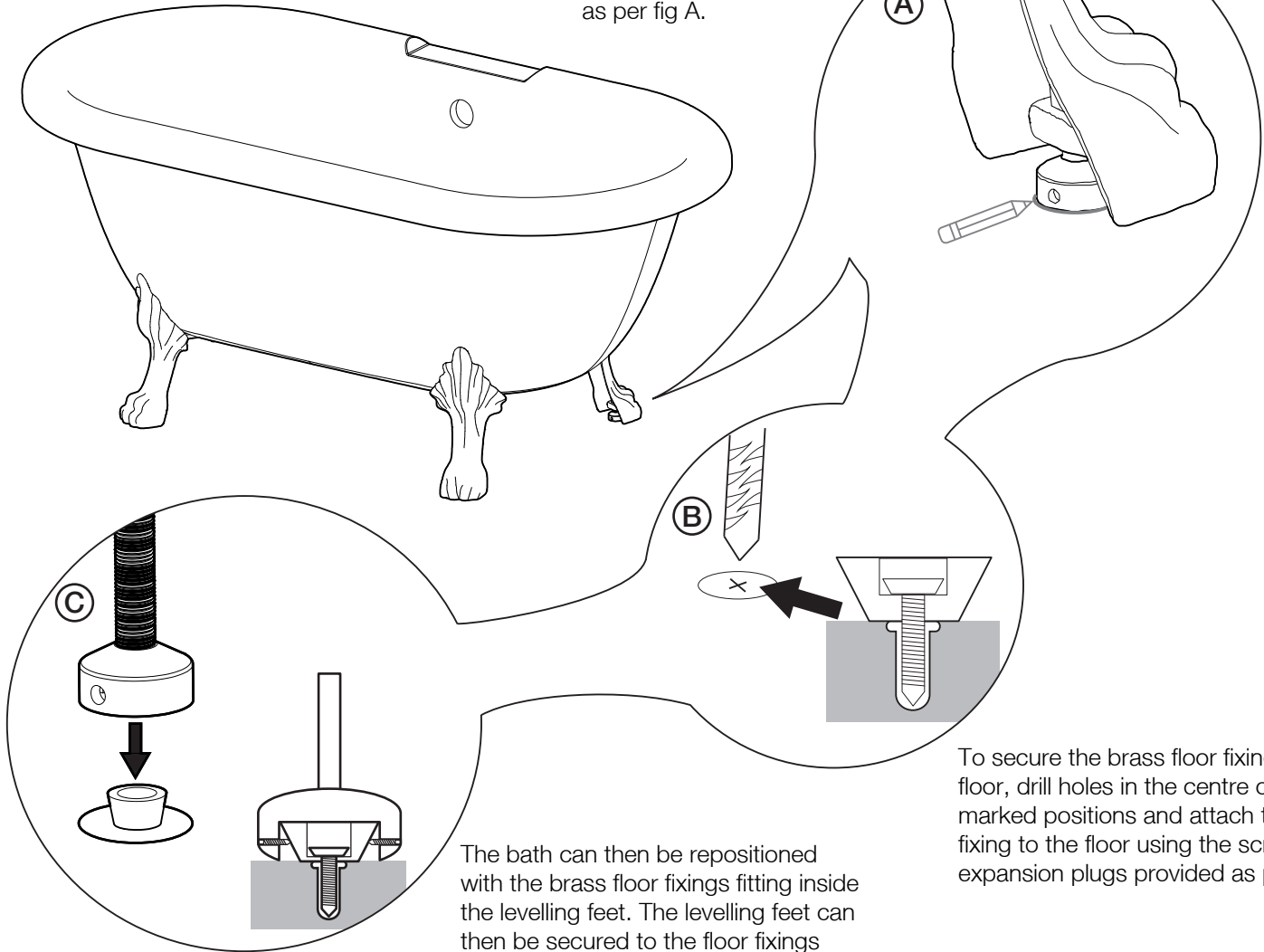
IMPORTANT

Ensure to tighten the locking nuts against the body of the decorative shroud once the bath tub is level

3 Fixing

The bath feet are provided with a floor fixing component that must be connected to the floor to hold the bath tub securely in place.

Position the bath in the intended position in the room and mark around the 4x levelling feet on the floor as per fig A.



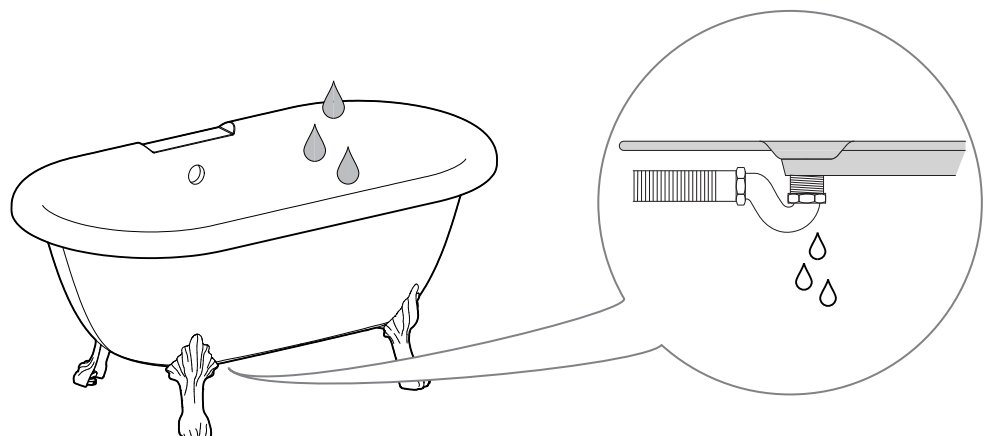
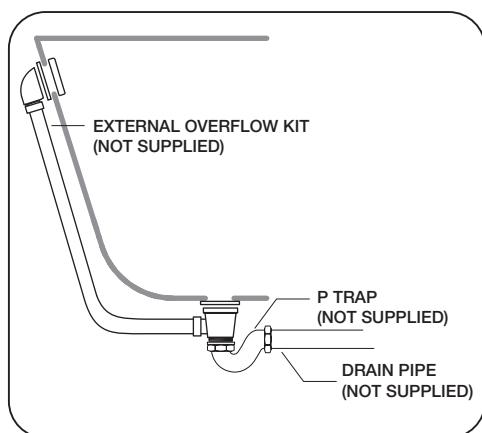
To secure the brass floor fixings to the floor, drill holes in the centre of the marked positions and attach the brass fixing to the floor using the screws and expansion plugs provided as per fig B.

The bath can then be repositioned with the brass floor fixings fitting inside the levelling feet. The levelling feet can then be secured to the floor fixings using the grub screws provided as per fig C.

4 Making the plumbing connections

To complete the plumbing connections, a suitable overflow and waste kit must be connected. To connect the waste of the bath to the floor waste pipe a P-Trap and a 40mm waste pipe should be used. Please note: all plumbing fittings are supplied separately and should be selected based on the requirements of the installation.

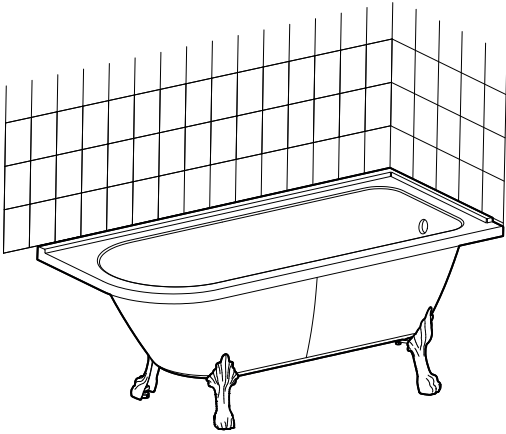
Pour water into the bath with the waste open and check to see if there are any leaks from the plumbing connections. It is also recommended to check the seal of the waste. This can be done by slightly filling up the bath with the waste closed and checking to see whether any water drains from the bath unexpectedly.



6 Tiling

When planning tiling around a bath tub, the weight of the water must be considered. It is advised to fill your bath tub up to around halfway to account for movement of the bath tub height when weight is applied.

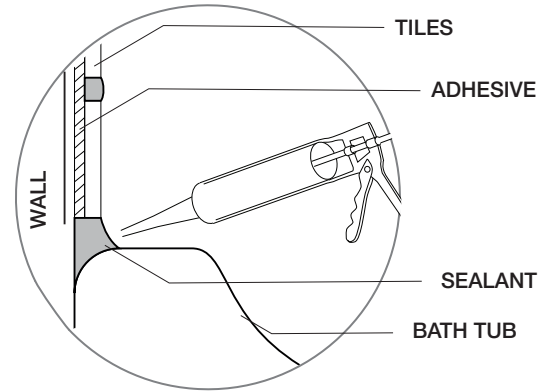
If the tiling is only being added above the bath, tiles can be fitted to end neatly with a small gap between the tiles and the bath tub.



IMPORTANT

When tiling around the bath tub, it is important to leave a small gap between the tiles and the bath to enable sealant to give a water tight seal.

Ensure that the area is dust free and has been cleaned with a degreasing agent before applying sealant. The use of masking tape either side of the joint can help create a clean line.

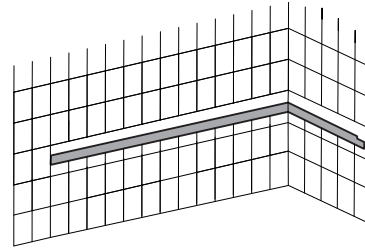


If the tiling is being added to the full height of the wall, the bath tub can be positioned against the tiles.

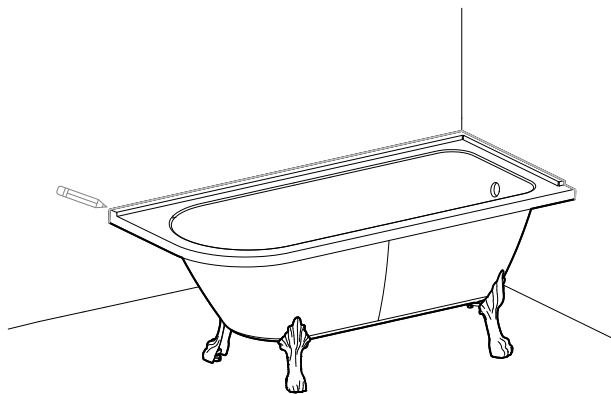
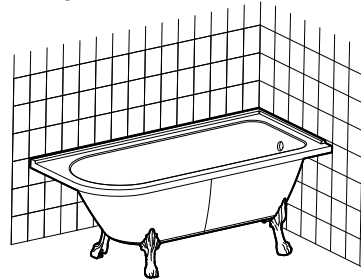
If possible, the following process should be used:

A pencil mark needs to be made around the rim and upstand of the bath tub and then the bath tub can be removed.

The tiling should be added to the wall, except for the final row of tiles ABOVE the bath tub.



The bath should then be replaced and the final row of tiles added above bath tub.



Aftercare Instructions



To preserve the finish of your bath tub, clean with a soft cloth and warm soapy water.



Do **NOT** scrub or scour



Do **NOT** use abrasive cleaning agents. Take care using any solvents around the bath, paint stripper and nail polish will damage the bath.



Do **NOT** stand in the bath with shoes on, especially shoes with heels.



Ensure that there are no constant drips from the bath filler as this could lead to limescale build up on the bath surface



Do **NOT** sit or lean on the edge of the bath tub.