

Technical Data Sheet

Joy Shower Systems



No.	Description	Code	Fixings Included
1	Joy Single Function Shower System	DC3001	YES



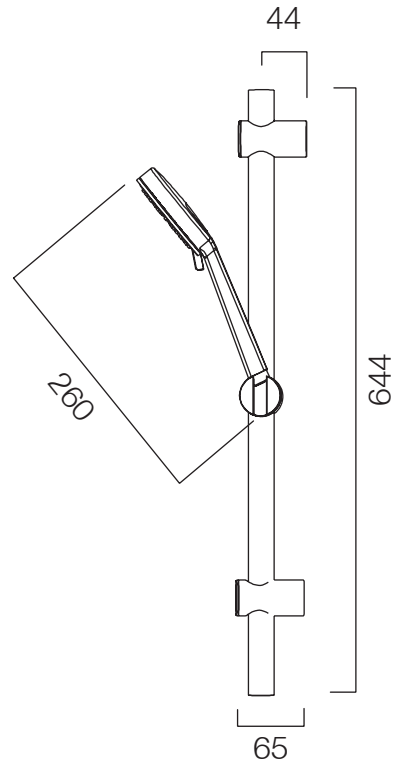
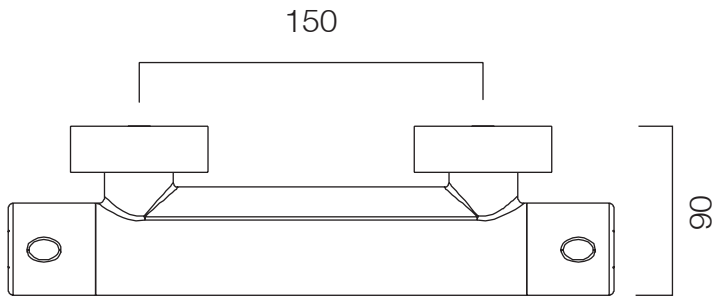
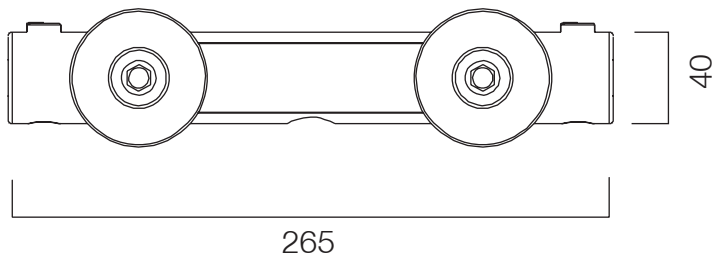
Chrome Plated

FLOW RATE DATA IS TESTED UNDER LABORATORY CONDITIONS: ACTUAL FLOW RATE MAY VARY DEPENDING ON DOMESTIC SUPPLY AND ACCESSORIES

Inlet Pressure	Flow Rate (l/min)
0.2bar	5.50
0.3bar	7.00
0.5bar	8.00
1bar	9.50
2bar	12.50

Dimensions - DC3001

Diagrams not to scale. All dimensions in mm (tolerance of +/-5mm)



FAQs

- How tall is the riser rail?** 644mm, fixing points are adjustable
- How long is the shower hose?** 1.5m
- What is the recommended minimum pressure for the valve?** 0.2bar
- What is the valve inlet connection size?** 3/4" BSP
- What is the valve inlet connection size?** 1/2" BSP

- Materials:**
- Riser** - Stainless Steel
 - Valve** - Chrome Plated Zinc
 - Cover Plates** - Stainless Steel
 - Slider** - Chrome Plated ABS

Technical Data Sheet

Joy Shower Systems

ROPER RHODES[®]
TRADE SOLUTIONS

No.	Description	Code	Fixings Included
1	Joy Eco Single Function Shower System	DC3010	YES



Chrome Plated

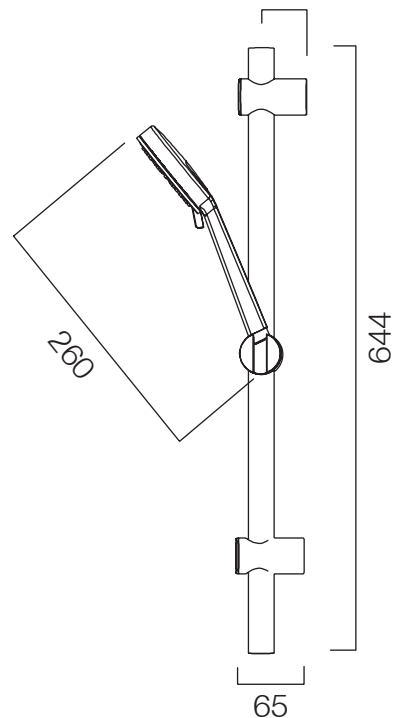
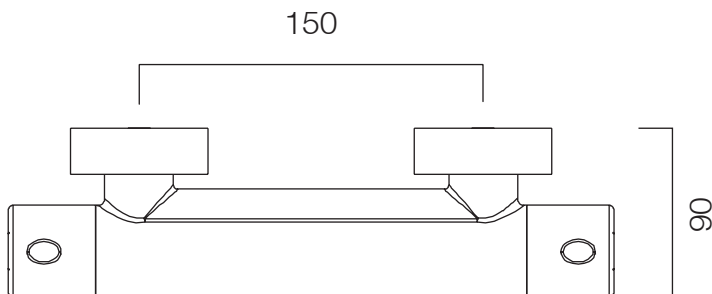
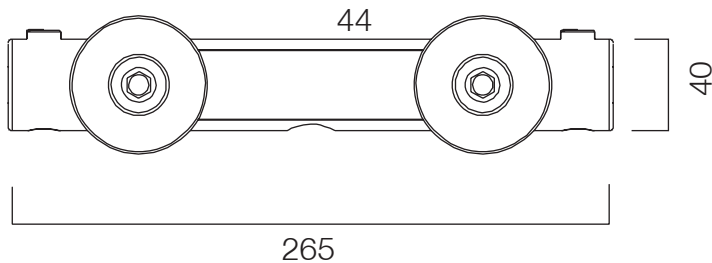
FLOW RATE DATA IS TESTED UNDER LABORATORY CONDITIONS: ACTUAL FLOW RATE MAY VARY DEPENDING ON DOMESTIC SUPPLY AND ACCESSORIES

This system is supplied with a flow limiter and is limited to 6 litres per minute for higher pressures

Inlet Pressure	Flow Rate (l/min)
0.2bar	5.5
0.3bar	6
0.5bar	6
1bar	6
2bar	6

Dimensions - DC3001

Diagrams not to scale. All dimensions in mm (tolerance of +/-5mm)



FAQs

How tall is the riser rail? 644mm, fixing points are adjustable

How long is the shower hose? 1.5m

What is the recommended minimum pressure for the valve? 0.2bar

What is the valve inlet connection size? 3/4" BSP

What is the valve inlet connection size? 1/2" BSP

Materials:

Riser - Stainless Steel

Valve - Chrome Plated Zinc

Cover Plates - Stainless Steel

Slider - Chrome Plated ABS

Technical Data Sheet

Joy Shower Systems

ROPER RHODES[®]
TRADE SOLUTIONS

No.	Description	Code	Fixings Included
1	Joy Dual Function Shower System	DC3002	YES



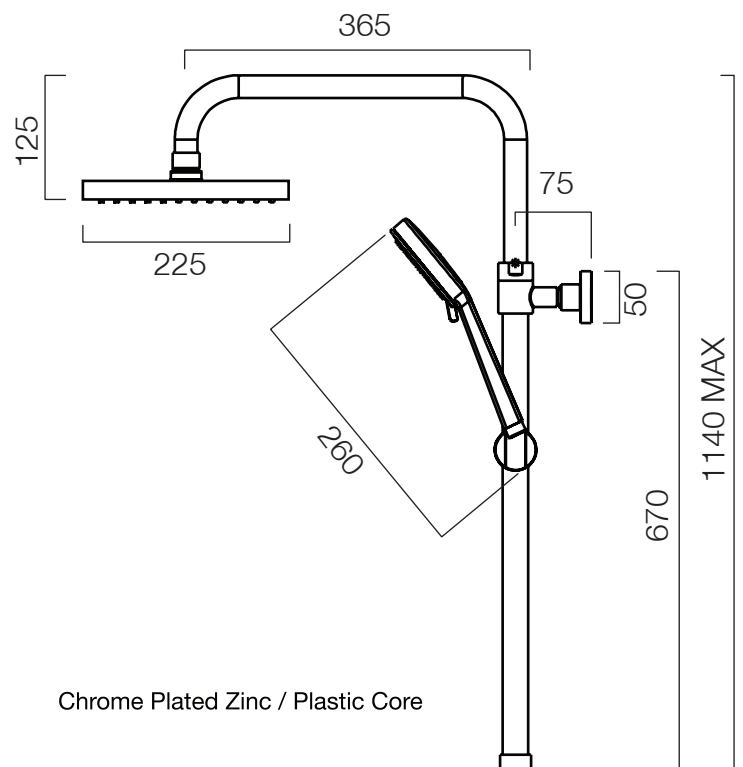
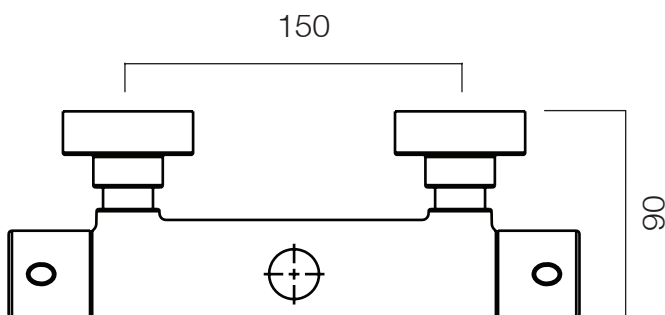
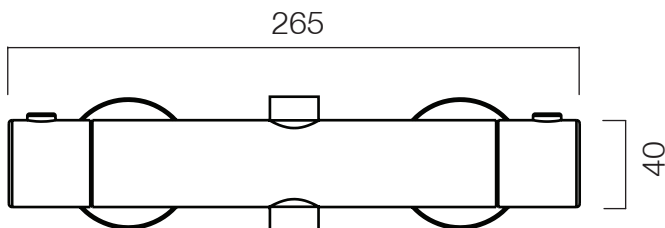
Chrome Plated

FLOW RATE DATA IS TESTED UNDER LABORATORY CONDITIONS: ACTUAL FLOW RATE MAY VARY DEPENDING ON DOMESTIC SUPPLY AND ACCESSORIES

Inlet Pressure	Flow Rate (l/min)
0.5bar	7.00
1bar	8.5
2bar	11.5

Dimensions - DC3002

Diagrams not to scale. All dimensions in mm (tolerance of +/-5mm)



Chrome Plated Zinc / Plastic Core

FAQs

How tall is the riser rail? Adjustable height - maximum 1140mm

How long is the shower hose? 1.5m

What is the recommended minimum pressure for the valve? 0.5bar

What is the valve inlet connection size? 3/4" BSP

What is the valve inlet connection size? 1/2" BSP

Riser - Stainless Steel

Valve - Chrome Plated Zinc

Cover Plates & Hose - Stainless Steel

Slider - Chrome Plated ABS

Head & Handset - Chrome Plated ABS

Technical Data Sheet

Joy Shower Systems



No.	Description	Code	Fixings Included
1	Joy Eco Dual Function Shower System	DC3009	YES



Chrome Plated

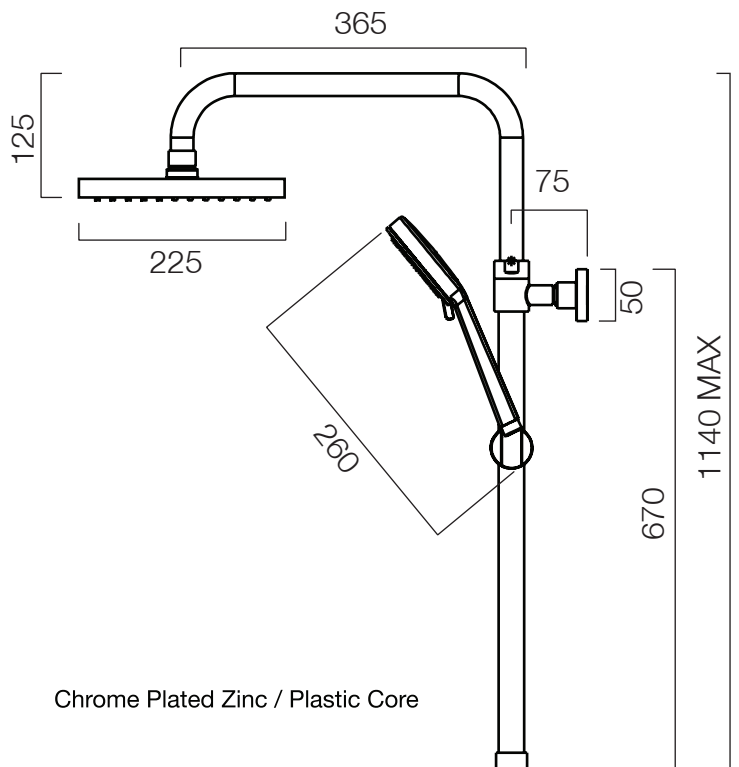
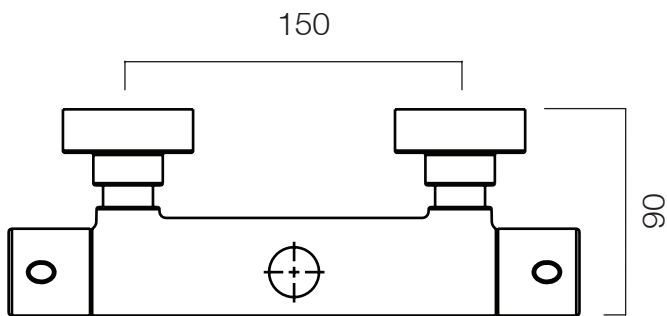
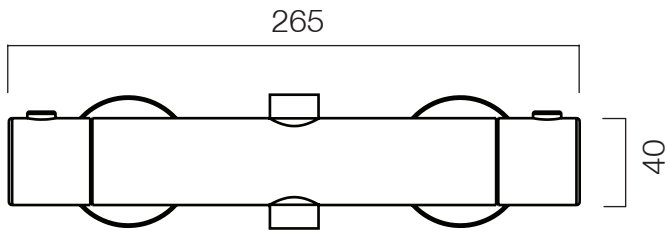
FLOW RATE DATA IS TESTED UNDER LABORATORY CONDITIONS: ACTUAL FLOW RATE MAY VARY DEPENDING ON DOMESTIC SUPPLY AND ACCESSORIES

This system is supplied with a flow limiter and is limited to 6 litres per minute for all pressures

Inlet Pressure	Flow Rate (l/min)
Min 0.5bar	6
1bar	6
2bar	6

Dimensions - DC3009

Diagrams not to scale. All dimensions in mm (tolerance of +/-5mm)



Chrome Plated Zinc / Plastic Core

FAQs

- How tall is the riser rail?** Adjustable height - maximum 1140mm
- How long is the shower hose?** 1.5m
- What is the recommended minimum pressure for the valve?** 0.5bar
- What is the valve inlet connection size?** 3/4" BSP
- What is the valve inlet connection size?** 1/2" BSP

- Riser** - Stainless Steel
- Valve** - Chrome Plated Zinc
- Cover Plates & Hose** - Stainless Steel
- Slider** - Chrome Plated ABS
- Head & Handset** - Chrome Plated ABS

Technical Data Sheet

Shower Systems

ROPER RHODES[®]
TRADE SOLUTIONS

No.	Description	Code	Fixings Included
1	Joy Single Function Push Button Shower System	DC3003	YES



Chrome Plated

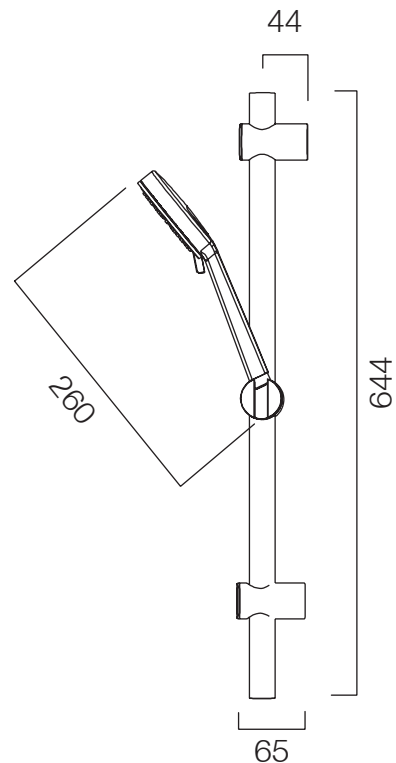
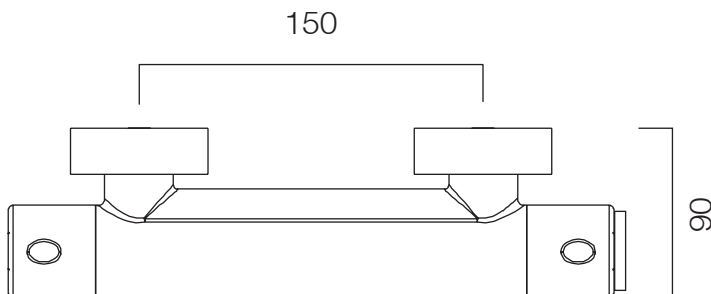
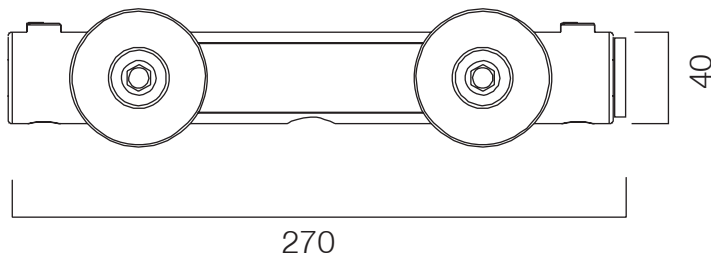
Inlet Pressure	Flow Rate (l/min)
0.2bar	3.7
0.3bar	4.5
0.5bar	7
1bar	10
2bar	14
3bar	18

Flow from valve may vary depending on accessories and domestic supply.

Dimensions - Overview

Diagrams not to scale. All dimensions in mm (tolerance of +/-5mm)

Diagrams not to scale. All dimensions in mm (tolerance of +/-5mm)



FAQs

How tall is the riser rail? 644mm, fixing points are adjustable

How long is the shower hose? 1.5m

What is the recommended minimum pressure for the valve? 0.2BAR

What is the valve connection size? 3/4" threaded inlets / 1/2" threaded outlet

Materials:

Riser - Stainless Steel

Valve - Chrome Plated Zinc

Cover Plates - Stainless Steel

Slider - ABS

Technical Data Sheet

Shower Systems



No.	Description	Code	Fixings Included
1	Joy Dual Function Push Button Shower System	DC3004	YES

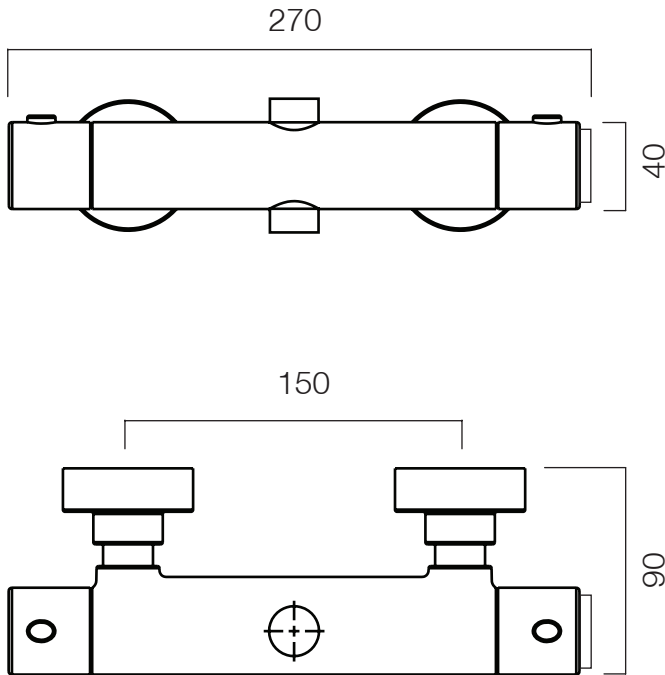


Inlet Pressure	Flow Rate (l/min)
0.2bar	4
0.3bar	5.5
0.5bar	7
1bar	11
2bar	14
3bar	20

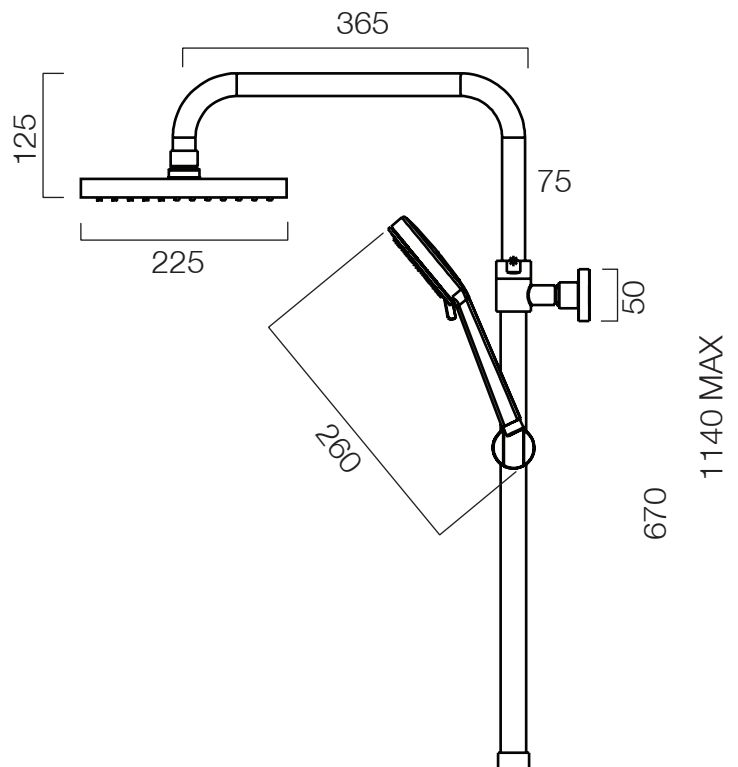
Flow from valve may vary depending on accessories and domestic supply.

Dimensions - Overview

Diagrams not to scale. All dimensions in mm (tolerance of +/-5mm)



Diagrams not to scale. All dimensions in mm (tolerance of +/-5mm)



FAQs

- How tall is the riser rail?** Adjustable height - maximum 1140mm
- How long is the shower hose?** 1.5m
- What is the recommended minimum pressure for the valve?** 0.5BAR
- What is the valve connection size?** 3/4" threaded inlets / 1/2" threaded outlet

- Materials:**
- Riser** - Stainless Steel
 - Valve** - Chrome Plated Brass
 - Cover Plates** - Stainless Steel
 - Slider** - ABS

Technical Data Sheet

Shower Systems

ROPER RHODES[®]
TRADE SOLUTIONS

No.	Description	Code	Fixings Included
1	Joy Dual Function Shower System - Black	TR3038	YES



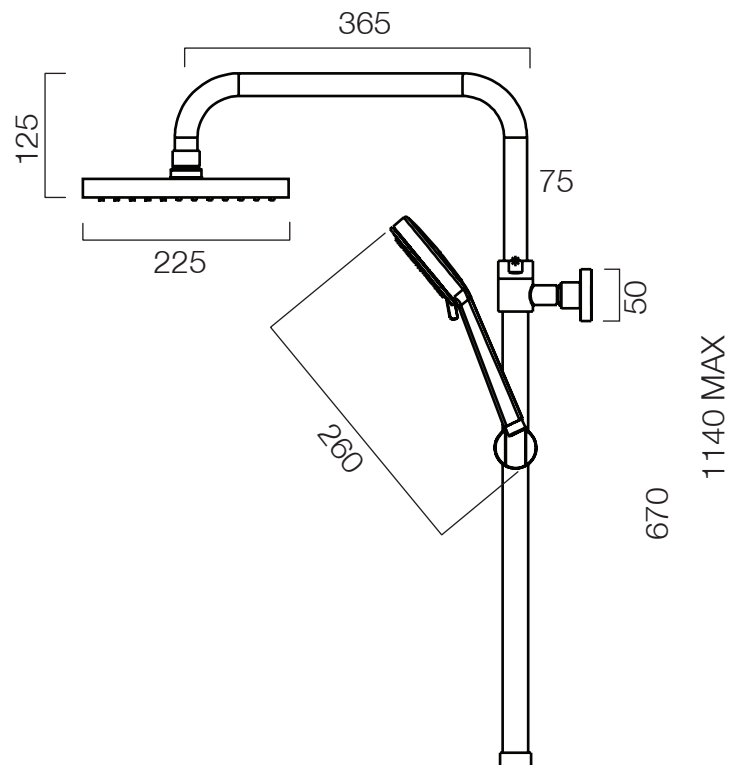
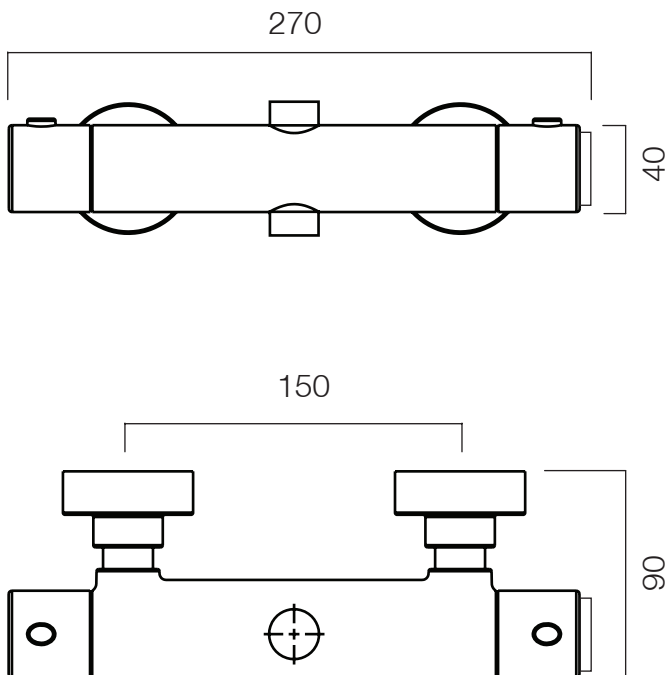
Chrome Plated

FLOW RATE DATA IS TESTED UNDER LABORATORY CONDITIONS: ACTUAL FLOW RATE MAY VARY DEPENDING ON DOMESTIC SUPPLY AND ACCESSORIES

Inlet Pressure	Flow Rate (l/min)
0.2bar	4
0.3bar	5.5
0.5bar	7
1bar	11
2bar	14
3bar	20

Dimensions - Overview

Diagrams not to scale. All dimensions in mm (tolerance of +/-5mm)



FAQs

How tall is the riser rail? Adjustable height - maximum 1140mm

How long is the shower hose? 1.5m

What is the recommended minimum pressure for the valve? 0.5BAR

What is the valve connection size? 3/4" threaded inlets / 1/2" threaded outlet

Materials:

Riser - Stainless Steel - Electroplated

Valve - Brass (Electroplated)

Cover Plates - Stainless Steel (Electroplated)

Slider - ABS (Electroplated)

Handset - ABS (Electroplated)

Shower Head - ABS (Electroplated)