

Technical Data Sheet

Joy Tall Basin Mixer - TR1016



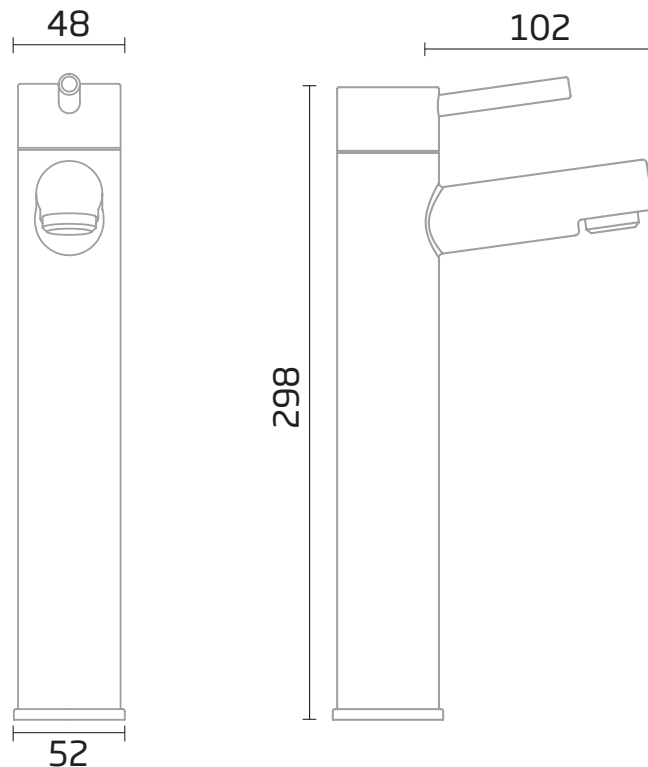
No.	Description	Code	Fixings Included
1	Joy Tall Basin Mixer	TR1016	YES



Min Pressure:	0.3bar
0.2bar	3.5 litres / min
0.3bar	4.5 litres / min
0.4bar	5.3 litres / min
0.5bar	6 litres / min
1bar	8.7 litres / min
2bar	12.5 litres / min
3bar	15.5 litres / min

Dimensions - TR1016

Diagrams not to scale. All dimensions in mm (tolerance of +/-5mm)



*Dimensions are subject to change, customers are advised to measure actual product before commencing installation.

FAQs

What is the size of the tap tail connection? The tap tails have a standard 15mm pipe compression fitting

What bore is the tap tail? The tails have a 10mm internal bore.

What length are the tap tails? The tails are 300mm in length.

Does the tap come fitted with an aerator? Yes, the aerator comes pre-installed but can be replaced.