

# Technical Data Sheet

Joy Basin Mixer - TR1002



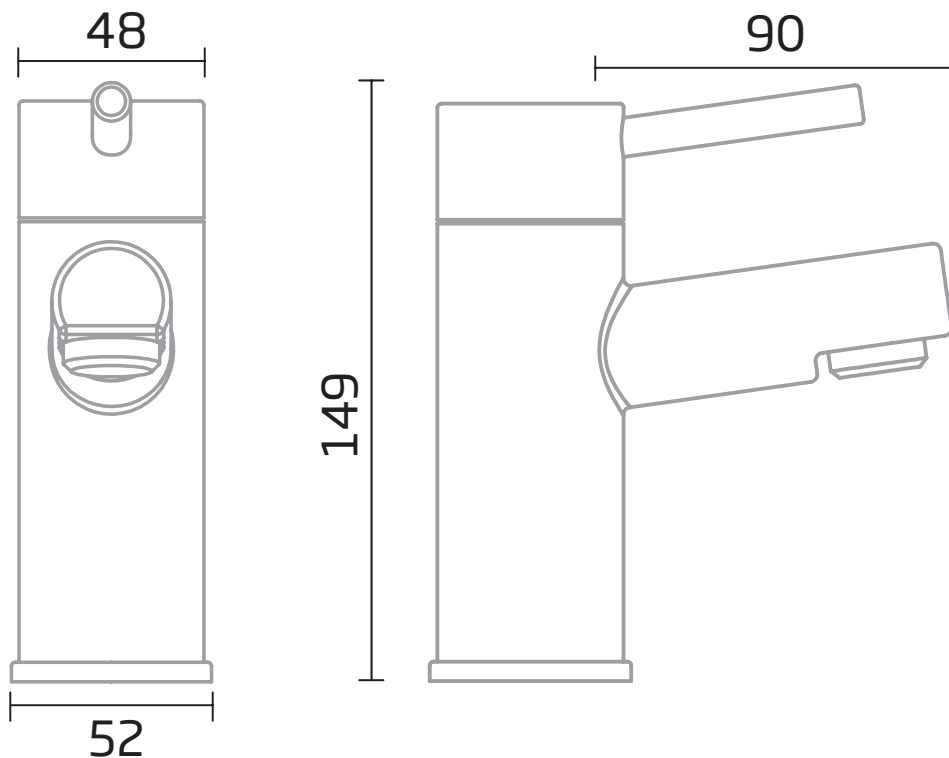
No.	Description	Code	Fixings Included
1	Joy Basin Mixer	TR1062	YES



Min Pressure:	Flow rate
0.2bar	5 litres / min
0.3bar	5.2 litres / min
0.4bar	5.5 litres / min
0.5bar	6.4 litres / min
1bar	8.9 litres / min
2bar	12.6 litres / min
3bar	15.4 litres / min

## Dimensions - TR1002

Diagrams not to scale. All dimensions in mm (tolerance of +/-5mm)



\*Dimensions are subject to change, customers are advised to measure actual product before commencing installation.

## FAQs

**What is the size of the tap tail connection?** The tap tails have a standard 15mm pipe compression fitting

**What bore is the tap tail?** The tails have a 10mm internal bore.

**What length are the tap tails?** The tails are 300mm in length.

**Does the tap come fitted with an aerator?** Yes, the aerator comes pre-installed but can be replaced.