

# Technical Data Sheet

Joy Basin Mixer - TR1002

ROPER RHODES®  
TRADE SOLUTIONS

No.	Description	Code	Fixings Included
1	Joy Basin Mixer	TR1062	YES



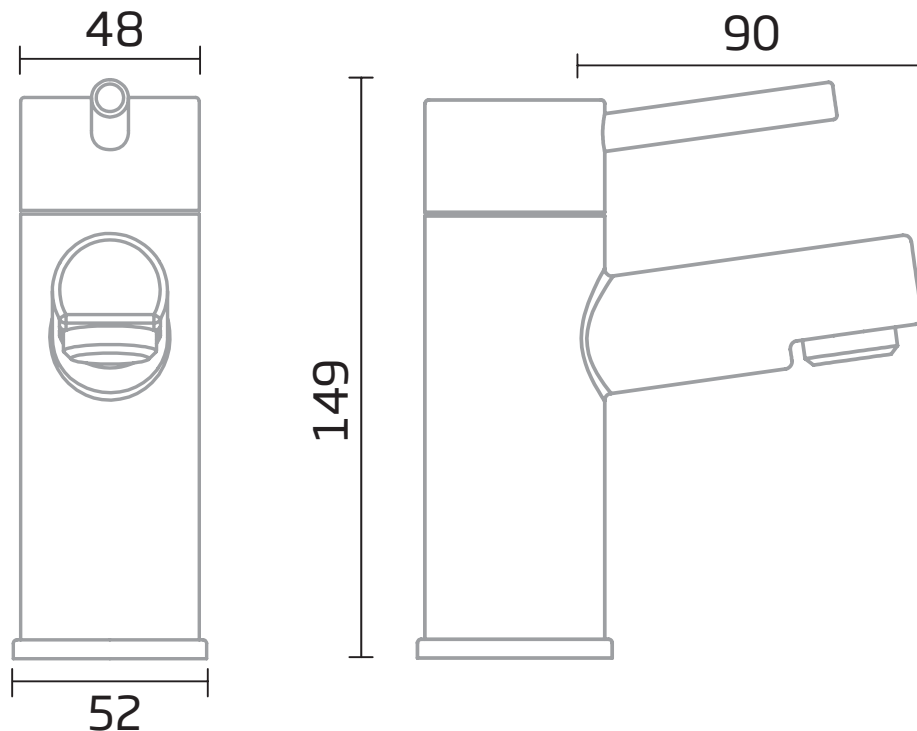
Chrome Plated

**FLOW RATE DATA IS TESTED UNDER LABORATORY CONDITIONS: ACTUAL FLOW RATE MAY VARY DEPENDING ON DOMESTIC SUPPLY AND ACCESSORIES**

Pressure:	Flow rate
0.2bar	5 litres / min
0.3bar	5.2 litres / min
0.4bar	5.5 litres / min
0.5bar	6.4 litres / min
1bar	8.9 litres / min
2bar	12.6 litres / min
3bar	15.4 litres / min

## Dimensions - TR1002

Diagrams not to scale. All dimensions in mm (tolerance of +/-5mm)



\*Dimensions are subject to change, customers are advised to measure actual product before commencing installation.

## FAQs

**What is the size of the tap tail connection?** The tap tails have a standard 15mm pipe compression fitting

**What bore is the tap tail?** The tails have a 10mm internal bore.

**What length are the tap tails?** The tails are 300mm in length.

**Does the tap come fitted with an aerator?** Yes, the aerator comes pre-installed but can be replaced.

**What is the recommended minimum pressure?** 0.2 Bar

# Technical Data Sheet

Joy Tall Basin Mixer - TR1016

ROPER RHODES®  
TRADE SOLUTIONS

No.	Description	Code	Fixings Included
1	Joy Tall Basin Mixer	TR1016	YES



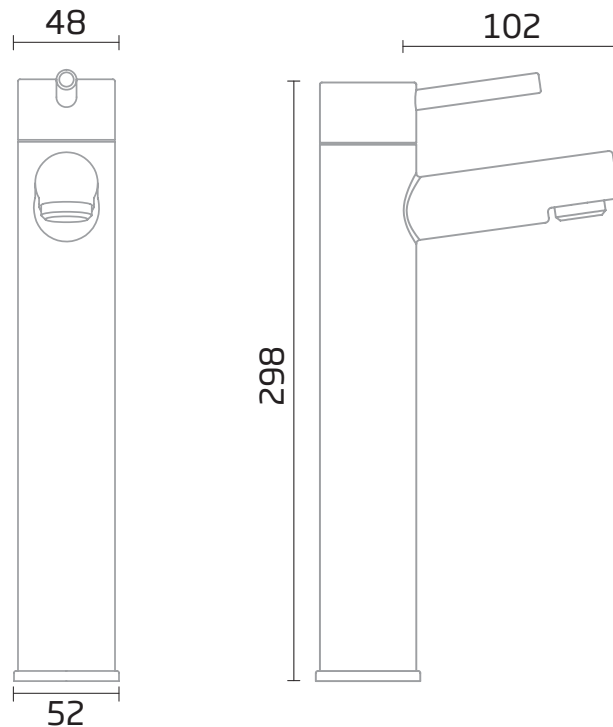
Chrome Plated

**FLOW RATE DATA IS TESTED UNDER LABORATORY CONDITIONS: ACTUAL FLOW RATE MAY VARY DEPENDING ON DOMESTIC SUPPLY AND ACCESSORIES**

Pressure:	Flow Rate:
0.2bar	3.5 litres / min
0.3bar	4.5 litres / min
0.4bar	5.3 litres / min
0.5bar	6 litres / min
1bar	8.7 litres / min
2bar	12.5 litres / min
3bar	15.5 litres / min

## Dimensions - TR1016

Diagrams not to scale. All dimensions in mm (tolerance of +/-5mm)



\*Dimensions are subject to change, customers are advised to measure actual product before commencing installation.

## FAQs

**What is the size of the tap tail connection?** The tap tails have a standard 15mm pipe compression fitting

**What bore is the tap tail?** The tails have a 10mm internal bore.

**What length are the tap tails?** The tails are 300mm in length.

**Does the tap come fitted with an aerator?** Yes, the aerator comes pre-installed but can be replaced.

**What is the recommended minimum pressure?** 0.3 Bar

# Technical Data Sheet

Joy Bath Filler - TR1005

ROPER RHODES®  
TRADE SOLUTIONS

No.	Description	Code	Fixings Included
1	Joy Bath Filler	TR1005	YES

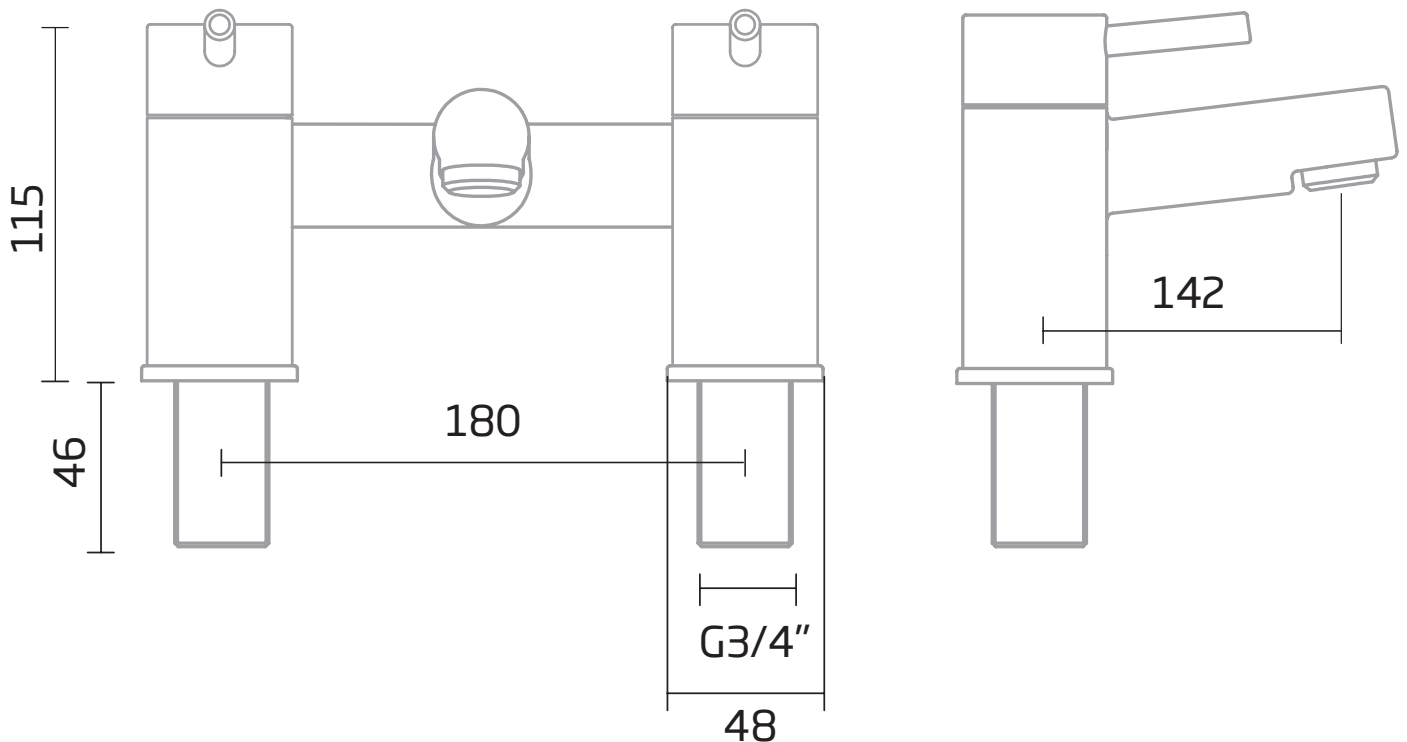


**FLOW RATE DATA IS TESTED UNDER LABORATORY CONDITIONS: ACTUAL FLOW RATE MAY VARY DEPENDING ON DOMESTIC SUPPLY AND ACCESSORIES**

Pressure:	Flow Rate:
0.2bar	14.8 litres / min
0.3bar	15.2 litres / min
0.4bar	16.7 litres / min
0.5bar	18.5 litres / min
1bar	25.7 litres / min
2bar	32.5 litres / min

## Dimensions - TR1005

Diagrams not to scale. All dimensions in mm (tolerance of +/-5mm)



\*Dimensions are subject to change, customers are advised to measure actual product before commencing installation.

## FAQs

**Does the tap come fitted with an aerator?** Yes, the aerator comes pre-installed but can be replaced.

**What size plumbing fittings are needed for the threaded legs?** This product will work with standard 3/4" plumbing fittings.

**What is the recommended minimum pressure?** 0.1 Bar

# Technical Data Sheet

## Joy Bath Shower Mixer - TR1012

ROPER RHODES®  
TRADE SOLUTIONS

No.	Description	Code	Fixings Included
1	Joy Bath Shower Mixer	TR1012	YES



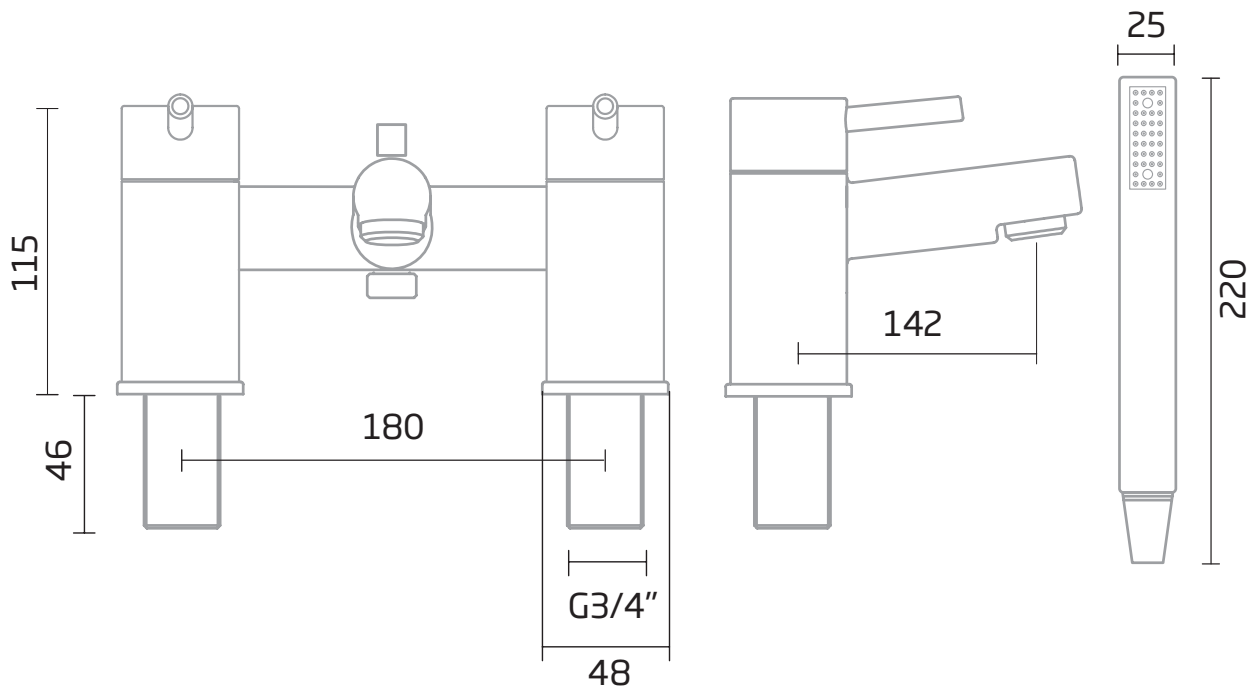
Chrome Plated

**FLOW RATE DATA IS TESTED UNDER LABORATORY CONDITIONS: ACTUAL FLOW RATE MAY VARY DEPENDING ON DOMESTIC SUPPLY AND ACCESSORIES**

Pressure:	Flow Rate:
0.2bar	8.8 litres / min
0.3bar	10.9 litres / min
0.4bar	12.6 litres / min
0.5bar	14.1 litres / min
1bar	20 litres / min
2bar	28.3 litres / min

### Dimensions - TR1012

Diagrams not to scale. All dimensions in mm (tolerance of +/-5mm)



\*Dimensions are subject to change, customers are advised to measure actual product before commencing installation.

### FAQs

**Does the tap come fitted with an aerator?** Yes, the aerator comes pre-installed but can be replaced.

**What size plumbing fittings are needed for the threaded legs?** This product will work with standard 3/4" plumbing fittings.

**What size are the connections for the shower hose?** The threaded connections on the shower hose are a standard 1/2" BSP connection.

**What is the recommended minimum pressure?** 0.3 Bar