

ROPER RHODES®

Technical Data Sheet

Keswick Dual Function Concealed Shower System With Arm And Handset Outlet

SVSET181 (Chrome) SVSET179 (Brass)



Chrome Plated

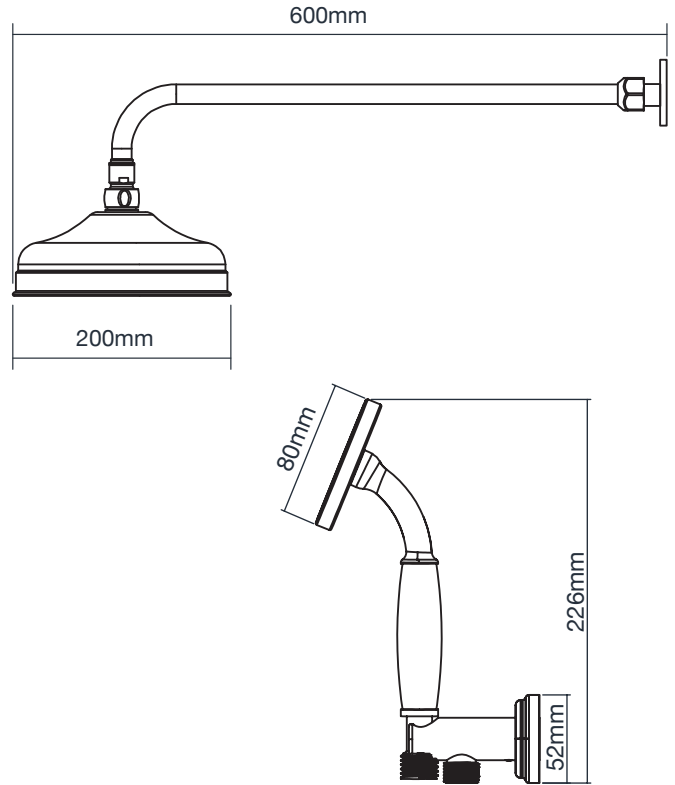
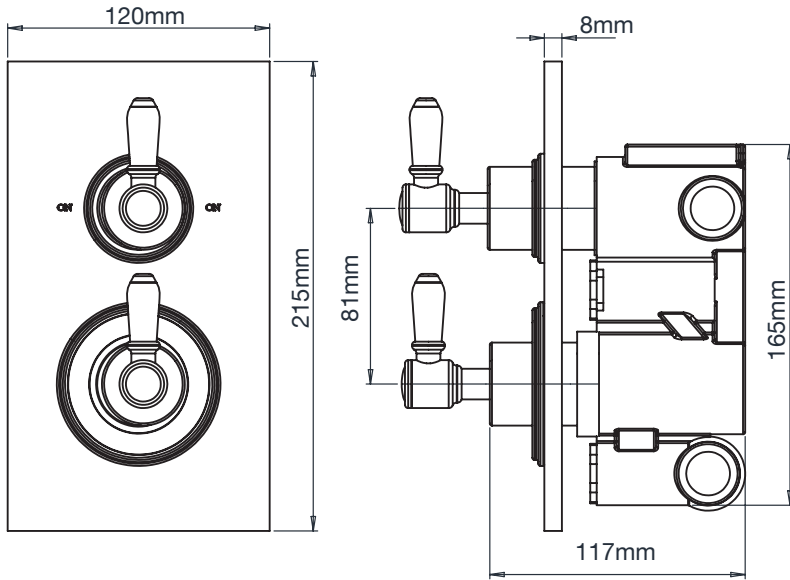
Brushed Brass PVD

FLOW RATE DATA IS TESTED UNDER LABORATORY CONDITIONS: ACTUAL FLOW RATE MAY VARY DEPENDING ON DOMESTIC SUPPLY AND ACCESSORIES

Minimum Pressure:	0.5 BAR
Pressure:	Flow Rate (l/min)
0.5 BAR	8.84
1 BAR	12.12
2 BAR	17.6
3 BAR	18.4

Dimensions

Diagrams not to scale. All dimensions in mm (tolerance of +/-5mm)



FAQs

What is the recommended minimum pressure? 0.5Bar

What are the valve inlet/outlet sizes? 3/4" BSP

Whats is the minimum / maximum cavity depth? Minimum 77mm - Maximum 106mm

Can both outlets be used at the same time? No, only one outlet can be selected at once.

What is the length of the hose? 1.5m

What size are the plumbing connections for the outlets? 1/2" BSP

Components

- Shower Head - Brass
- Shower Arm - Brass
- Wall Elbow - Brass
- Shower Valve - Brass
- Valve Cover Plate - Zinc
- Valve Handles - Brass
- Handset Outlet - Brass
- Handset - Brass
- Hose - Stainless Steel