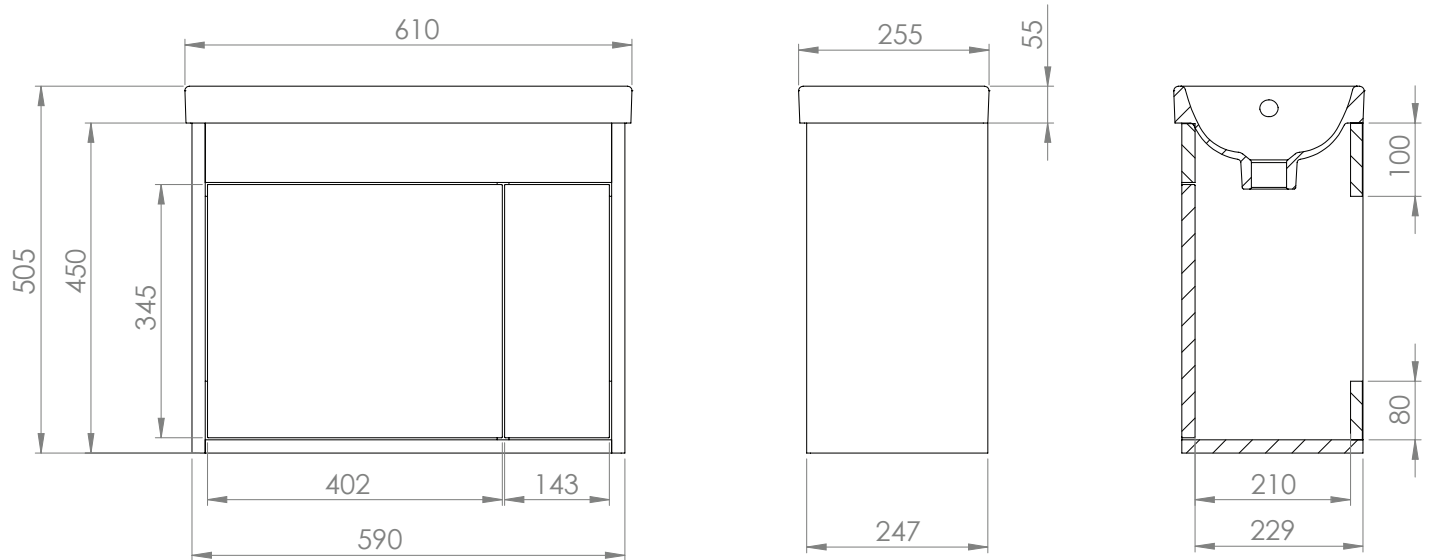


Technical Data Sheet

KLEIN 600mm Wall Mounted Unit

What's in the box: 1x KL6011-XX

R2



Diagrams not to scale
All dimensions in mm
Tolerance of +/-5mm

Materials

Carcass: 18mm - 16mm Painted/ PVC MDF
Fascia Components: 18mm Painted/ PVC MDF

**Dimensions are subject to change, customers are advised to measure actual product before commencing installation.

***Fixing point dimensions are for guidance only/the positions of wall fixing must be checked when product is received.

FAQs

Q: How big is the plumbing void?

A: No plumbing void, open back to receive pipework straight from wall.

Q: Are the handles fitted?

A: No, there are multiple handle options, the holes will need drilling.

Q: Are the hinges soft close?

A: The hinges are both soft close and quick release.

Q: Can the doors be adjusted?

A: The doors can be adjusted as detailed in the supplied instructions.

Q: How deep is the unit with doors open?

A: Approx 640mm at 90°.

Q: How many shelves are there?

A: Zero shelves.

Q: What is the unit capacity?

A: Base max depth: 210mm.

Q: What is the interior finish of the unit?

A: Dark grey interior on all finishes, except the white finish, which has a white interior.

NOTE: Colours unique to R2 - No RAL Code available