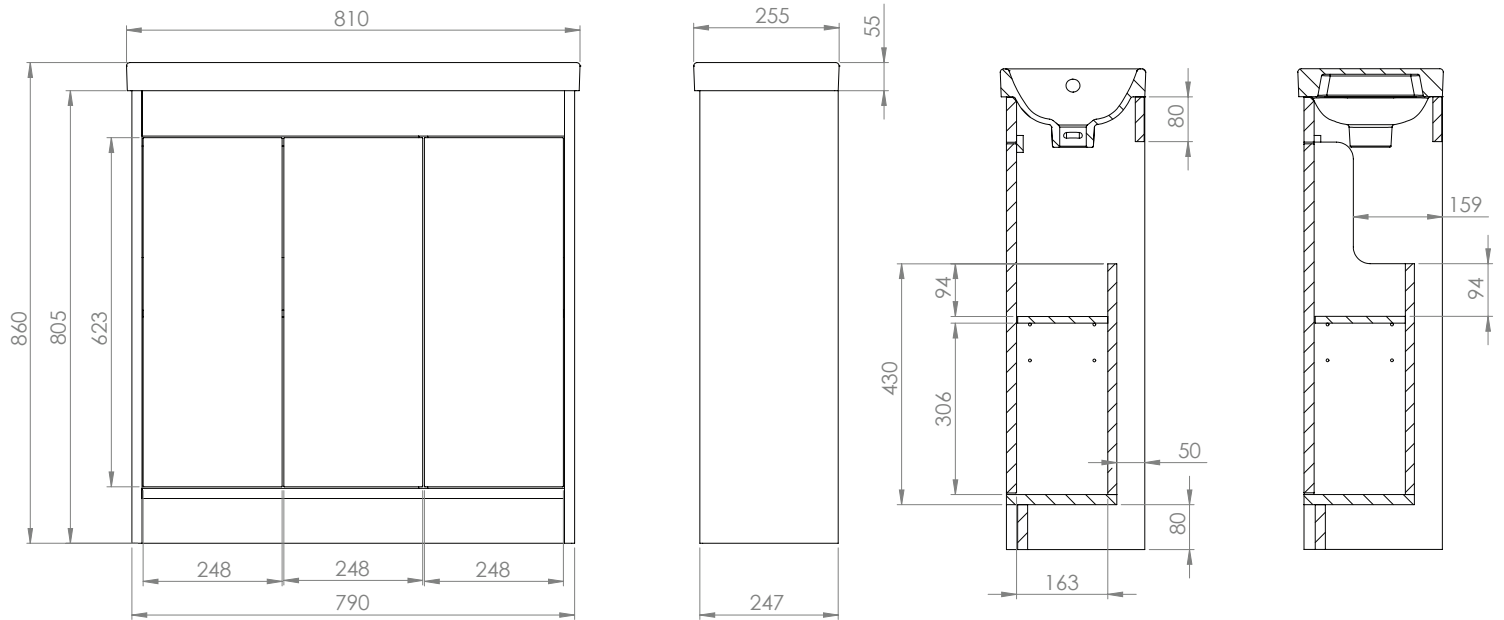


Technical Data Sheet

KLEIN 800mm Floor Mounted Unit

What's in the box: 1x KL8010-XX + Fixings

R2



Diagrams not to scale
All dimensions in mm
Tolerance of +/-5mm

Materials

Carcass: 18mm - 16mm Painted/ PVC MDF
Fascia Components: 18mm Painted/ PVC MDF

**Dimensions are subject to change, customers are advised to measure actual product before commencing installation.

***Fixing point dimensions are for guidance only/the positions of wall fixing must be checked when product is received.

FAQs

Q: How big is the plumbing void?

A: 50mm.

Q: Are the handles fitted?

A: No, there are multiple handle options, the holes will need drilling.

Q: Are the hinges soft close?

A: The hinges are both soft close and quick release.

Q: Can the doors be adjusted?

A: The doors can be adjusted as detailed in the supplied instructions.

Q: How deep is the unit with doors open?

A: Approx 480mm at 90°.

Q: Are the shelves adjustable?

A: Yes the shelves can be adjusted.

Q: What is the shelf capacity?

A: Shelf max depth: 163mm.

Q: How many shelves are there?

A: There are two shelves and the base of the unit.

Q: What is the interior finish of the unit?

A: Dark grey interior on all finishes, except the white finish, which has a white interior.

NOTE: Colours unique to R2 - No RAL Code available