

LINK MIRRORS

BOX CONTENTS: LINK Mirror | Instructions booklet | Fixing Kit | Wiz Smart Button

FAQ's

	Units	LKM060	LKM50P	RLM60C	RLM80C
Can the mirror be hung landscape?	-	Yes	Yes	NA	NA
What is the thickness of the mirror glass?	mm	5			
Where is the Light Switch located?	-	The mirror lights can be controlled by the Wiz App or by using the Smart Wiz Button supplied.			
Can the LED lighting be replaced?	-	No			
Where is the reset button to pair mirror located?	-	At the back of the mirror on the RH side of the electrical components box.		At the back of the mirror underneath the electrical components box.	
What size fuse should I use?	-	Seek the advice of an electrician			
How do I turn on the demister pad?	-	The demister pad is controlled via a fixed Touch sensor at the front of the mirror. The demister will automatically switch OFF after 30 minutes ON.			
Are illuminated cabinets/mirrors supplied with mains cable?	-	All illuminated cabinets/mirrors are supplied with a removeable 500mm mains cable. There is ample storage for excess cable in the back of the unit.			

For further FAQ's related to Wiz App go to: <https://www.roperrhodes.co.uk/smart-lighting>

ELECTRICAL SPECIFICATION

	Input Voltage	Lamp Type	Total Wattage (LED & Demist)	Demist (W)	Demist Size (mm)	LEDs (W)	LED (lm)	Energy Rating	CCT (K)	CRI	IP Rating	Electrical Class
LKM60C	220-240V 50Hz	12V DC LED Lamp	27.72	10	250*200	17.72	1944	F	3000-6000	80	IP44	Class II
LKM80C	220-240V 50Hz	12V DC LED Lamp	45.28	21	300*350	24.28	2664	F	3000-6000	80	IP44	Class II
LKM060	220-240V 50Hz	12V DC LED Lamp	55.23	28	400*350	27.23	2916	F	3000-6000	80	IP44	Class II
LKM50P	220-240V 50Hz	12V DC LED Lamp	34.67	14	250*280	20.67	2268	F	3000-6000	80	IP44	Class II

Please note:

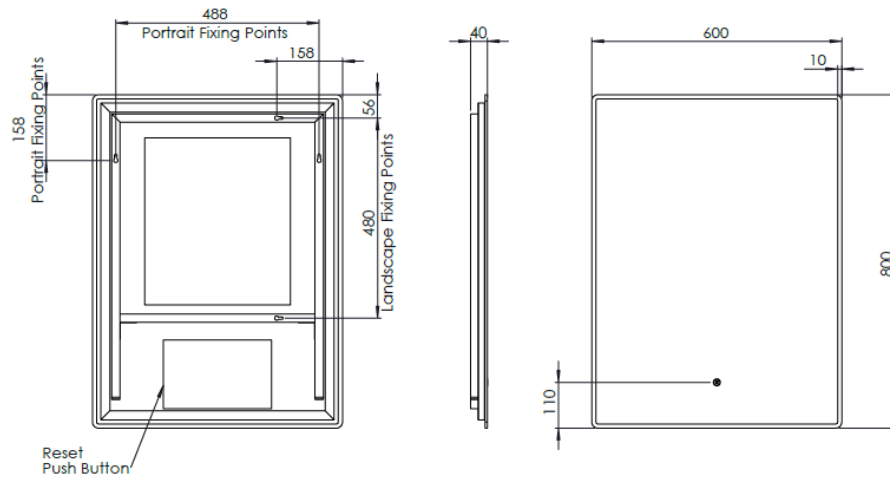
- Dimensions are subject to change. Customers are advised to measure actual product dimensions before commencing installation.
- Fixing point dimensions are for guidance only/the positions of wall fixing must be checked when product is received.
- The LED (lm) values represent the output of the LED. Actual product level Lumen output may vary depending on the diffuser material i.e., glass or acrylic.

TECHNICAL DATA SHEET

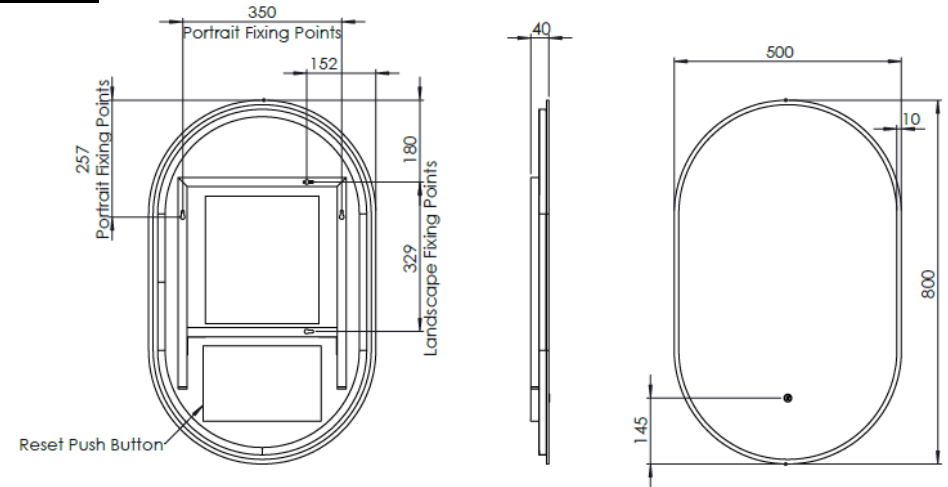
ROPER RHODES®

TECHNICAL DRAWINGS

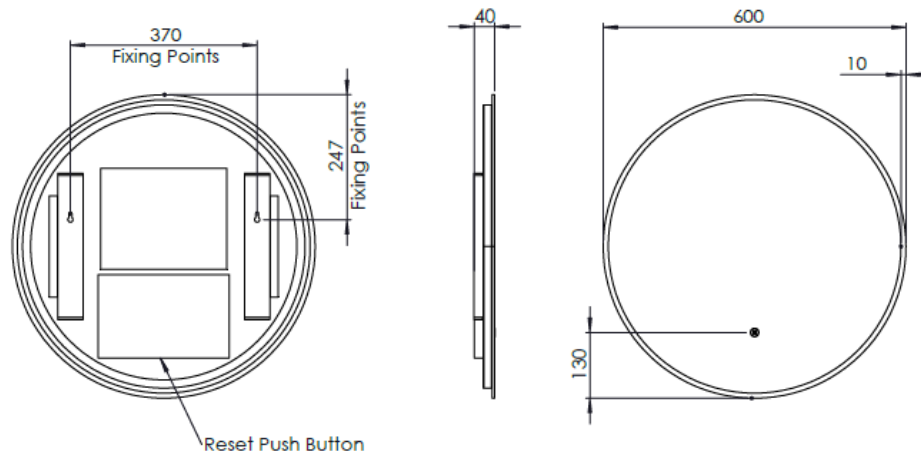
LKM060



LKM50P



LKM60C



LKM80C

