

# TECHNICAL DATA SHEET

Langford SCT Slim Depth Basin 1TH - DC14016

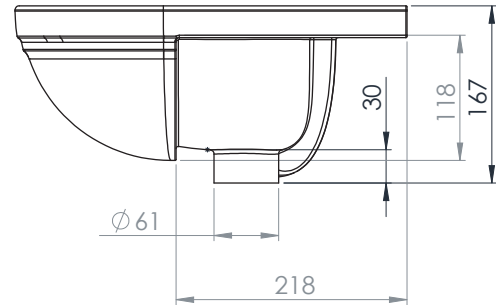
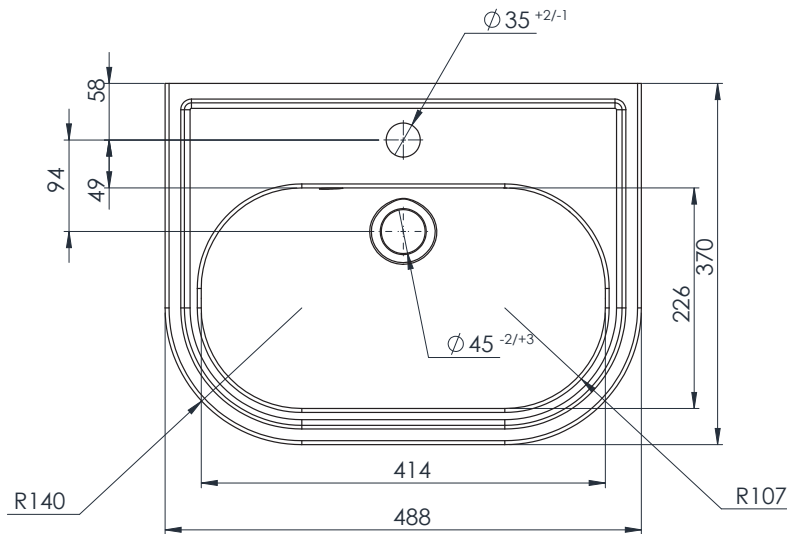
R2

NO.	Description	Product Code	Fixings included	Gross Weight	Net Weight
1	SCT Slim Depth Basin	DC14016	N/A	11KG	N/A



## DIMENSIONS - PRODUCT CODE

DIAGRAMS NOT TO SCALE | ALL DIMENSIONS IN MM | TOLERANCE OF  $\pm 5$ MM  
ALL PRODUCTS CONFORM TO THE BRITISH FIXING STANDARDS



\*Dimensions are subject to change, customers are advised to measure actual product before commencing installation.

\*\*Fixing point dimensions are for guidance only/the positions of wall fixing must be checked when product is received.

## FAQs

Q - Is a fitting template supplied?

A - Yes

Q - How is the basin fixed to the furniture?

A - Fix to workspace with silicone as per instructions supplied.

Key Dimensions Descriptions	Key Dimensions (mm)
Internal Depth	120mm
Internal Front to Back	226mm
Internal Left to Right	414mm
Tapledge	107mm
Taphole Centre to Waste Centre	94mm
Taphole Centre to Back of Basin	58mm
Waste Centre to Back of Basin	152mm
Height of Basin	167mm
Basin Belly	N/A

# TECHNICAL DATA SHEET

Langford SCT Slim Depth Basin 2TH - DC14017

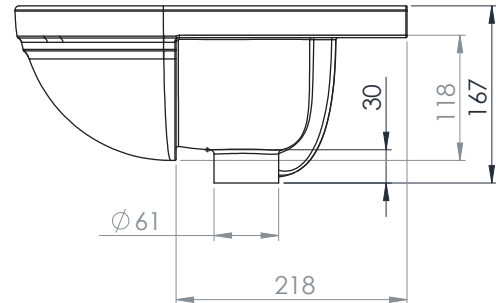
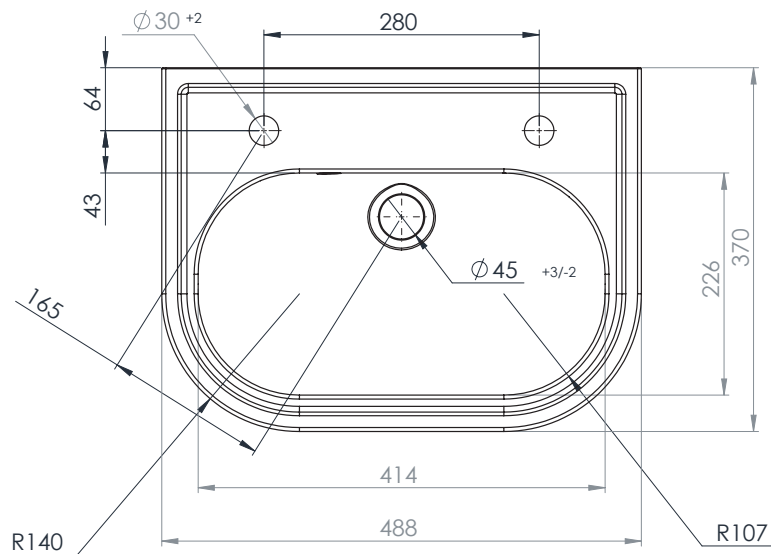
R2

NO.	Description	Product Code	Fixings included	Gross Weight	Net Weight
1	SCT Slim Depth Basin	DC14017	N/A	11.5KG	N/A



## DIMENSIONS - PRODUCT CODE

DIAGRAMS NOT TO SCALE | ALL DIMENSIONS IN MM | TOLERANCE OF  $\pm 5$ MM  
ALL PRODUCTS CONFORM TO THE BRITISH FIXING STANDARDS



\*Dimensions are subject to change, customers are advised to measure actual product before commencing installation.

\*\*Fixing point dimensions are for guidance only/the positions of wall fixing must be checked when product is received.

## FAQs

Q - Is a fitting template supplied?

A - Yes

Q - How is the basin fixed to the furniture?

A - Fix to workspace with silicone as per instructions supplied.

Key Dimensions Descriptions	Key Dimensions (mm)
Internal Depth	120mm
Internal Front to Back	226mm
Internal Left to Right	414mm
Tapledge	107mm
Taphole Centre to Waste Centre	165mm
Taphole Centre to Back of Basin	58mm
Waste Centre to Back of Basin	152mm
Height of Basin	167mm
Basin Belly	N/A

# TECHNICAL DATA SHEET

Langford SCT STD Depth Basin 1TH - DC14018

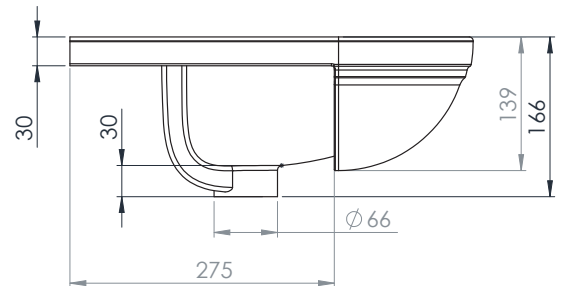
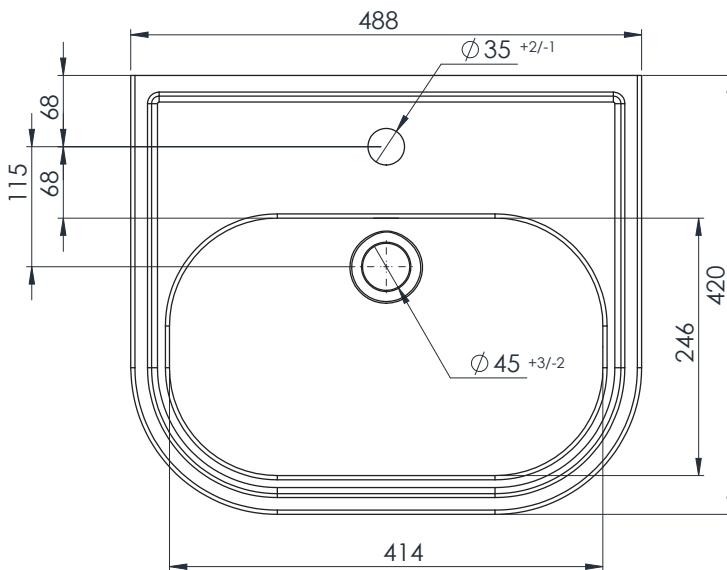
R2

NO.	Description	Product Code	Fixings included	Gross Weight	Net Weight
1	SCT STD Depth Basin	DC14018	N/A	11.5KG	N/A



## DIMENSIONS - PRODUCT CODE

DIAGRAMS NOT TO SCALE | ALL DIMENSIONS IN MM | TOLERANCE OF  $\pm 5$ MM  
ALL PRODUCTS CONFORM TO THE BRITISH FIXING STANDARDS



\*Dimensions are subject to change, customers are advised to measure actual product before commencing installation.

\*\*Fixing point dimensions are for guidance only/the positions of wall fixing must be checked when product is received.

## FAQs

Q - Is a fitting template supplied?

A - Yes

Q - How is the basin fixed to the furniture?

A - Fix to workspace with silicone as per instructions supplied.

Key Dimensions Descriptions	Key Dimensions (mm)
Internal Depth	120mm
Internal Front to Back	246mm
Internal Left to Right	414mm
Tapledge	136mm
Taphole Centre to Waste Centre	115mm
Taphole Centre to Back of Basin	68mm
Waste Centre to Back of Basin	183mm
Height of Basin	166mm
Basin Belly	N/A

# TECHNICAL DATA SHEET

Langford SCT STD Depth Basin 2TH - DC14019

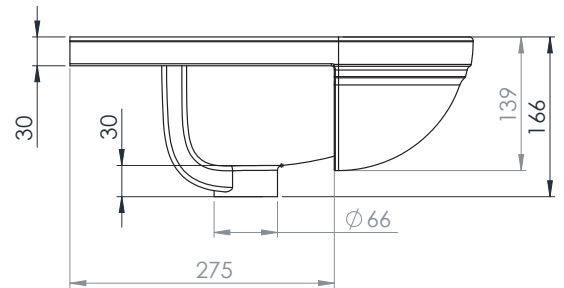
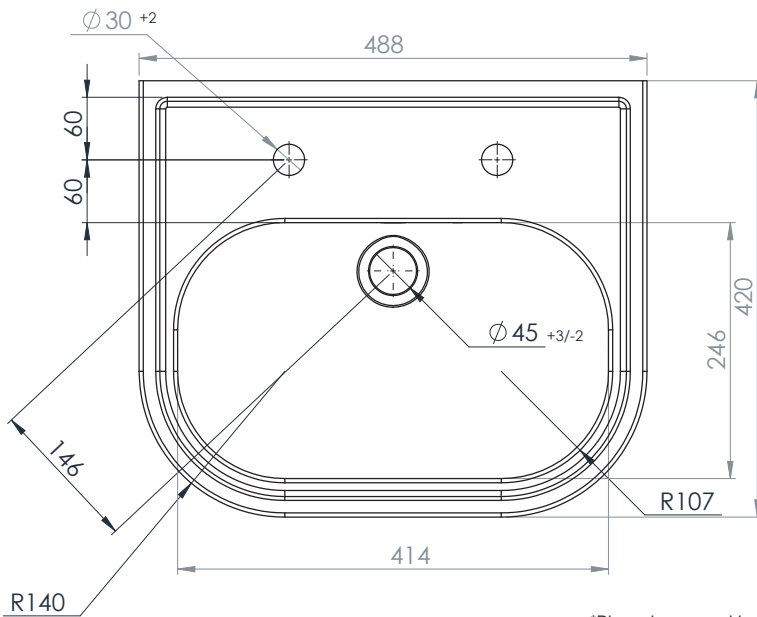
R2

NO.	Description	Product Code	Fixings included	Gross Weight	Net Weight
1	SCT STD Depth Basin	DC14019	N/A	11KG	N/A



## DIMENSIONS - PRODUCT CODE

DIAGRAMS NOT TO SCALE | ALL DIMENSIONS IN MM | TOLERANCE OF  $\pm 5$ MM  
ALL PRODUCTS CONFORM TO THE BRITISH FIXING STANDARDS



\*Dimensions are subject to change, customers are advised to measure actual product before commencing installation.  
\*\*Fixing point dimensions are for guidance only/the positions of wall fixing must be checked when product is received.

## FAQs

Q - Is a fitting template supplied?

A - Yes

Q - How is the basin fixed to the furniture?

A - Fix to workspace with silicone as per instructions supplied.

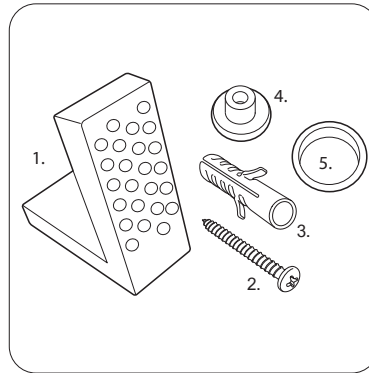
Key Dimensions Descriptions	Key Dimensions (mm)
Internal Depth	120mm
Internal Front to Back	246mm
Internal Left to Right	414mm
Tapledge	136mm
Taphole Centre to Waste Centre	146mm
Taphole Centre to Back of Basin	68mm
Waste Centre to Back of Basin	183mm
Height of Basin	166mm
Basin Belly	N/A

# TECHNICAL DATA SHEET

## Langford CC Fully Enclosed Pan - DC14012

R2

NO.	Description	Product Code	Fixings included	Gross Weight	Net Weight
1	CC Tank	DC14014	YES	15KG	N/A
2	D-Shape Toilet Seat	DC14031	YES	2.1KG	N/A
3	CC Fully Enclosed Pan	DC14012	YES	28KG	N/A

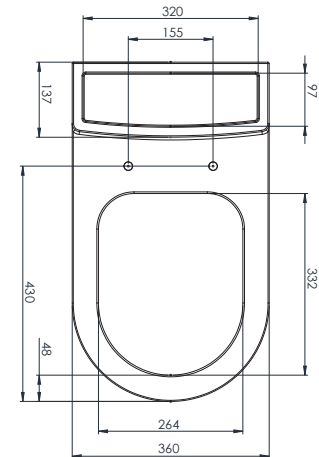
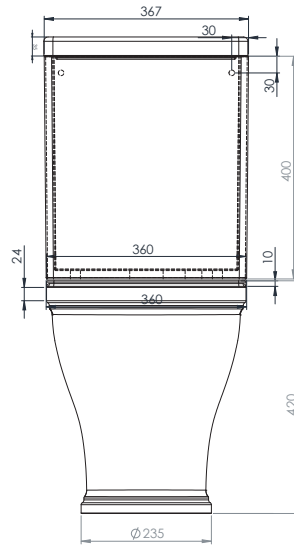
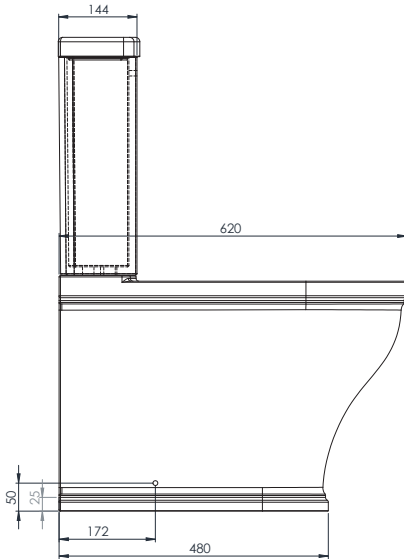


- 1. 2x Nylon Floor Bracket
- 2. 4x Stainless Steel Screws
- 3. 2x Nylon Screw Plugs
- 4. 2x Nylon Screw Collars
- 5. 2x Nylon Collars Caps (Metalic Finish)

Spare Code: SP14211

### DIMENSIONS - PRODUCT CODE

DIAGRAMS NOT TO SCALE | ALL DIMENSIONS IN MM | TOLERANCE OF ± 5MM  
ALL PRODUCTS CONFORM TO THE BRITISH FIXING STANDARDS



\*Dimensions are subject to change, customers are advised to measure actual product before commencing installation.

\*\*Fixing point dimensions are for guidance only/the positions of wall fixing must be checked when product is received.

### FAQs

Q - Where is the inlet valve?  
A - Bottom inlet, back right of the pan.

Q - What is the flush volume?  
A - 6/4L

Q - Can this pan be used with a side connection outlet pipe?  
A - No

Q - What cistern fittings are included?  
A - R + T - Refer to cistern fitting tech data sheet.

Q - Are there any other compatible seats?  
A - No

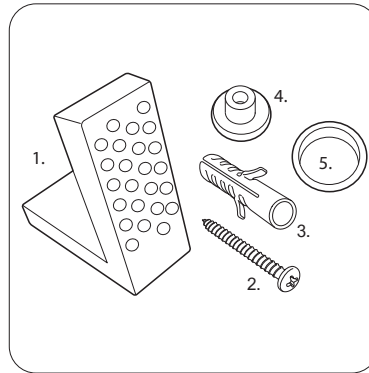
Key Dimensions Descriptions	Key Dimensions (mm)
Front to Back Footprint	480mm
Left to Right Footprint	235mm
Bowl Front to Back	332mm
Bowl Left to Right	264mm
Pan Height	420mm
Pan Overall Front to Back	620mm
Centre Waste Outlet to Floor	180mm
Width of Void	155mm
Is there a Ceramic Brace Bar	No

# TECHNICAL DATA SHEET

## Langford CC Open Back Pan - DC14013

R2

NO.	Description	Product Code	Fixings included	Gross Weight	Net Weight
1	CC Tank	DC14014	YES	15KG	N/A
2	D-Shape Toilet Seat	DC14031	YES	2.1KG	N/A
3	CC Open Back Pan	DC14013	YES	24.5KG	N/A

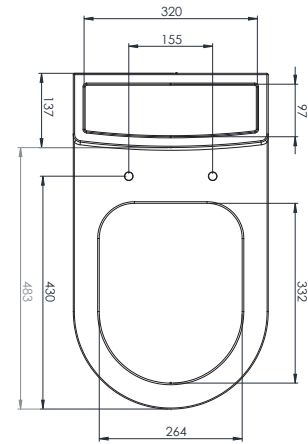
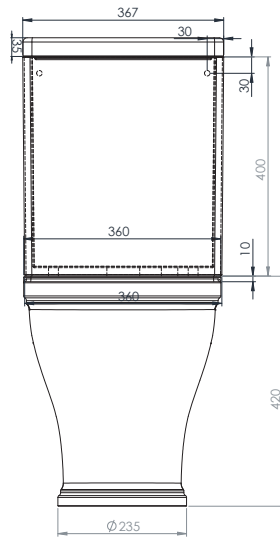
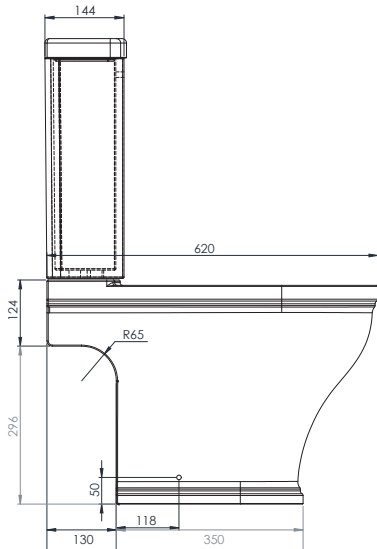


1. 2x Nylon Floor Bracket
2. 4x Stainless Steel Screws
3. 2x Nylon Screw Plugs
4. 2x Nylon Screw Collars
5. 2x Nylon Collars Caps (Metalic Finish)

Spare Code: SP14211

### DIMENSIONS - PRODUCT CODE

DIAGRAMS NOT TO SCALE | ALL DIMENSIONS IN MM | TOLERANCE OF  $\pm 5$ MM  
ALL PRODUCTS CONFORM TO THE BRITISH FIXING STANDARDS



\*Dimensions are subject to change, customers are advised to measure actual product before commencing installation.

\*\*Fixing point dimensions are for guidance only/the positions of wall fixing must be checked when product is received.

### FAQs

Q - Where is the inlet valve?  
A - Bottom inlet, back right of the pan.

Q - What is the flush volume?  
A - 6/4L

Q - Can this pan be used with a side connection outlet pipe?  
A - Yes.

Q - What cistern fittings are included?  
A - R+T - Refer to cistern fitting tech data sheet.

Q - Are there any other compatible seats?  
A - No

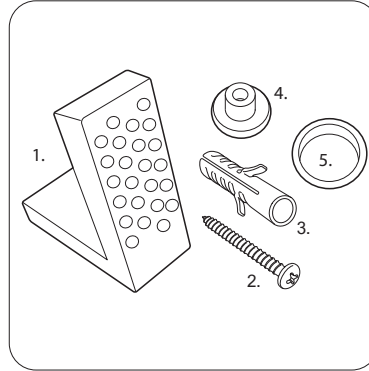
Key Dimensions Descriptions	Key Dimensions (mm)
Front to Back Footprint	350mm
Left to Right Footprint	235mm
Bowl Front to Back	332mm
Bowl Left to Right	264mm
Pan Height	420mm
Pan Overall Front to Back	620mm
Centre Waste Outlet to Floor	180mm
Width of Void	155mm
Is there a Ceramic Brace Bar	No

# TECHNICAL DATA SHEET

Langford BTW Pan - DC14015

R2

NO.	Description	Product Code	Fixings included	Gross Weight	Net Weight
1	D-Shape Toilet Seat	DC14031	YES	2.1KG	N/A
2	BTW Pan	DC14015	YES	25KG	N/A

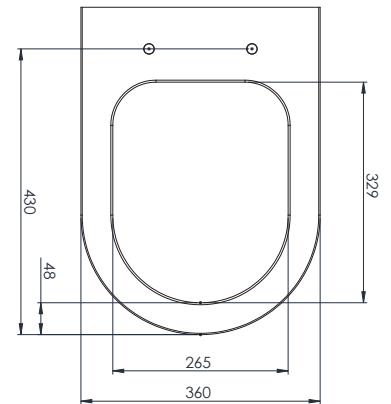
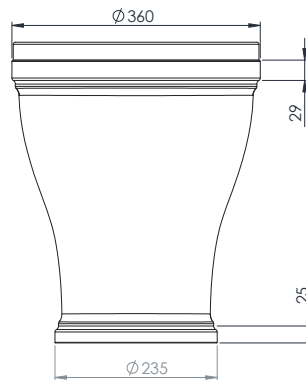
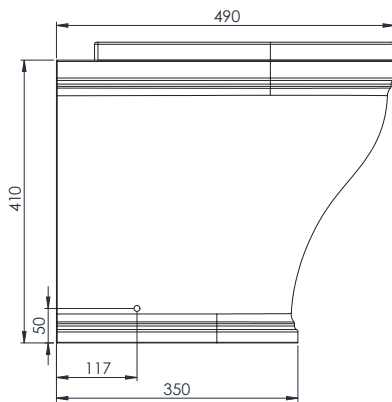


- 1. 2x Nylon Floor Bracket
- 2. 4x Stainless Steel Screws
- 3. 2x Nylon Screw Plugs
- 4. 2x Nylon Screw Collars
- 5. 2x Nylon Collars Caps (Metalic Finish)

Spare Code: SP14211

## DIMENSIONS - PRODUCT CODE

DIAGRAMS NOT TO SCALE | ALL DIMENSIONS IN MM | TOLERANCE OF ± 5MM  
ALL PRODUCTS CONFORM TO THE BRITISH FIXING STANDARDS



\*Dimensions are subject to change, customers are advised to measure actual product before commencing installation.

\*\*Fixing point dimensions are for guidance only/the positions of wall fixing must be checked when product is received.

## FAQs

Q - Are there any other compatible seats?  
A - No

Q - Which concealed cistern do I use?  
A - Torrent (TR9001) or Cascade (TR9002), depending on whether the water feed is bottom or side access. An In-Wall cistern (TR9009) is available for tiled-in installations.

Key Dimensions Descriptions	Key Dimensions (mm)
Front to Back Footprint	350mm
Left to Right Footprint	235mm
Bowl Front to Back	329mm
Bowl Left to Right	265mm
Pan Height	410mm
Pan Overall front to Back	490mm
Centre Flush Inlet to Floor	375mm
Centre Waste Outlet to Floor	180mm
Width of Void	180mm
Is there a Ceramic Brace Bar	No

# TECHNICAL DATA SHEET

## Langford D-Shape Toilet Seat - DC14031

R2

NO.	Description	Product Code	Fixings included	Gross Weight	Net Weight
1	D-Shape Toilet Seat	DC14031	YES	2.1KG	N/A



### Spares Codes:

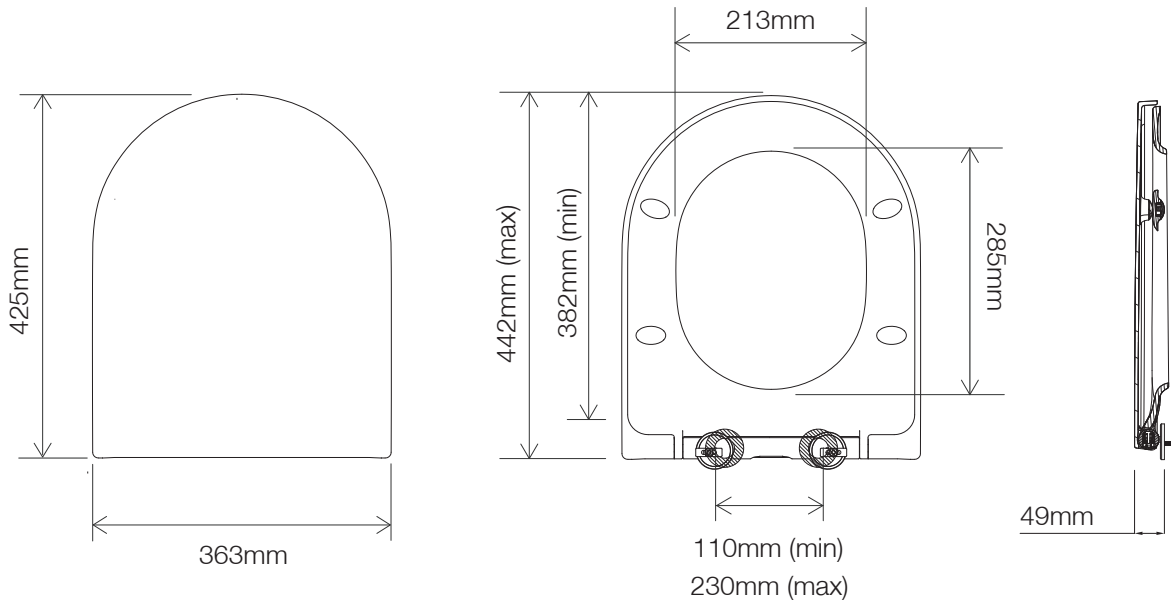
Langford Hinge Fixing Kit - SP16657

Langford Wrap Over Lid Buffer - SP18930

Langford Wrap Over Seat Ring Buffer - SP18929

### DIMENSIONS - PRODUCT CODE

DIAGRAMS NOT TO SCALE | ALL DIMENSIONS IN MM | TOLERANCE OF  $\pm 5$ MM  
ALL PRODUCTS CONFORM TO THE BRITISH FIXING STANDARDS



\*Dimensions are subject to change, customers are advised to measure actual product before commencing installation.

\*\*Fixing point dimensions are for guidance only/the positions of wall fixing must be checked when product is received.

### FAQs

Q - What's the maximum test load of the seat?

A - 150kg

Q - What are the fixings made from?

A - Stainless Steel Cover Plates/Screws, Nylon Anchor Plates, Rubber Washers, Rubber Fixing Plugs.

Key Dimensions Descriptions	Key Dimensions (mm)
Seat/Lid Front to Back	425mm
Seat/Lid Left to Right	363mm
Ring Hole Front to Back	285mm
Ring Hole Left to Right	213mm
Seat Overall Thickness	49mm
Width of Back of Seat	363mm
Min/Max Adjustment for Fixings	110/230, 382/442mm