

TECHNICAL DATA SHEET

Langford Soft Close Toilet Seat - DC14031

R2

NO.	Description	Product Code	Fixings included	Gross Weight
1	Soft Close Toilet Seat	DC14031	YES	2.1KG



Spares Codes:

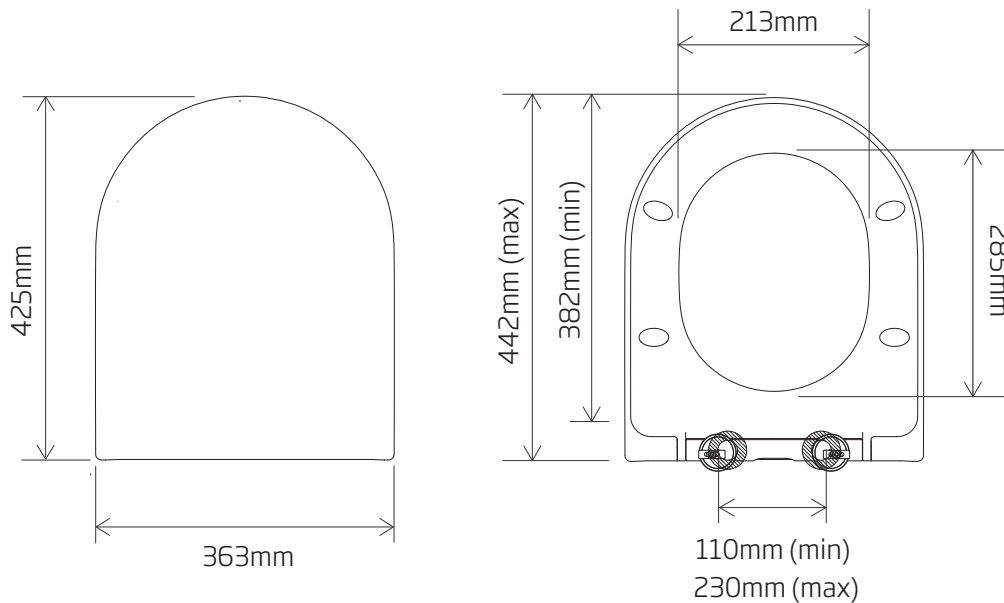
Langford Hinge Fixing Kit - SP16657

Langford Wrap Over Lid Buffer - SP18930

Langford Wrap Over Seat Ring Buffer - SP18929

DIMENSIONS

DIAGRAMS NOT TO SCALE | ALL DIMENSIONS IN MM TOLERANCE OF ± 5MM
ALL PRODUCTS CONFORM TO BRITISH STANDARDS



*Dimensions are subject to change, customers are advised to measure actual product before commencing installation.

FAQs

Q - What's the maximum test load of the seat?

A - 150kg

Q - What are the fixings made from?

A - Stainless Steel Cover Plates/Screws, Nylon Anchor Plates, Rubber Washers, Rubber Fixing Plugs.

Key Dimensions Descriptions	Key Dimensions (mm)
Seat/Lid Front to Back	425mm
Seat/Lid Left to Right	363mm
Ring Hole Front to Back	285mm
Ring Hole Left to Right	213mm
Seat Overall Thickness	49mm
Width of Back of Seat	363mm