

# TECHNICAL DATA SHEET

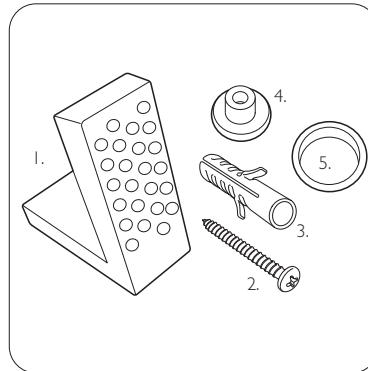
## Loft Comfort Height Closed Coupled Open Back WC

# TAVISTOCK

NO.	Description	Product Code	Fixings included	Gross Weight
1	Close Coupled Cistern	DCI4035	YES	15KG
2	Soft Close Lift Off Toilet Seat	DCI4030	YES	2KG
3	Comfort Height Open Back WC	DCI4034	YES	24.5KG



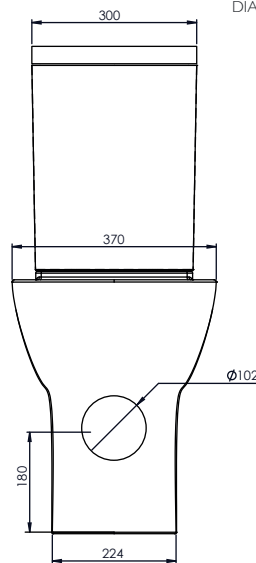
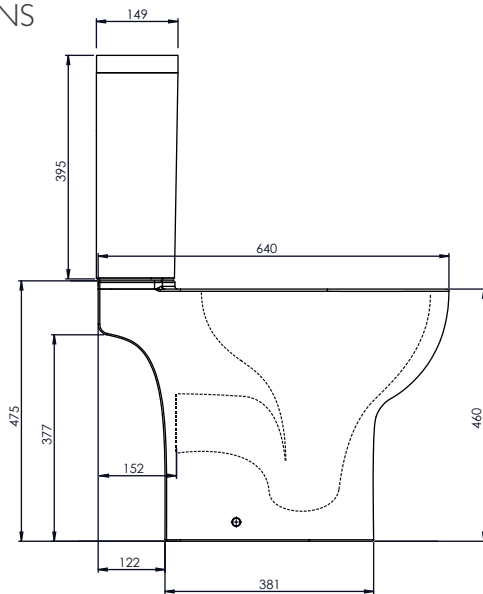
### Floor Fixings



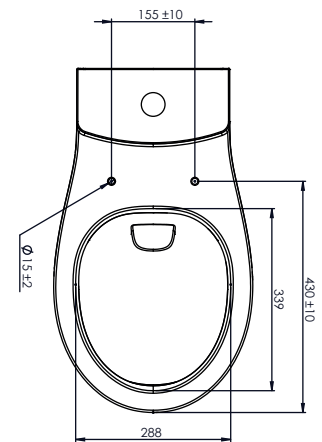
- 1. 2x Nylon Floor Bracket
- 2. 4x Stainless Steel Screws
- 3. 2x Nylon Screw Plugs
- 4. 2x Nylon Screw Collars
- 5. 2x Nylon Collar Caps (Metalic Finish)

Spare Code: SP14211

## DIMENSIONS



DIAGRAMS NOT TO SCALE | ALL DIMENSIONS IN MM TOLERANCE OF  $\pm 5$ MM  
ALL PRODUCTS CONFORM TO BRITISH STANDARDS



\*Dimensions are subject to change, customers are advised to measure actual product before commencing installation.

\*\*Fixing point dimensions are for guidance only. The positions of fixings must be checked when product is received.

## FAQs

Q - Where is the inlet valve?  
A - Bottom inlet, back right of the pan.

Q - What is the flush volume?  
A - 5/3L

Q - Can this pan be used with a side connection outlet pipe?  
A - Yes..

Q - Are there any other compatible seats?  
A - Yes, Alpine (O803SC-SF)

Q - Rim Type?  
A - Rimless

Key Dimensions Descriptions	Key Dimensions (mm)
Front to Back Footprint	350mm
Left to Right Footprint	235mm
Bowl Front to Back	332mm
Bowl Left to Right	264mm
Pan Height (+Cistern)	420mm
Pan Overall Front to Back	620mm
Centre Waste Outlet to Floor	180mm
Width of Void	155mm
Is there a Ceramic Brace Bar	No
Distance from Spigot to back of Pan	152mm