

TECHNICAL DATA SHEET

Loft Soft Close Toilet Seat - DCI4030

TAVISTOCK

NO.	Description	Product Code	Fixings included	Gross Weight
I	Soft Close Toilet Seat	DCI4030	YES	2KG



Spares Codes:

Loft Hinge Fixing Kit - SPI6318

Loft Wrap Over Lid Buffer - SPI9248

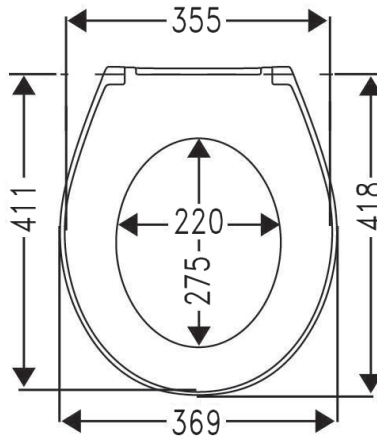
Loft Wrap Over Seat Ring Buffer - SPI7852

Loft Hinge Barrel Clip - SPI9258

Loft hinge Damper Cap - SPI9723

DIMENSIONS

DIAGRAMS NOT TO SCALE | ALL DIMENSIONS IN MM TOLERANCE OF ± 5MM
ALL PRODUCTS CONFORM TO BRITISH STANDARDS



*Dimensions are subject to change, customers are advised to measure actual product before commencing installation.

FAQs

Q - What's the maximum test load of the seat?

A - 150kg

Q - What are the fixings made from?

A - Stainless Steel Cover Plates/Screws, Nylon Anchor Plates, Top Fix Inserts

Key Dimensions Descriptions	Key Dimensions (mm)
Seat/Lid Front to Back	418mm
Seat/Lid Left to Right	369mm
Ring Hole Front to Back	275mm
Ring Hole Left to Right	213mm
Seat Overall Thickness	49mm
Width of Back of Seat	300mm