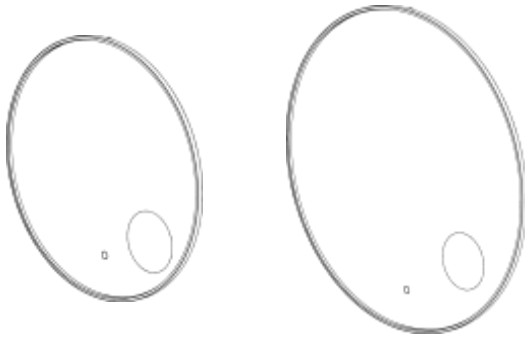


## LOOP



### Box Contents:

Loop Mirror: Instructions booklet | 3x wall plugs | 3x screws

### Materials

*Frame Material:* Extruded Aluminium

*Glass:* 5mm PVC Backed

FAQ's:	Units	VM60C	VM80C
Can the mirror be hung landscape?	-	No	
What is the thickness of the mirror glass?	mm	5	
Is the mirror IP44 rated?	-	Yes – Suitable for use in bathroom zone 2	
What size fuse should I use?	-	Seek the advice of an electrician	
What is the total power consumption?	W	62.35	89.9
Does the mirror have an energy rating?	-	Yes – It has an energy rating of: F	
What is the colour of the light and the Kelvin rating?	K	2700 - 6000	
What is the Lumen of the LEDs?*	Lms	2458	3289
What is the wattage of the lights?	W	22	30
Where is the touch sensor located?	-	Centre Middle	
Can the LED lighting be replaced?	-	No**	
What is the output of the demister pad?	W	14	18
What are the dimensions of the demister pad? (Diameter)	mm	Ø300	Ø400
How do I turn on the demister pad?	-	The demister pad will turn on when the mirror is turned on	
Are illuminated mirrors supplied with mains cable?	-	All illuminated mirrors are supplied with a removeable 500mm mains cable.	

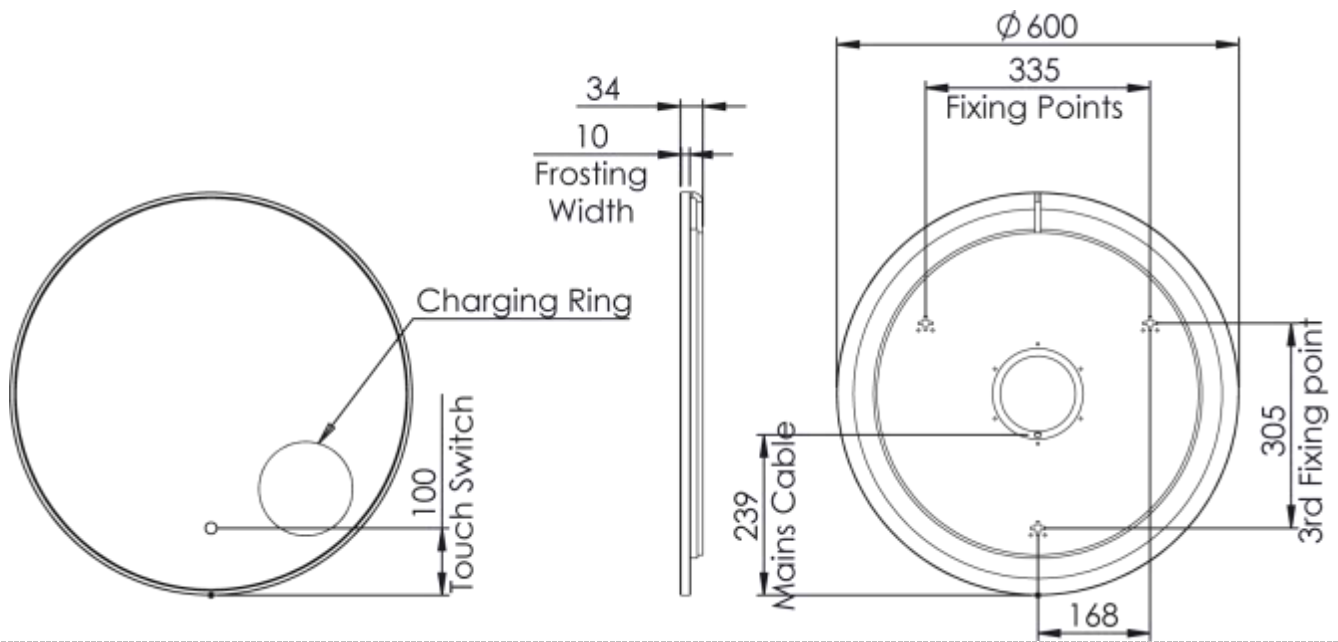
Dimensions are subject to change; customers are advised to measure actual product before commencing installation.

Fixing point dimensions are for guidance only/the positions of wall fixing must be checked when product is received.

\*The Lumen represents the output of the LED. This may vary depending on the diffuser material i.e., glass or acrylic.

\*\*The LEDs are not replaceable to maintain the integrity of the product's resistance to moisture ingress

## VM60C



## VM80C

