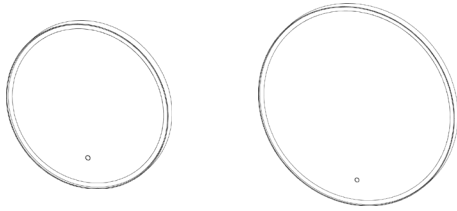


Technical Data Sheet

AURORA



Box Contents:

Aurora Mirror | 2x wall plugs | 2x screws | Instructions booklet

Materials

Frame Material: Extruded Aluminium

Glass: 5mm PVC Backed

FAQ's:	Units	AUM60C	AUM80C
Can the mirror be hung landscape?	-	No	
What is the thickness of the mirror glass?	mm	5	
Is the mirror IP44 rated?	-	Yes – Suitable for use in bathroom zone 2	
What size fuse should I use?	-	Seek the advice of an electrician	
What is the total power consumption?	W	39.53	52.84
Does the mirror have an energy rating?	-	Yes – It has an energy rating of: F	
What is the colour of the light and the Kelvin rating?	K	3000 - 6000	
What is the Lumen of the LEDs?*	Lms	2360	3156
What is the wattage of the lights?	W	33.53	44.84
Where is the IR sensor/rocker switch located?	-	Front bottom middle	
Can the LED lighting be replaced?	-	No**	
Can the IR sensor be replaced?	-	Yes	
What is the output of the demister pad?	W	6	8
What are the dimensions of the demister pad? (L x W)	mm	200 x 200	200 x 350
How do I turn on the demister pad?	-	The demister pad will turn on when the LEDs are turned on.	
Are illuminated mirrors supplied with mains cable?	-	All illuminated mirrors are supplied with a removeable 500mm mains cable.	

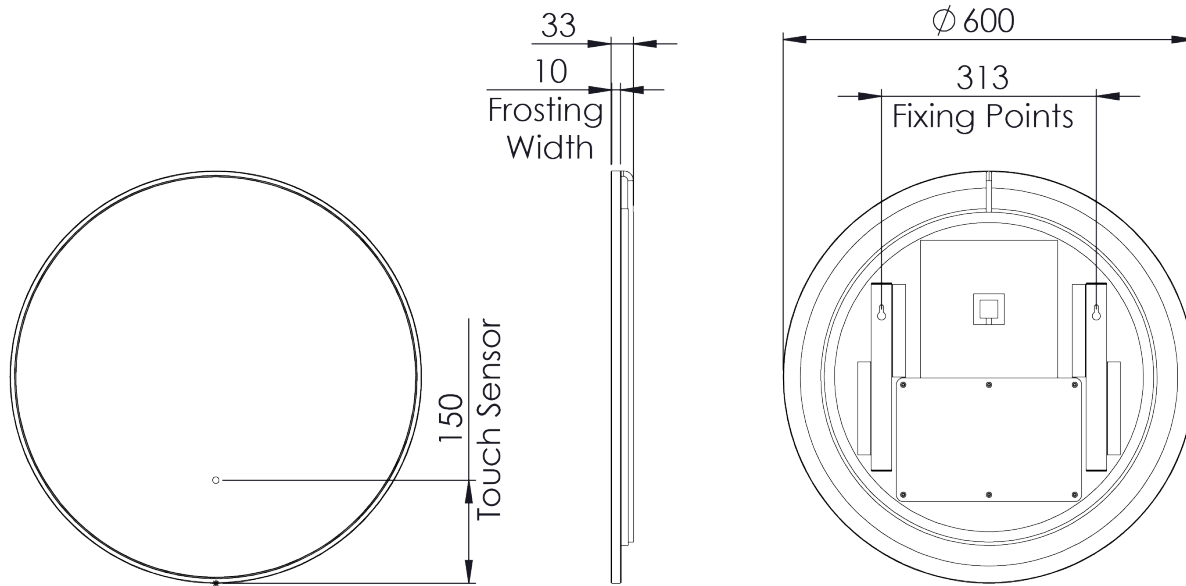
Dimensions are subject to change; customers are advised to measure actual product before commencing installation.

Fixing point dimensions are for guidance only/the positions of wall fixing must be checked when product is received.

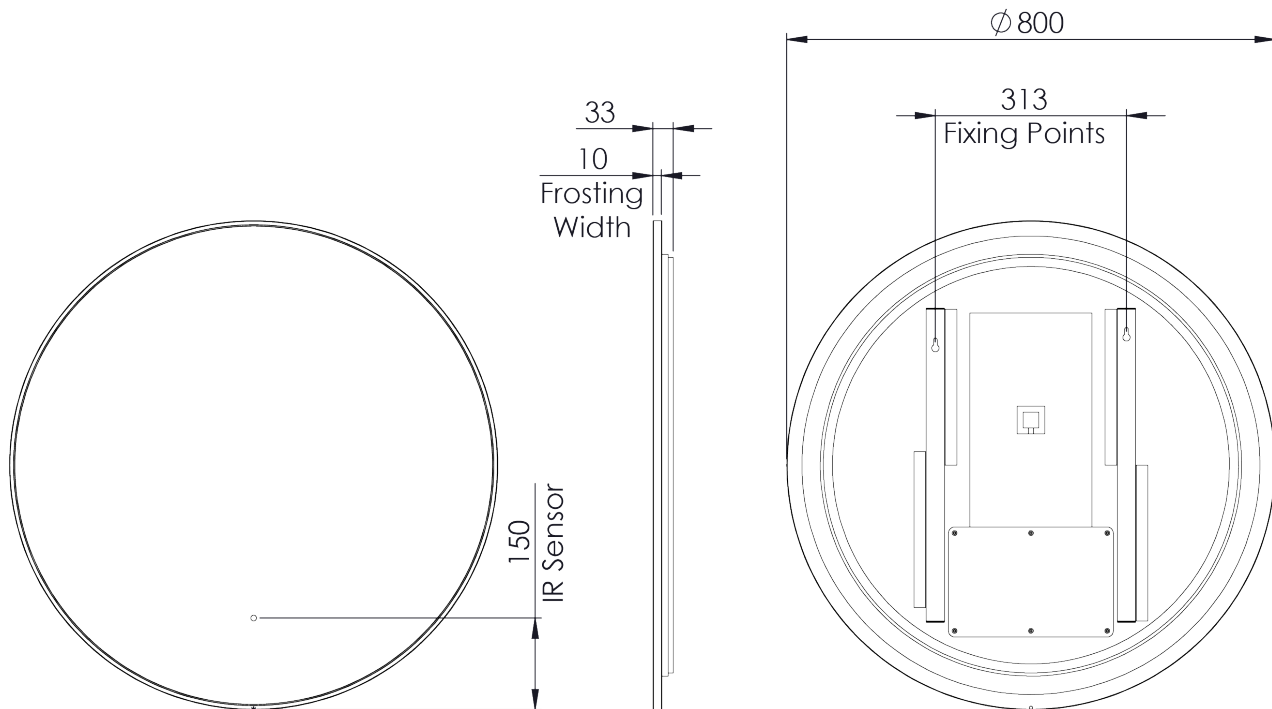
*The Lumen represents the output of the LED. This may vary depending on the diffuser material i.e., glass or acrylic.

**The LEDs are not replaceable to maintain the integrity of the product's resistance to moisture ingress.

AUM60C



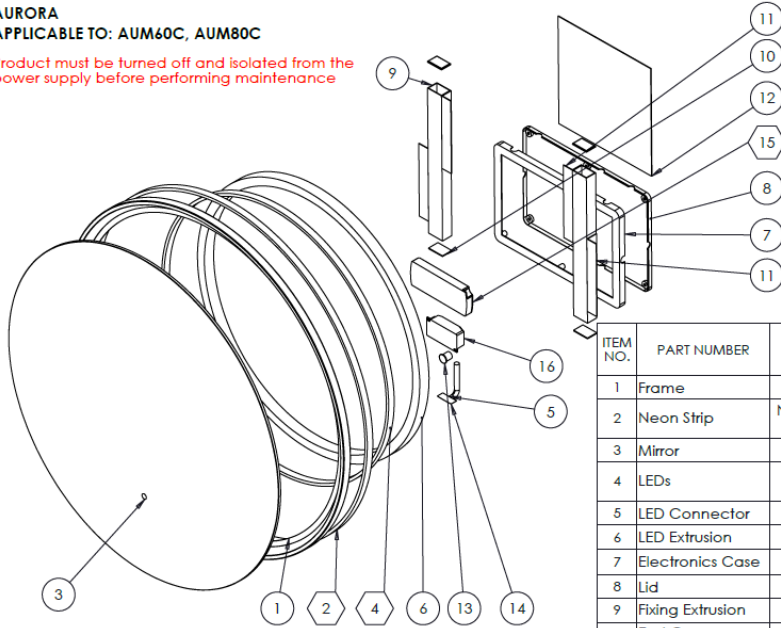
AUM80C





Aurora ERP

AURORA
APPLICABLE TO: AUM60C, AUM80C

Product must be turned off and isolated from the power supply before performing maintenance

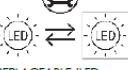




-  LIGHT SOURCE/
CONTROL GEAR
-  PROFESSIONAL
-  USER
-  NOT
REPLACEABLE

TOOLS REQUIRED - Phillips Screwdriver

CATEGORY:
 LIGHT SOURCE
 CONTAINING PRODUCT
 CONTROL GEAR


 REPLACEABLE
 CONTROL GEAR BY
 A PROFESSIONAL


 REPLACEABLE (LED
 ONLY) LIGHT SOURCE
 BY A PROFESSIONAL

ITEM NO.	PART NUMBER	REF.	MATERIAL	QTY.	ENERGY RATING	REPLACEABLE BY	JUSTIFICATION IF NOT REPLACEABLE
1	Frame		Aluminium	1			
2	Neon Strip	Neon-2216-12V-1667		1			
3	Mirror		Glass	1			
4	LEDs	TQ12V-2835-CCT2-1667		1	F		IP rating compromised
5	LED Connector			1			
6	LED Extrusion			1			
7	Electronics Case		ABS	1			
8	Lid		ABS	1			
9	Fixing Extrusion		Aluminium	1			
10	End Caps		ABS	4			
11	L Bracket		Aluminium	4			
12	Demister Pad	BGRR-REW		1			
13	IR Sensor	SHE-Z-60C-K1		1			
14	LED Connector			1			
15	Driver	AED60H-12VLSTB		1			
16	Relay	TS-002		1			

ROPER RHODES[®]

Design © Roper Rhodes Ltd

Copyright / design right owned by Roper Rhodes Ltd. In the event of this being infringed Roper Rhodes Ltd will take any necessary legal action to protect it.

Revision: 27 June 2022

Created: 22 March 2022

Sheet 1 of 1

Title: Aurora ERP

Material:

Finish:

Drawn by: Jess Gardner

Dimensions: mm

Scale: 1:5

A3

