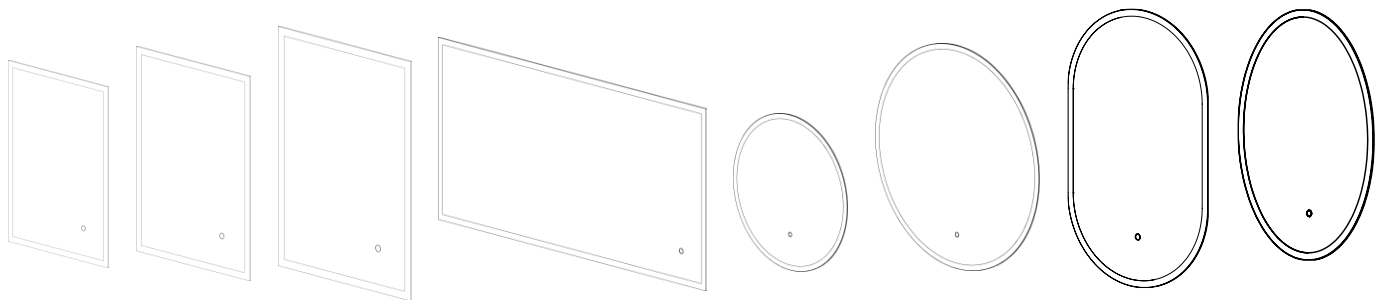


Technical Data Sheet

BETA



Box Contents:

Beta Mirror | 2x wall plugs | 2x screws | Instructions booklet

Materials

Frame Material: Extruded Aluminium

Glass: 5mm PVC Backed

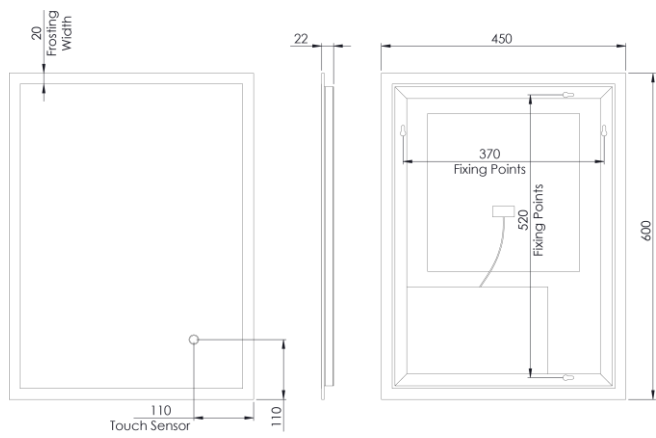
FAQ's:	Units	BTM045	BTM050	BTM060	BTM120	BTM60C	BTM80C	BTM50P	BTM50V	
Why are the lights not switching on?	-	Please note: After the mirror is connected to power for the first time, it may take up to 5 minutes for the sensor to calibrate and become fully responsive.								
Can the mirror be hung landscape?	-	Yes			No		Yes	No		
What is the thickness of the mirror glass?	mm	5								
Is the mirror IP44 rated?	-	Yes – Suitable for use in bathroom zone 2								
What size fuse should I use?	-	Seek the advice of an electrician								
What is the total power consumption?	W	37.6	41.9	53.6	84.9	30.6	47.1	31.3	28.4	
Does the mirror have an energy rating?	-	Yes – It has an energy rating of: F								
What is the colour of the light and the Kelvin rating?	K	3000 - 6500								
What is the Lumen of the LEDs?*	Lms	2160	2484	2953	3888	1908	2628	1395	1193	
What is the wattage of the lights?	W	19.7	22.6	26.9	35.4	17.4	24.0	20.3	17.4	
Where is the touch sensor located?	-	Lower Right			Centre front					
Can the LED lighting be replaced?	-	No								
Can the sensor be replaced?	-	Yes								
What is the output of the demister pad?	W	17.9	19.3	26.7	49.5	13.2	23.1	11	11	
What are the dimensions of the demister pad? (L x W)	mm	290 x 280	350 x 250	450 x 270	750 x 300	200 x 300	350 x 300	200 x 250	200 x 250	
How do I turn on the demister pad?	-	The demister pad will turn on when the LEDs are turned on.								
Are illuminated mirrors supplied with mains cable?	-	All illuminated mirrors are supplied with a removeable 500mm mains cable. There is ample storage for excess cable in the back of the unit.								

Dimensions are subject to change; customers are advised to measure actual product before commencing installation.

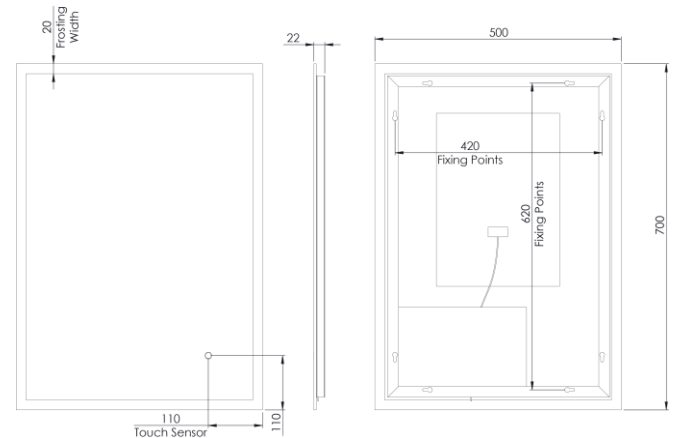
Fixing point dimensions are for guidance only/the positions of wall fixing must be checked when product is received.

*The Lumen represents the output of the LED. This may vary depending on the diffuser material i.e., glass or acrylic.

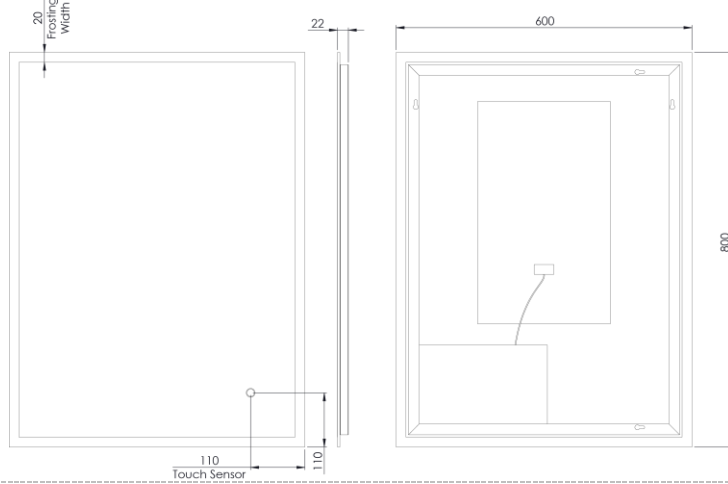
BTM045



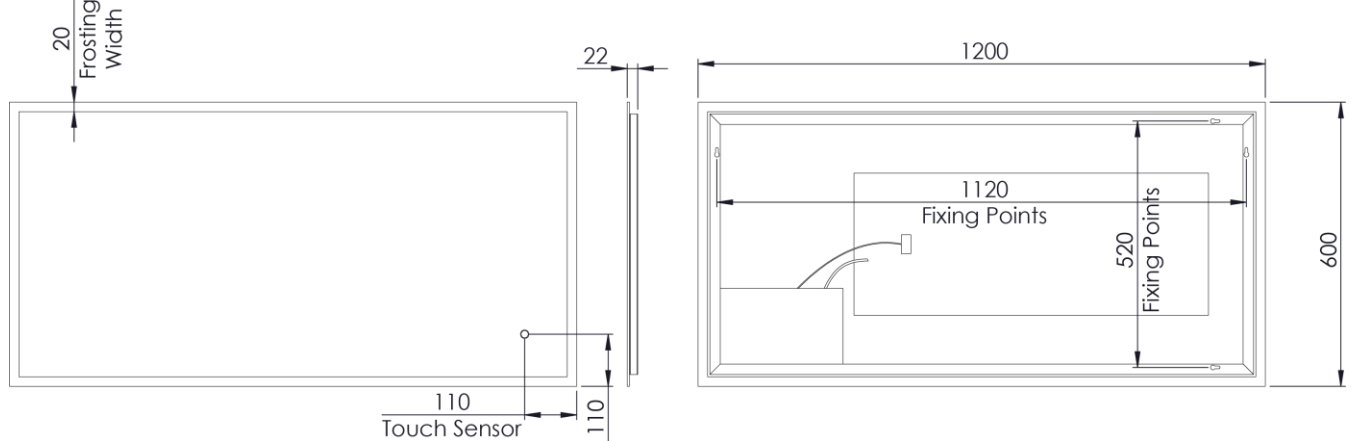
BTM050



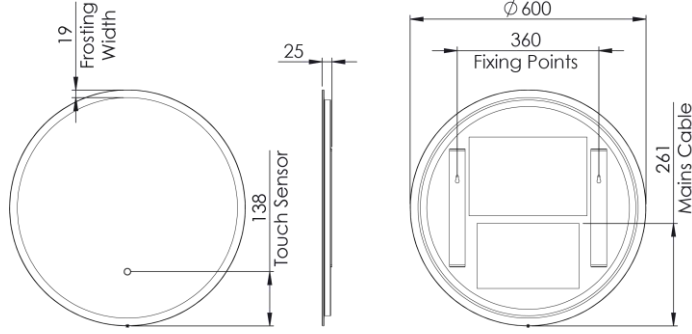
BTM060



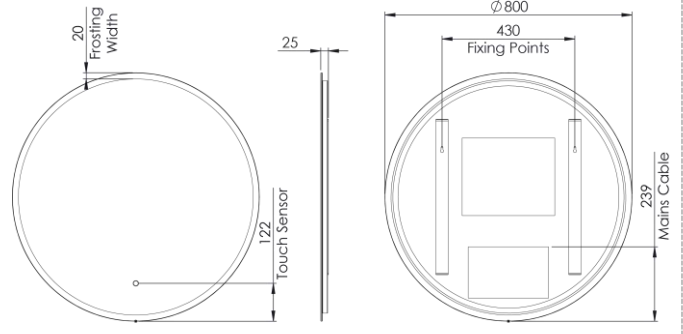
BTM120



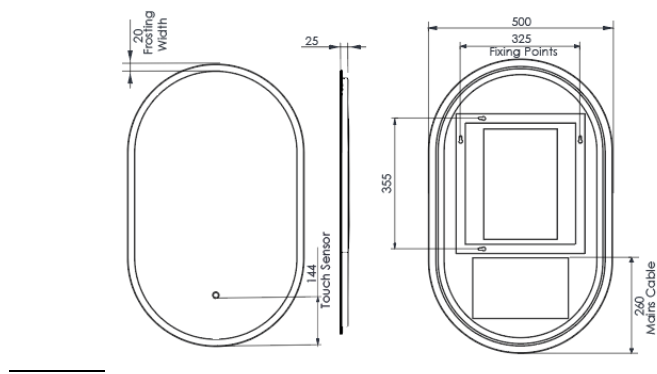
BTM60C



BTM80C



BTM50P



BTM50V

