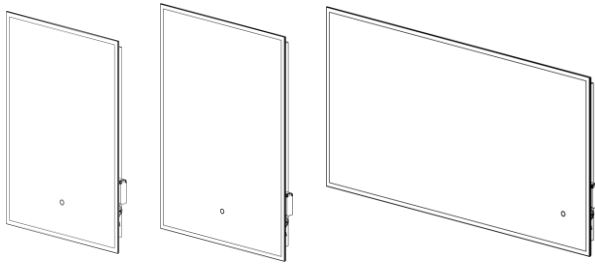


Technical Data Sheet

CADENCE



Box Contents:

Cadence Mirror | 2x wall plugs | 2x screws | Instructions booklet

Materials

Frame Material: Extruded Aluminium

Glass: 5mm PVC Backed

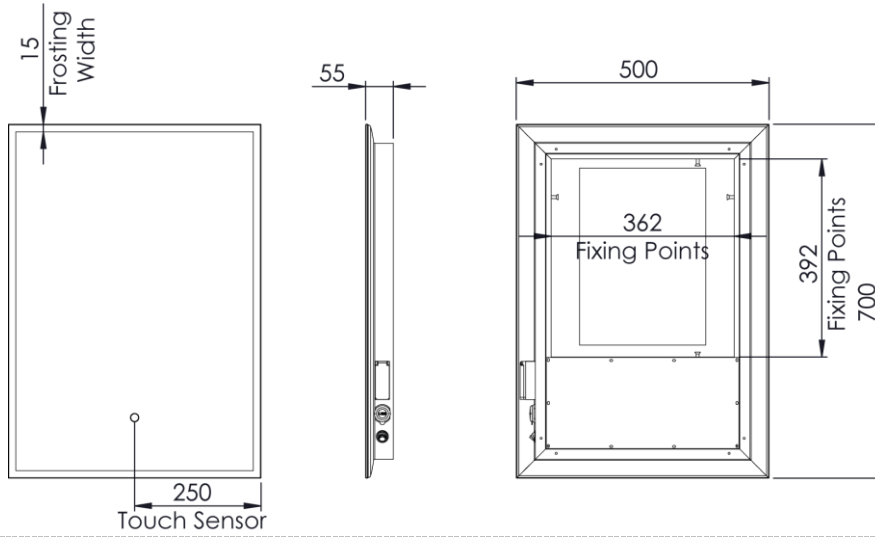
FAQ's:	Units	CDM050	CDM060	CDM120
Can the mirror be hung landscape?	-	Yes		No
What is the thickness of the mirror glass?	mm	5		
Is the mirror IP44 rated?	-	Yes – Suitable for use in bathroom zone 2		
What size fuse should I use?	-	Seek the advice of an electrician		
What is the total power consumption?	W	35.2	45.3	74.4
Does the mirror have an energy rating?	-	Yes – It has an energy rating of: F		
What is the colour of the light and the Kelvin rating?	K	6000		
What is the Lumen of the LEDs?*	Lms	1785	42121	2793
What is the wattage of the lights?	W	15.9	18.9	24.9
Where is the Touch sensor/rocker switch located?	-	Bottom Centre		Bottom Right
Where are the shaver socket and USB socket located?	-	Lower right side		
Can the LED lighting be replaced?	-	No		
Can the Touch sensor be replaced?	-	Yes		
What is the output of the demister pad?	W	19.3	26.4	49.5
What are the dimensions of the demister pad? (L x W)	mm	250 x 350	300 x 400	750 x 300
How do I turn on the demister pad?	-	The demister pad will turn on when the LEDs are turned on.		
Are illuminated mirrors supplied with mains cable?	-	All illuminated mirrors are supplied with a removeable 500mm mains cable. There is ample storage for excess cable in the back of the unit.		

Dimensions are subject to change; customers are advised to measure actual product before commencing installation.

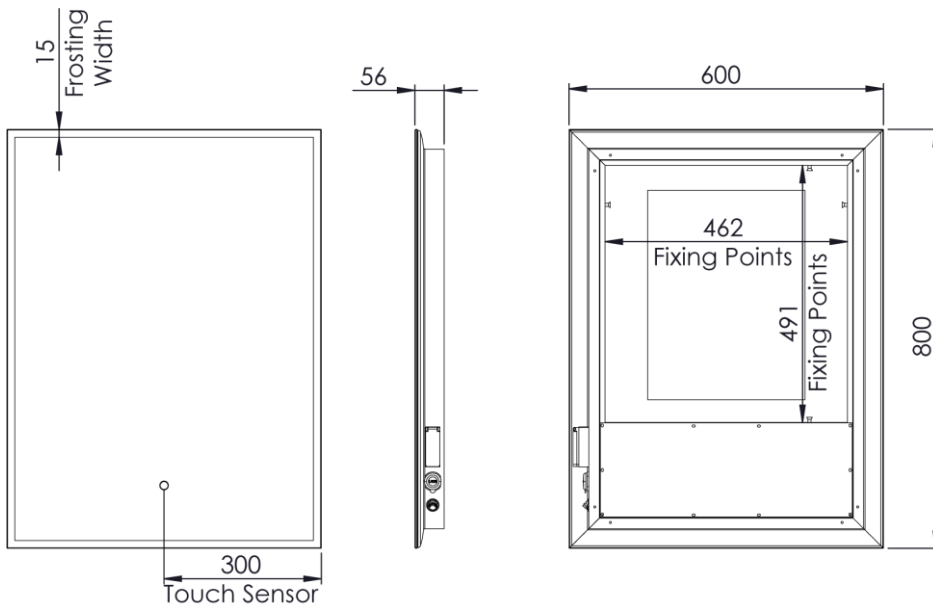
Fixing point dimensions are for guidance only/the positions of wall fixing must be checked when product is received.

***The Lumen represents the output of the LED. This may vary depending on the diffuser material i.e., glass or acrylic.**

CDM050



CDM060



CDM120

