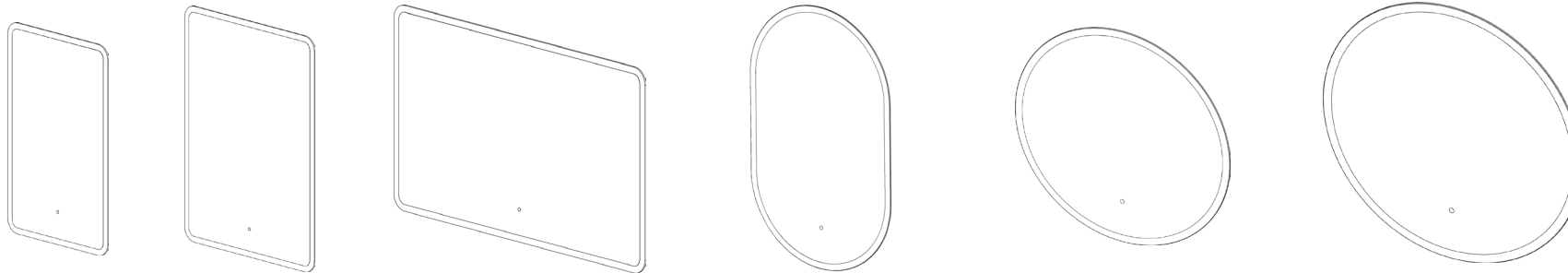


Technical Data Sheet

COVERT



BOX CONTENTS:

Covert Mirror | Instructions booklet | Fixings – WFKMC-1

FAQ's:	Units	CTM045	CTM060	CTM100	CTM50P	CTM60C	CTM80C
Can the mirror be hung landscape?	-	Yes					No
What is the thickness of the mirror glass?	mm	5	5	5	5	5	5
Is the mirror IP44 rated?	-	Yes – Suitable for use in bathroom zone 2					
What size fuse should I use?	-	Seek the advice of an electrician					
Where is the IR sensor/rocker switch located?	-	Front Centre Bottom					
Can the LED lighting be replaced?	-	No**					
Can the IR sensor be replaced?	-	Yes					
How do I turn on the demister pad?	-	The demister pad will turn on when the LEDs are turned on.					
Are illuminated mirrors supplied with mains cable?	-	All illuminated mirrors are supplied with a removeable 500mm mains cable. There is ample storage for excess cable in the back of the unit.					

5 Year Guarantee

We have complete confidence in this R2 bathroom Mirror and as such it is offered with a 5-year guarantee against defects in manufacture. The electronics are covered by our 2-year guarantee. In the unlikely event that this product should fail during the guarantee period we will either replace the faulty part or the complete unit as appropriate.

Dimensions are subject to change; customers are advised to measure actual product before commencing installation.

Fixing point dimensions are for guidance only/the positions of wall fixing must be checked when product is received.

*The Lumen represents the output of the LED. This may vary depending on the diffuser material i.e., glass or acrylic.

**The LEDs are not replaceable to maintain the integrity of the product's resistance to moisture ingress

***All wattage values have a tolerance of +/- 10%

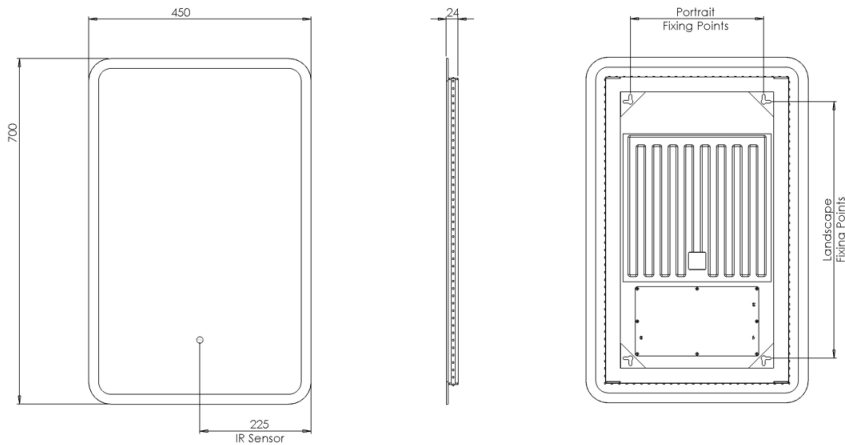
ELECTRICAL SPECIFICATION

	Input Voltage	Lamp Type	Total Wattage (LED & Demist)***	Demist (W)***	Demist Size (mm)	LEDs (W)***	LED (lm)*	Energy Rating	CCT (K)	CRI	IP Rating	Electrical Class
CTM045	220-240V 50Hz	12V DC LED Lamp	32.2	17.2	270*290	15.0	1680	F	6500	80	IP44	Class II
CTM060	220-240V 50Hz	12V DC LED Lamp	36.0	17.2	270*290	18.8	2100	F	6500	80	IP44	Class II
CTM100	220-240V 50Hz	12V DC LED Lamp	46.5	24.8	450*250	21.8	2436	F	6500	80	IP44	Class II
CTM60C	220-240V 50Hz	12V DC LED Lamp	30.5	13.2	200*300	17.3	1386	F	6500	80	IP44	Class II
CTM80C	220-240V 50Hz	12V DC LED Lamp	47.0	23.1	300*350	23.9	1911	F	6500	80	IP44	Class II
CTM50P	220-240V 50Hz	12V DC LED Lamp	30.9	16.5	250*300	14.4	1848	F	6500	80	IP44	Class II

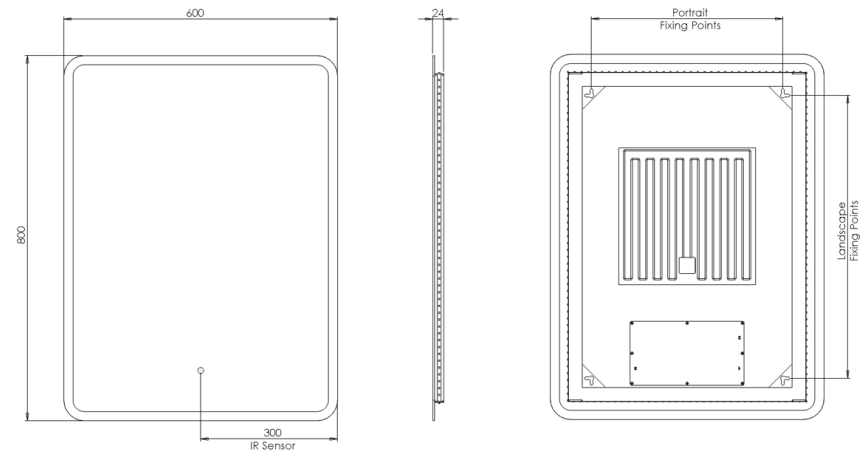
TECHNICAL DRAWINGS

When hanging the mirror, please measure the distance between the fixing points.

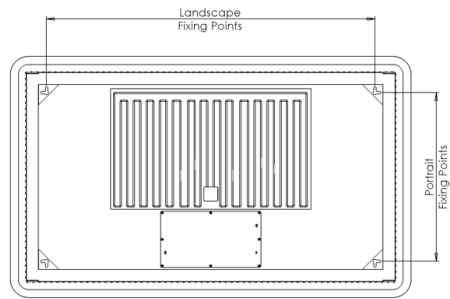
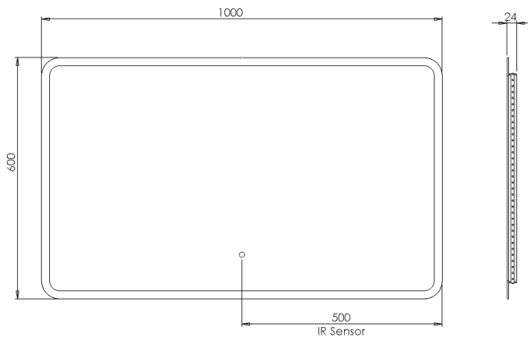
CTM045



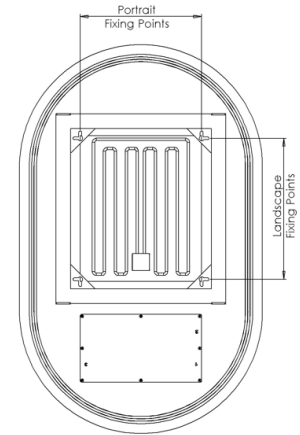
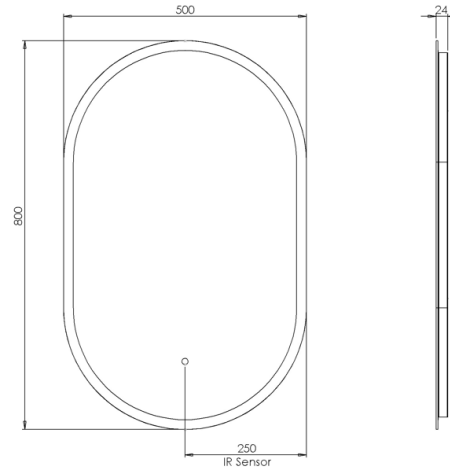
CTM060



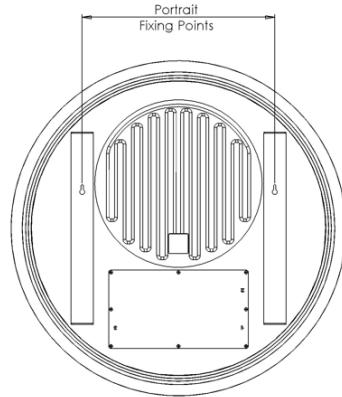
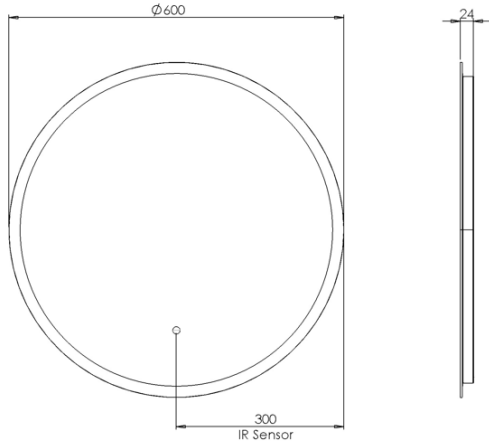
CTM100



CTM50P



CTM60C



CTM80C

