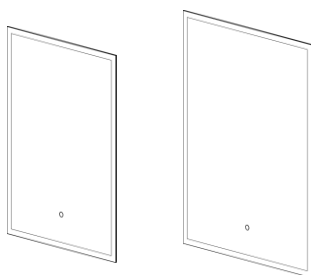


FINE



Box Contents:

Fine Mirror | Instructions booklet | 2x wall plugs | 2x screws

Materials

Frame Material: Extruded Aluminium

Glass: 5mm PVC Backed

FAQ's:	Units	FTM050	FTM060
Can the mirror be hung landscape?	-	Yes	
What is the thickness of the mirror glass?	mm	5	
Is the mirror IP44 rated?	-	Yes – Suitable for use in bathroom zone 2	
What size fuse should I use?	-	Seek the advice of an electrician	
What is the total power consumption?	W	39	50
Does the mirror have an energy rating?	-	Yes – It has an energy rating of: F	
What is the colour of the light and the Kelvin rating?	K	2700 - 6500	
What is the lumens of the LEDs? *	Lms	5300	6300
What is the wattage of the lights?	W	23	27
Where is the IR sensor/rocker switch located?	-	Front middle	
Where is the shaver socket located?	-		
Can the LED lighting be replaced?	-	No**	
Can the Touch sensor be replaced?	-	Yes	
What is the output of the demister pad?	W	16	23
What are the dimensions of the demister pad? (L x W)	mm	250 x 300	300 X 350
How do I turn on the demister pad?	-	The demister pad will turn on when the LEDs are turned on.	
Are illuminated mirrors supplied with mains cable?	-	All illuminated mirrors are supplied with a removeable 500mm mains cable.	

5 Year Guarantee

We have complete confidence in this R2 bathroom Mirror and as such it is offered with a 5-year guarantee against defects in manufacture. The electronics are covered by our 2-year guarantee. In the unlikely event that this product should fail during the guarantee period we will either replace the faulty part or the complete unit as appropriate.

Dimensions are subject to change, customers are advised to measure actual product before commencing installation.

Fixing point dimensions are for guidance only/the positions of wall fixing must be checked when product is received.

***The Lumen represents the output of the LED. This may vary depending on the diffuser material i.e., glass or acrylic.**

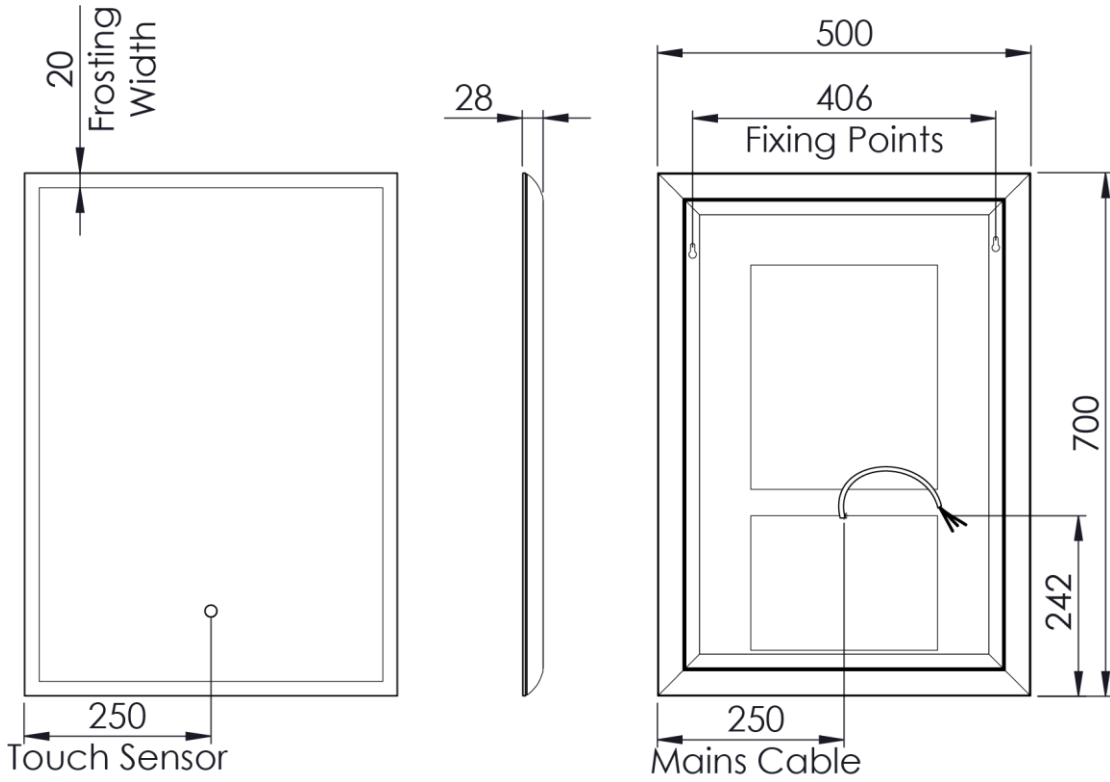
****The LEDs are not replaceable to maintain the integrity of the product's resistance to moisture ingress.**

R2, Brassmill Lane Trading Estate, Bath BA1 3JF

TEL: 01225 303 900 | techsupport@r2bathrooms.co.uk

www.r2bathrooms.co.uk/

FTM050



FTM060

