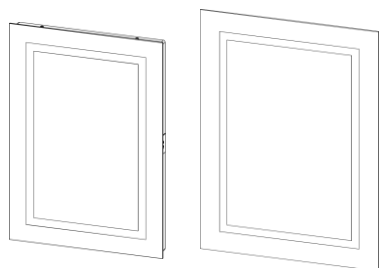


IMPRESSION



Box Contents:

Impression Mirror | Instructions booklet | 2x wall plugs | 2x screws

Materials

Frame Material: Sheet Aluminium

Glass: 5mm PVC Backed

FAQ's:	Units	IPM050	IPM060
Important installation requirement	-	The product must be installed with a minimum distance of 150mm between the infrared sensor and an adjacent wall or obstruction to ensure correct function of the sensor.	
Where is the IR sensor/rocker switch located?	-	Front underside in the middle	
Can the mirror be hung landscape?	-	No	
What is the thickness of the mirror glass?	mm	5	
Is the mirror IP44 rated?	-	Yes – Suitable for use in bathroom zone 2	
What size fuse should I use?	-	Seek the advice of an electrician	
What is the total power consumption?	W	27	39
Does the mirror have an energy rating?	-	Yes – It has an energy rating of: F	
What is the colour of the light and the Kelvin rating?	K	6000	
What is the wattage of the lights?	W	10	12
Can the LED lighting be replaced?	-	No	
Can the IR sensor be replaced?	-	Yes	
What is the output of the demister pad?	W	17	27
What are the dimensions of the demister pad? (L x W)	mm	250 x 310	270 X 450
How do I turn on the demister pad?	-	The demister pad will turn on when the LEDs are turned on.	
Are illuminated mirrors supplied with mains cable?	-	All illuminated mirrors are supplied with a removeable 500mm mains cable.	

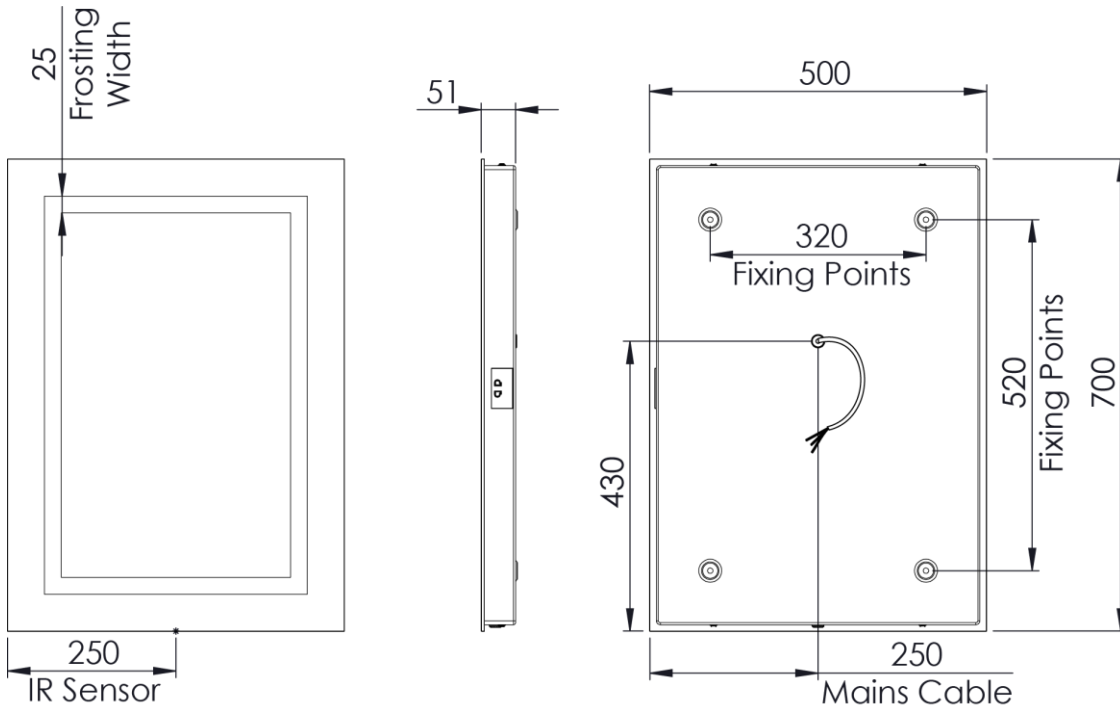
5 Year Guarantee

We have complete confidence in this R2 bathroom Mirror and as such it is offered with a 5-year guarantee against defects in manufacture. The electronics are covered by our 2-year guarantee. In the unlikely event that this product should fail during the guarantee period we will either replace the faulty part or the complete unit as appropriate.

*Dimensions are subject to change, customers are advised to measure actual product before commencing installation.

**Fixing point dimensions are for guidance only/the positions of wall fixing must be checked when product is received.

IPM050



IPM060

