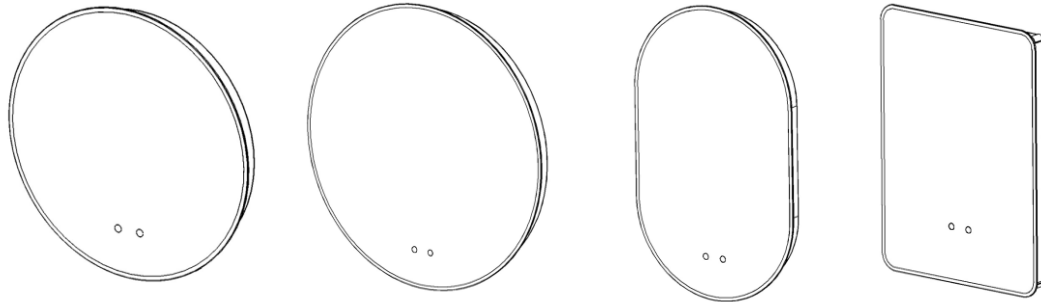


TECHNICAL DATA SHEET

LEVITATE MIRRORS



BOX CONTENTS:

Levitate Mirror | Instructions booklet | Fixings – WFKMC 1

FAQ's

	Units	LVM60C	LVM80C	LVM50P	LVM050
Can the mirror be hung landscape?	-		No		Yes
Does this mirror have frosting?		Yes, 10mm wide			
What is the thickness of the mirror glass?	mm	4mm			
Is the mirror IP44 rated?	-	Yes – Suitable for use in bathroom zone 2			
Where is the touch sensor located?	-	At the bottom, centre of mirror			
How do I turn on the demister pad?		Press the right touch sensor with the demister icon, touch sensor will turn red when on. Demister automatically turns off after 30 minutes. See user manual for more information.			
Where is the shaver socket located?	-	Bottom of mirror when portrait.			
Can the LED lighting be replaced?	-	No			
What is the shaver socket rated wattage?	W	17.25			
Can the touch sensor be replaced?	-	Yes			
What size fuse should I use?	-	Seek the advice of an electrician			
Are illuminated mirrors supplied with mains cable?	-	All illuminated cabinets/mirrors are supplied with a removeable 500mm mains cable. There is ample storage for excess cable in the back of the unit.			

TECHNICAL DATA SHEET

ELECTRICAL SPECIFICATION

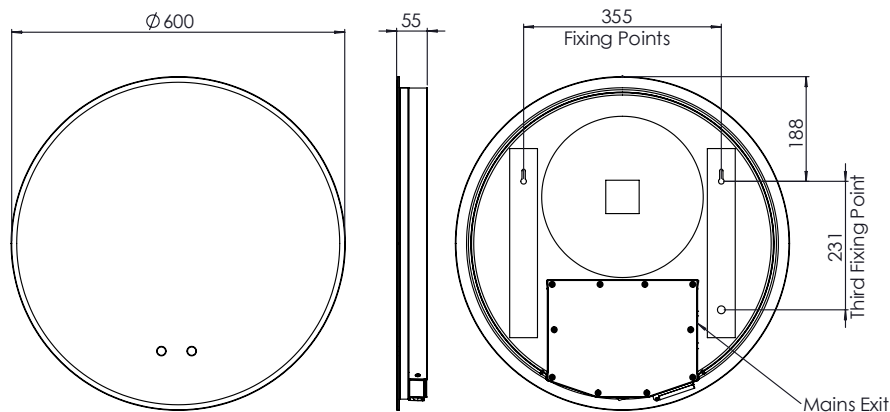
	Input Voltage	Lamp Type	Total Wattage (LED & Demist)	Demist (W)	Demist Size (mm)	LEDs (W)	LED (lm)*	Energy Rating	CCT (K)	CRI	IP Rating	Electrical Class
LVM60C	220-240V 50Hz	12V DC LED Lamp	31.3	13.5	φ280	17.7	1944	F	3000-6000	80	IP44	Class II
LVM80C	220-240V 50Hz	12V DC LED Lamp	45.4	21.2	φ350	24.3	2664	F	3000-6000	80	IP44	Class II
LVM50P	220-240V 50Hz	12V DC LED Lamp	40.4	19.7	280*320	20.7	2268	F	3000-6000	80	IP44	Class II
LVM050	220-240V 50Hz	12V DC LED Lamp	42.0	19.7	280*320	22.3	2448	F	3000-6000	80	IP44	Class I

TECHNICAL DRAWINGS

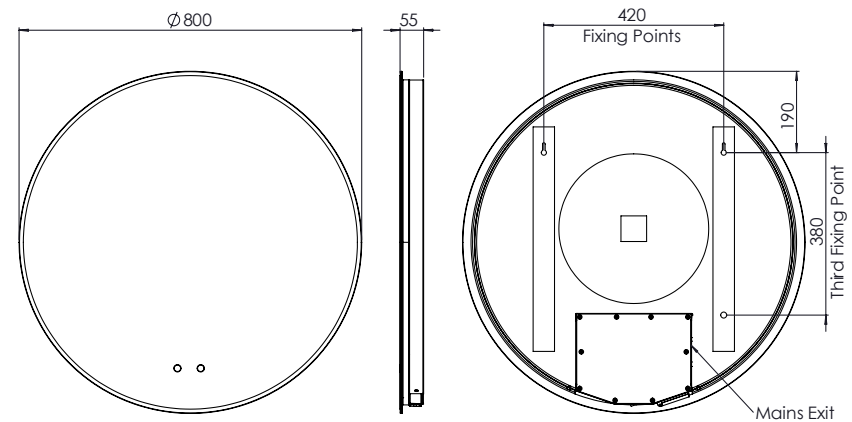
Please note:

- Dimensions are subject to change. Customers are advised to measure actual product dimensions before commencing installation.
- Fixing point dimensions are for guidance only/the positions of wall fixing must be checked when product is received.
- *The LED (lm) values represent the output of the LED. Actual product level lumen output may vary depending on the diffuser material i.e. glass or acrylic.

LVM60C



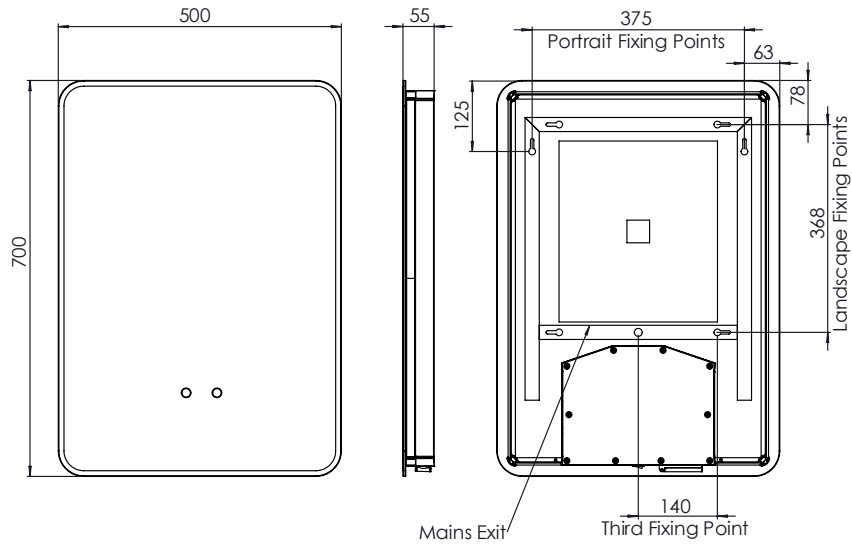
LVM80C



TECHNICAL DATA SHEET



LVM050



LVM50P

