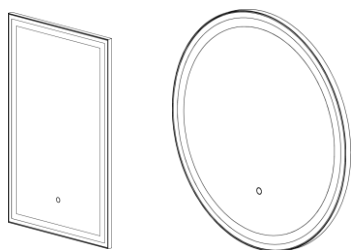


# NOUVEAU



## Box Contents:

Nouveau Mirror | Instructions booklet | 2x wall plugs | 2x screws

## Materials

*Frame Material:* Extruded Aluminium

*Glass:* 5mm PVC Backed

FAQ's:	Units	NVM045	NVM60C
Can the mirror be hung landscape?	-	No	
What is the thickness of the mirror glass?	mm	5	
Is the mirror IP44 rated?	-	Yes – Suitable for use in bathroom zone 2	
What size fuse should I use?	-	Seek the advice of an electrician	
What is the total power consumption?	W	27.5	23.5
Does the mirror have an energy rating?	-	Yes – It has an energy rating of: F	
What is the colour of the light and the Kelvin rating?	K	6000	
What is the Lumen of the lights?	Lms	1596	1323
What is the wattage of the lights?	W	14.3	11.8
Where is the Touch sensor/rocker switch located?	-	Front middle	
Can the LED lighting be replaced?	-	No	
Can the Touch sensor be replaced?	-	Yes	
What is the output of the demister pad?	W	13.2	11.7
What are the dimensions of the demister pad? (L x W)	mm	200 x 300	190 X 280
How do I turn on the demister pad?	-	The demister pad will turn on when the LEDs are turned on.	
Are illuminated mirrors supplied with mains cable?	-	All illuminated mirrors are supplied with a removeable 500mm mains cable.	

## 5 Year Guarantee

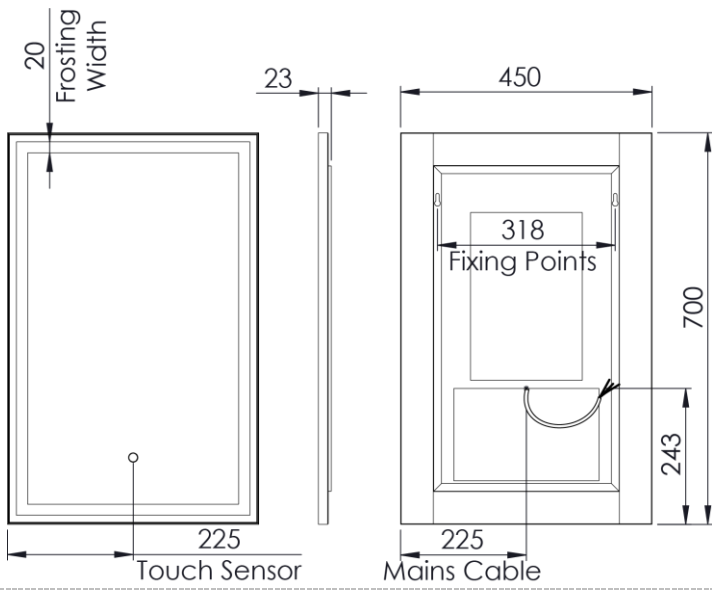
We have complete confidence in this R2 bathroom Mirror and as such it is offered with a 5-year guarantee against defects in manufacture. The electronics are covered by our 2-year guarantee. In the unlikely event that this product should fail during the guarantee period we will either replace the faulty part or the complete unit as appropriate.

\*Dimensions are subject to change, customers are advised to measure actual product before commencing installation.

\*\*Fixing point dimensions are for guidance only/the positions of wall fixing must be checked when product is received.

R2, Brassmill Lane Trading Estate, Bath BA1 3JF  
 TEL: 01225 303 900 | [techsupport@r2bathrooms.co.uk](mailto:techsupport@r2bathrooms.co.uk)  
[www.r2bathrooms.co.uk/](http://www.r2bathrooms.co.uk/)

**NVM045**



**NVM60C**

