

Technical Datasheet

Oxygen Mirrors



Box Contents

Oxygen Mirror | Fixing Kit | Instructions booklet

FAQ

	Units	XGM60C-XX	XGM50P-XX	XGM80C-XX
Can the mirror be hung landscape?	-	Portrait Only		
What is the thickness of the mirror glass?	mm	5		
What size fuse should I use?	-	Seek the advice of an electrician		
Where is the switch sensor located?	-	Front Centre		
Can the LED lighting be replaced?	-	No		
Can the switch sensor be replaced?	-	Yes		
How do I turn on the demister pad?	-	The demister pad will turn on when the LEDs are turned on.		
Are illuminated mirrors supplied with mains cable?	-	All illuminated cabinets/mirrors are supplied with a removeable 500mm mains cable.		
Why are the lights not switching on?	-	Please note: After the mirror is connected to power for the first time, it may take up to 5 minutes for the sensor to calibrate and become fully responsive.		

Technical Datasheet

Oxygen Mirrors

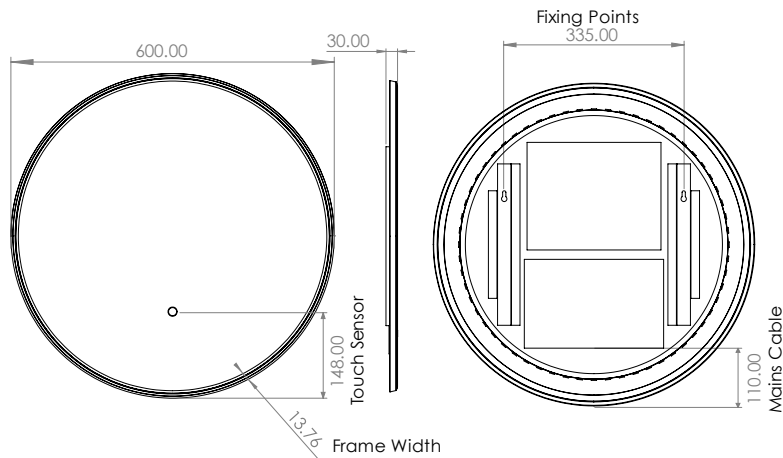
Electrical Specification

Product Code	Input Voltage	Lamp Type	Total Wattage (LED & Demist)	Demist (W)	Demist Size (mm)	LEDs (W)	LED (lm)	Energy Rating	CCT (K)	CRI	IP Rating	Electrical Class
XGM60C-XX	220-240V 50Hz	24V DC LED Lamp	25.6	11	200x250	16.6	1950	F	3000-6500	80	IP44	Class II
XGM80C-XX	220-240V 50Hz	24V DC LED Lamp	46.3	23.1	300x350	23.2	2730	F	3000-6500	80	IP44	Class II
XGM50P-XX	220-240V 50Hz	24V DC LED Lamp	32.4	13.2	300x350	19.2	2262	F	3000-6501	80	IP44	Class II

Please note:

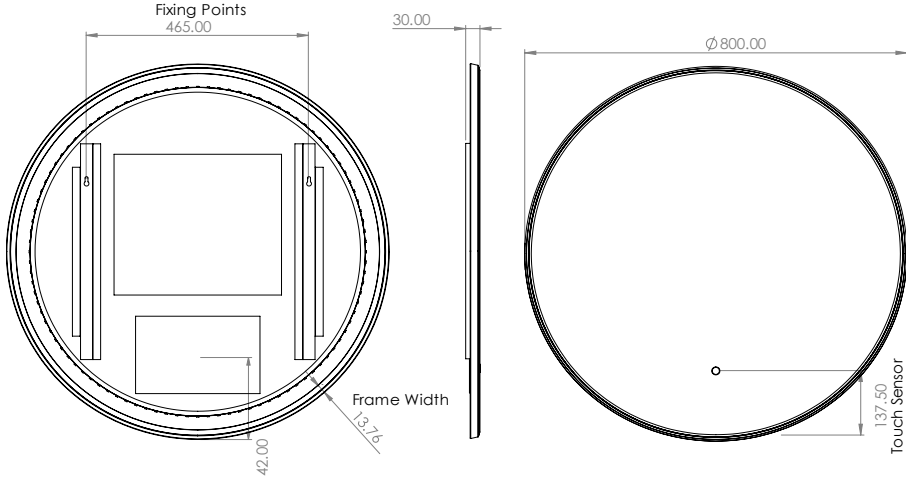
- Dimensions are subject to change. Customers are advised to measure actual product dimensions before commencing installation.
- Fixing point dimensions are for guidance only/the positions of wall fixing must be checked when product is received.
- The LED (lm) values represent the output of the LED. Actual product level Lumen output may vary depending on the diffuser material i.e., glass or acrylic.

XGM60C-XX



Technical Datasheet

XGM80C-XX



XGM50P-XX

