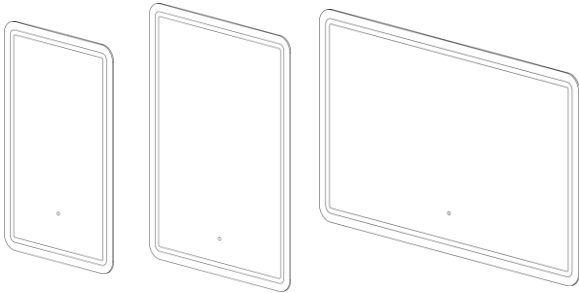


Technical Data Sheet

COVERT



Box Contents:

Pivot Mirror | 2x wall plugs | 2x screws | Instructions booklet

Materials

Frame Material: Extruded Plastic

Glass: 5mm PVC Backed

FAQ's:	Units	PVM045	PVM060	PVM100
Can the mirror be hung landscape?	-	Yes	Yes	Yes
What is the thickness of the mirror glass?	mm	5		
Is the mirror IP44 rated?	-	Yes – Suitable for use in bathroom zone 2		
What size fuse should I use?	-	Seek the advice of an electrician		
What is the total power consumption?	W	31	35	45
Does the mirror have an energy rating?	-	Yes – It has an energy rating of: F		
What is the colour of the light and the Kelvin rating?	K	6000		
What is the Lumen of the lights?	Lms	1554	1974	2310
What is the wattage of the lights?	W	14	18	21
Where is the IR sensor/rocker switch located?	-	Front Centre Bottom		
Can the LED lighting be replaced?	-	No		
Can the IR sensor be replaced?	-	Yes		
What is the output of the demister pad?	W	17	17	25
What are the dimensions of the demister pad? (L x W)	mm	270 x 290	270 x 290	250 x 450
How do I turn on the demister pad?	-	The demister pad will turn on when the LEDs are turned on.		
Are illuminated mirrors supplied with mains cable?	-	All illuminated mirrors are supplied with a removeable 500mm mains cable. There is ample storage for excess cable in the back of the unit.		

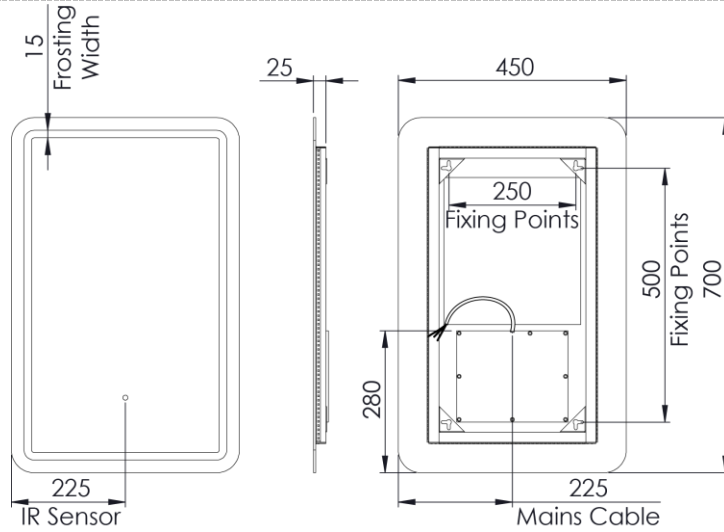
5 Year Guarantee

We have complete confidence in this R2 bathroom Mirror and as such it is offered with a 5-year guarantee against defects in manufacture. The electronics are covered by our 2-year guarantee. In the unlikely event that this product should fail during the guarantee period we will either replace the faulty part or the complete unit as appropriate.

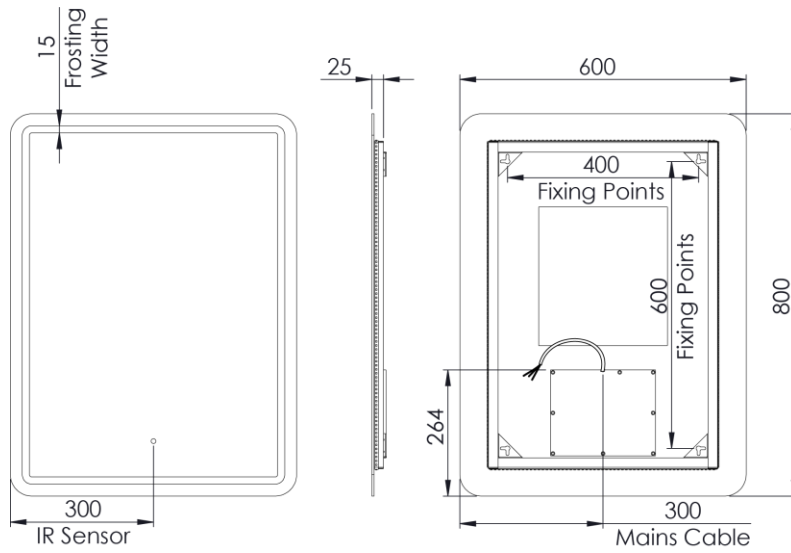
*Dimensions are subject to change, customers are advised to measure actual product before commencing installation.

**Fixing point dimensions are for guidance only/the positions of wall fixing must be checked when product is received.

PVM045



PVM060



PVM100

