

RITUAL MIRRORS

BOX CONTENTS: RITUAL Mirror | Instructions booklet | Fixing Kit | Wiz Smart Button

FAQ's

	Units	RLM050	RLM060	RLM60C	RLM80C	RLM100C
Can the mirror be hung landscape?	-	No	No	NA	NA	NA
What is the thickness of the mirror glass?	mm	5				
Where is the Light Switch located?	-	The mirror lights can be controlled by the Wiz App or by using the Smart Wiz Button supplied.				
Can the LED lighting be replaced?	-	No				
Where is the reset button to pair mirror located?	-	At the back of the mirror underneath the electrical components box.				
What size fuse should I use?	-	Seek the advice of an electrician				
How do I turn on the demister pad?	-	The demister pad is controlled via a fixed Touch sensor at the front of the mirror. The demister will automatically switch OFF after 30 minutes ON.				
Are illuminated cabinets/mirrors supplied with mains cable?	-	All illuminated cabinets/mirrors are supplied with a removeable 500mm mains cable. There is ample storage for excess cable in the back of the unit.				

For further FAQ's related to Wiz App go to: <https://www.roperrhodes.co.uk/smart-lighting>

ELECTRICAL SPECIFICATION

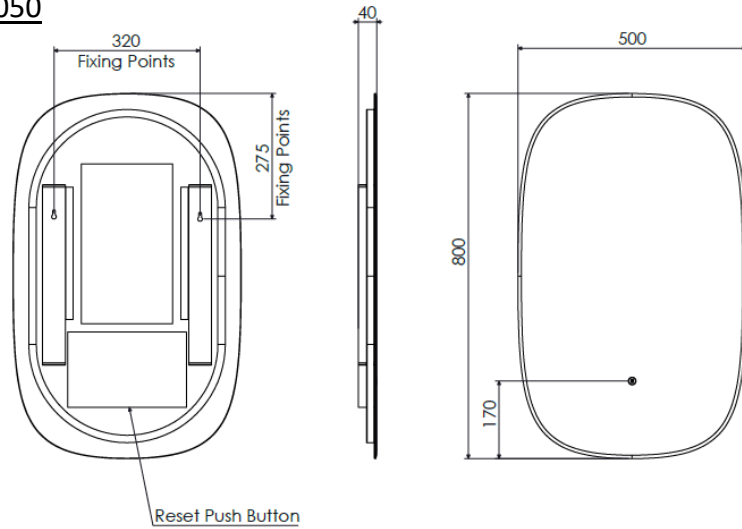
	Input Voltage	Lamp Type	Total Wattage (LED & Demist)	Demist (W)	Demist Size (mm)	LEDs (W)	LED (lm)	Energy Rating	CCT (K)	CRI	IP Rating	Electrical Class
RLM050	220-240V 50Hz	12V DC LED Lamp	35.1	15.4	200*350	19.7	2160	F	3000-6000	80	IP44	Class II
RLM060	220-240V 50Hz	12V DC LED Lamp	45.0	22.0	250*400	23.0	2520	F	3000-6000	80	IP44	Class II
RLM60C	220-240V 50Hz	12V DC LED Lamp	27.7	11.0	250*200	16.7	1836	F	3000-6000	80	IP44	Class II
RLM80C	220-240V 50Hz	12V DC LED Lamp	46.4	23.1	300*350	23.3	2556	F	3000-6000	80	IP44	Class II
RLM100C	220-240V 50Hz	12V DC LED Lamp	69.5	39.6	400*450	29.9	3276	F	3000-6000	80	IP44	Class II

Please note:

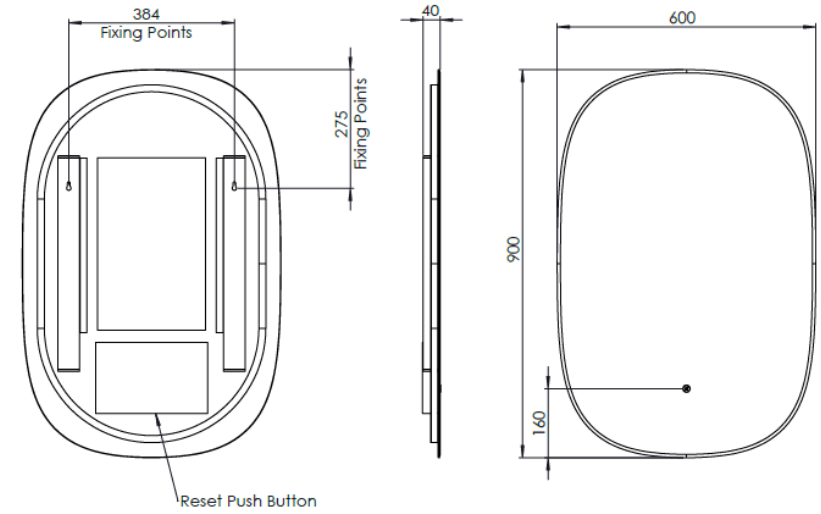
- Dimensions are subject to change. Customers are advised to measure actual product dimensions before commencing installation.
- Fixing point dimensions are for guidance only/the positions of wall fixing must be checked when product is received.
- The LED (lm) values represent the output of the LED. Actual product level Lumen output may vary depending on the diffuser material i.e., glass or acrylic.

TECHNICAL DRAWINGS

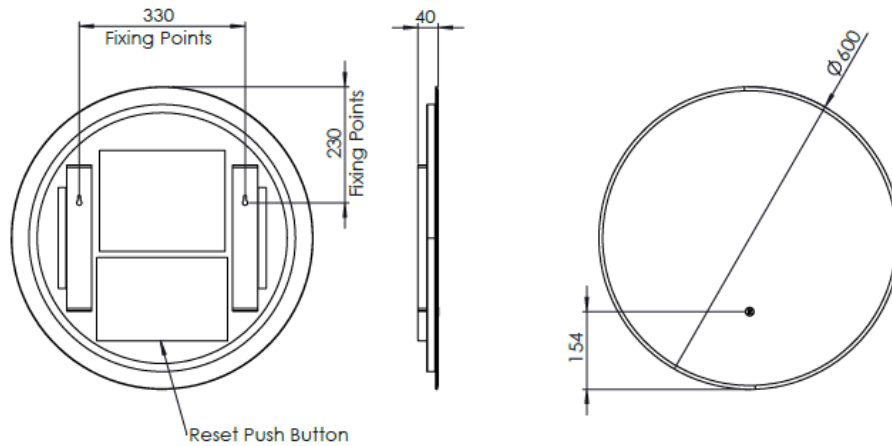
RLM050



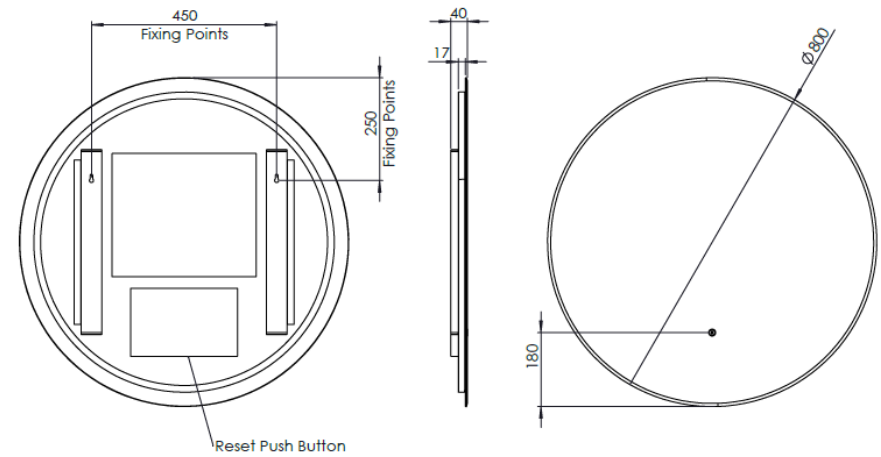
RLM060



RLM60C



RLM80C



TECHNICAL DATA SHEET

ROPER RHODES®

RLM100C

