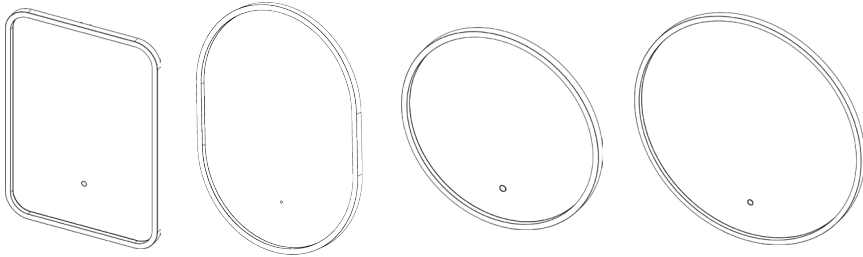


# Technical Data Sheet

## STEALTH



### Box Contents:

Stealth Mirror | Instruction's booklet | Fixings - WFKMC 1

FAQ's:	Units	SLM050-BL-BL / SLM050-BR-W / SLM050-GM-W	SLM60P-BL-BL / SLM60P-BR-W / SLM60P-GM-W	SLM60C-BL-BL / SLM60C-BR-W / SLM60C-GM-W	SLM80C-BL-BL / SLM80C-BR-W / SLM80C-GM-W
Can the mirror be hung landscape?	-	Yes		No	
What is the thickness of the mirror glass?	mm	5			
Is the mirror IP44 rated?	-	Yes – Suitable for use in bathroom zone 2			
What size fuse should I use?	-	Seek the advice of an electrician			
Where is the control sensor located?	-	Front Centre Bottom When Portrait			
Can the LED lighting be replaced?	-	No			
Can the control sensor be replaced?	-	Yes			
How do I turn on the demister pad?	-	The demister pad will turn on when the LEDs are turned on.			
Are illuminated mirrors supplied with mains cable?	-	All illuminated mirrors are supplied with a removeable 500mm mains cable. There is ample storage for excess cable in the back of the unit.			

### 5 Year Guarantee

We have complete confidence in this R2 bathroom Mirror and as such it is offered with a 5-year guarantee against defects in manufacture. The electronics are covered by our 2-year guarantee. In the unlikely event that this product should fail during the guarantee period we will either replace the faulty part or the complete unit as appropriate.

## ELECTRICAL SPECIFICATION

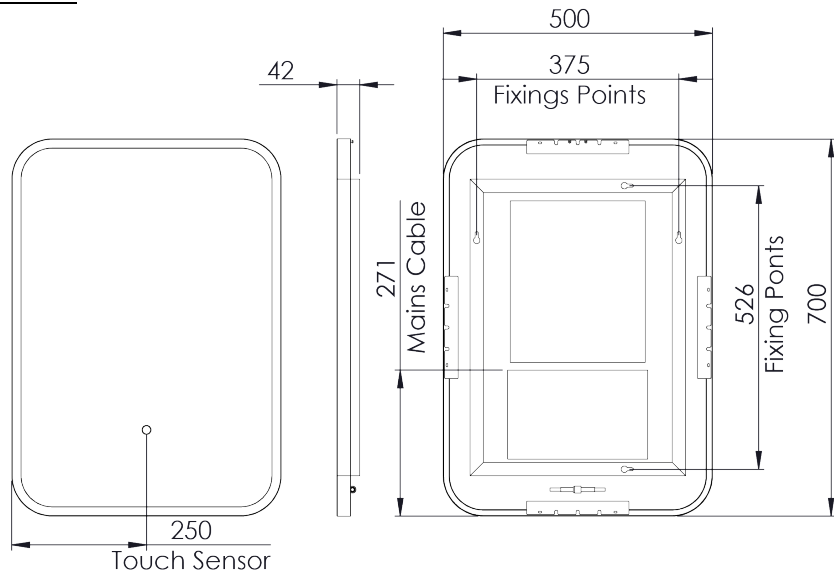
Product Code	Input Voltage	Lamp Type	Total Wattage (LED & Demist)	Demist (W)	Demist Size (mm)	LEDs (W)	LED (lm)	Energy Rating	CCT (K)	CRI	IP Rating	Electrical Class
<b>SLM60C-BL-BL</b>	220-240V 50Hz	12V DC LED Lamp	39.8	13.2	200*300	26.6	3283	E	4000	80	IP44	Class II
<b>SLM80C-BL-BL</b>	220-240V 50Hz	12V DC LED Lamp	58.5	23.1	300*350	35.4	4363	E	4000	80	IP44	Class II
<b>SLM050-BL-BL</b>	220-240V 50Hz	12V DC LED Lamp	48.4	16.5	250*300	31.9	3931	E	4000	80	IP44	Class II
<b>SLM60C-BR-W</b>	220-240V 50Hz	12V DC LED Lamp	35.1	13.2	200*300	21.9	2610	E	4000	80	IP44	Class II
<b>SLM80C-BR-W</b>	220-240V 50Hz	12V DC LED Lamp	52.2	23.1	300*350	29.1	3465	E	4000	80	IP44	Class II
<b>SLM050-BR-W</b>	220-240V 50Hz	12V DC LED Lamp	42.7	16.5	250*300	26.2	3123	E	4000	80	IP44	Class II
<b>SLM60P-GM-W</b>	220-240V 50Hz	12V DC LED Lamp	49.3	23.1	300*350	26.2	3915	D	4000	80	IP44	Class II
<b>SLM60P-BR-W</b>	220-240V 50Hz	12V DC LED Lamp	49.3	23.1	300*350	26.2	3915	D	4000	80	IP44	Class II
<b>SLM60P-BL-BL</b>	220-240V 50Hz	12V DC LED Lamp	55.3	23.1	300*350	32.2	3974	E	4000	80	IP44	Class II
<b>SLM60C-GM-W</b>	220-240V 50Hz	12V DC LED Lamp	35.1	13.2	200*300	21.9	2617	E	4000	80	IP44	Class II
<b>SLM80C-GM-W</b>	220-240V 50Hz	12V DC LED Lamp	52.2	23.1	300*350	29.1	3475	E	4000	80	IP44	Class II
<b>SLM050-GM-W</b>	220-240V 50Hz	12V DC LED Lamp	42.7	16.5	250*300	26.2	3132	E	4000	80	IP44	Class II

## Please note:

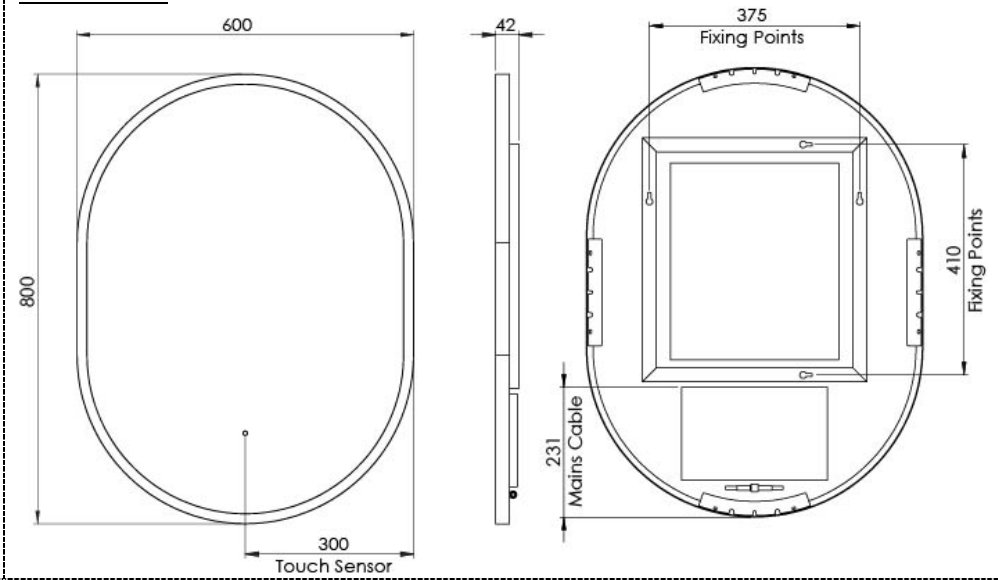
- Dimensions are subject to change. Customers are advised to measure actual product dimensions before commencing installation.
- Fixing point dimensions are for guidance only/the positions of wall fixing must be checked when product is received.
- The LED (lm) values represent the output of the LED. Actual product level Lumen output may vary depending on the diffuser material i.e., glass or acrylic.

TECHNICAL DRAWINGS

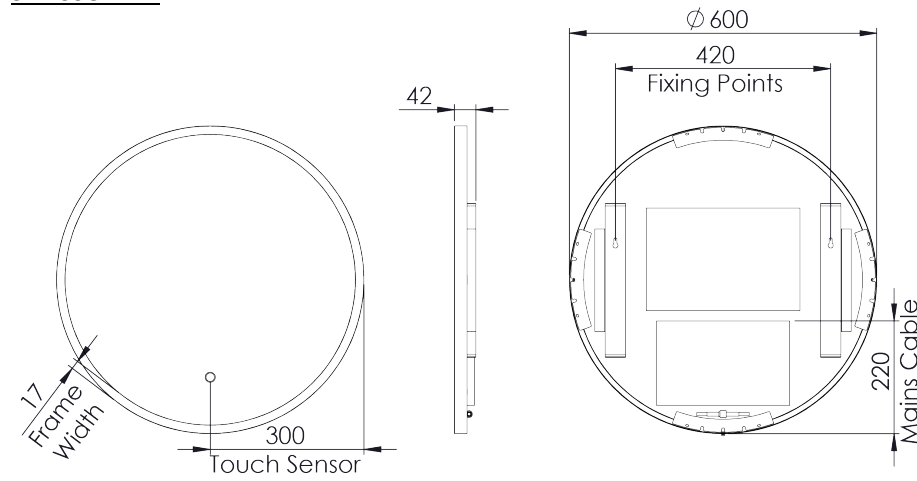
**SLM050-XX-X**



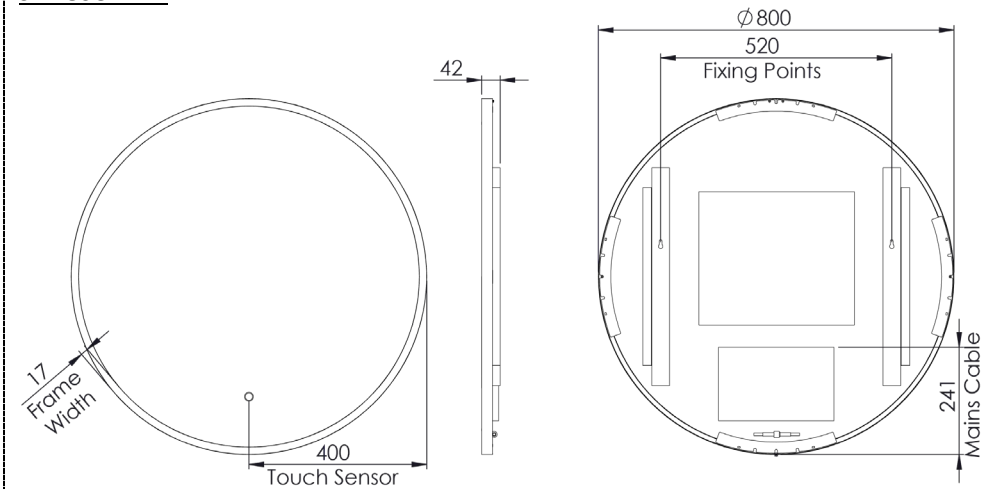
**SLM60P-XX-X**



**SLM60C-XX-X**



**SLM80C-XX-X**

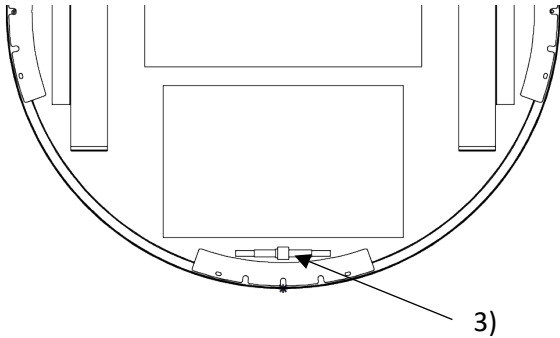


## Instructions - Changing the Frame:

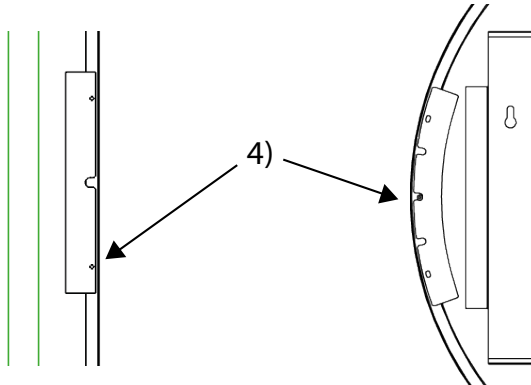
**Important:** Product must be turn off and isolated from the power supply before performing maintenance.

**Important:** Do not use a drill to undo the screws as it could damage them. Use a handheld Phillips screwdriver

- 1) Remove the mirror from the wall and disconnect the power supply.
- 2) Place the mirror on a protective surface with the mirror side down.
- 3) Disconnect the LEDs from the power connector.



- 4) Remove the screws on the metal brackets that connect the frame to the brackets.



- 5) Remove the mirror, brackets and electronics box from the frame (they should all be bonded together).
- 6) Place the mirror into the new frame and connect the LEDs to the power connector.
- 7) Screw the frame to the brackets.
- 8) Connect the mirror to the mains power supply and hang it on the wall.