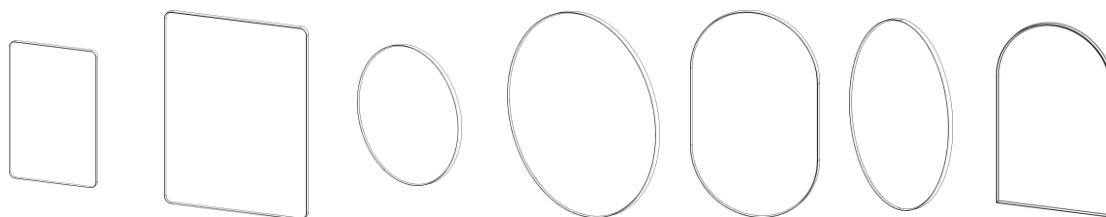


Non-Illuminated Mirror



Box Contents:

Non-Illuminated Mirror – Instructions booklet | 4x wall plugs | 4x screws | Hole Template

Materials

Frame Material: Extruded Aluminium

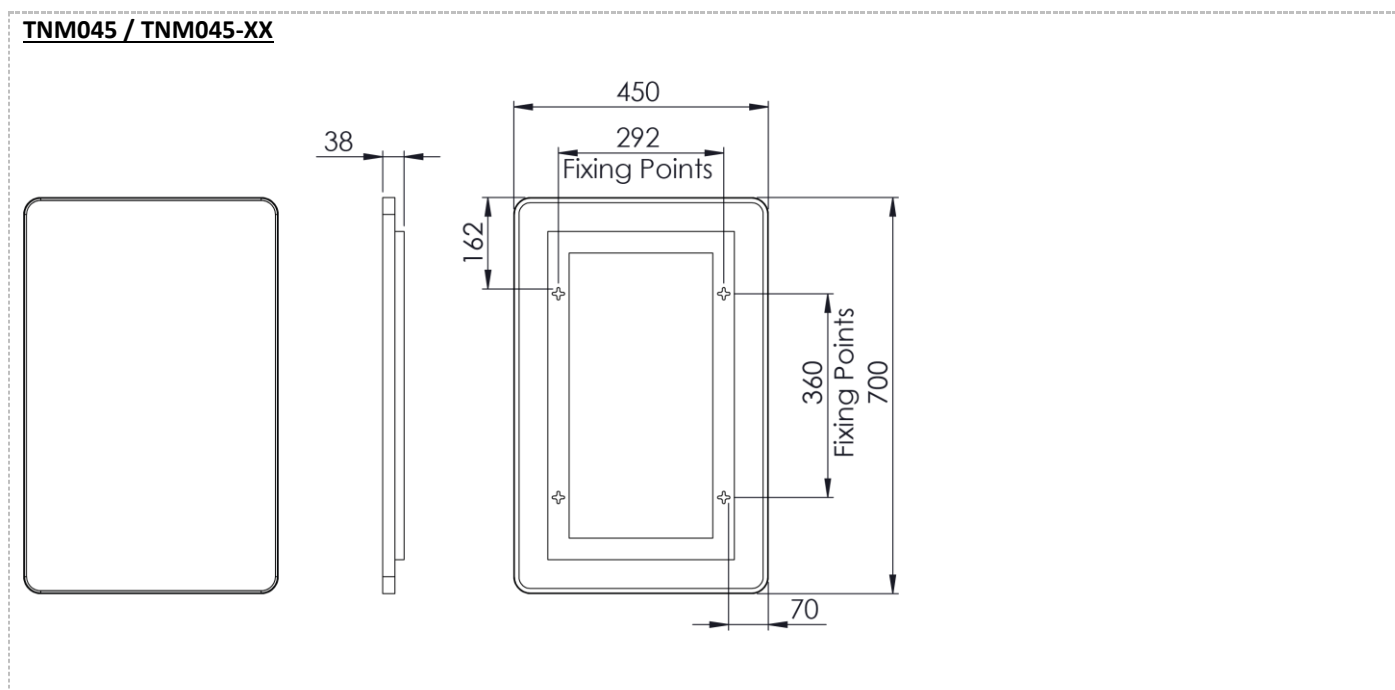
Glass: 5mm PVC Backed / 4mm PVC Backed - from PO4500030090 (Jan2025)

FAQ's:

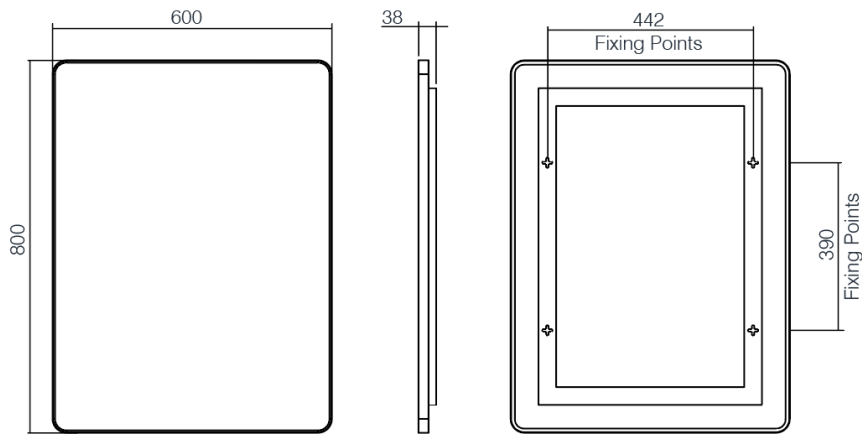
FAQ's:	Units	TNM045 TNM045-XX	TNM060 TNM060-XX	TNM50P TNM50P-XX	TNM50A-XX	TNM80C TNM80C-XX	TNM60C TNM60C-XX	TNM50V TNM50V-XX
Can the mirror be hung portrait & landscape?	-	Portrait & Landscape				Portrait Only		
What is the thickness of the mirror glass?	mm	5 4 (from PO4500030090)						

*Dimensions are subject to change; customers are advised to measure actual product before commencing installation.

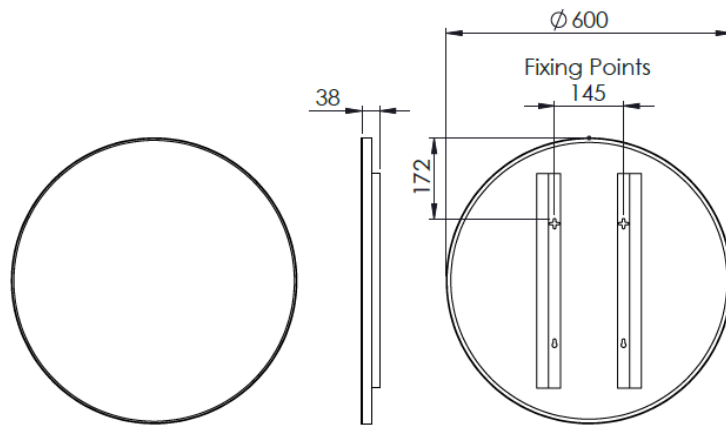
**Fixing point dimensions are for guidance only/the positions of wall fixing must be checked when product is received.



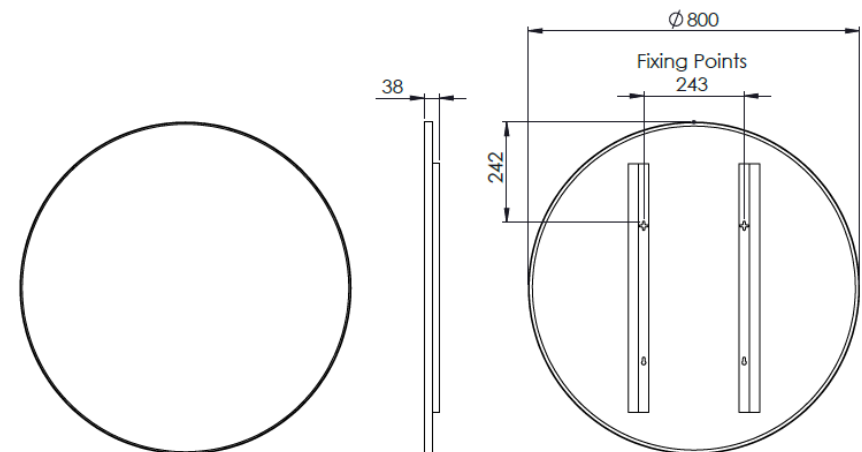
TNM060 / TNM060-XX



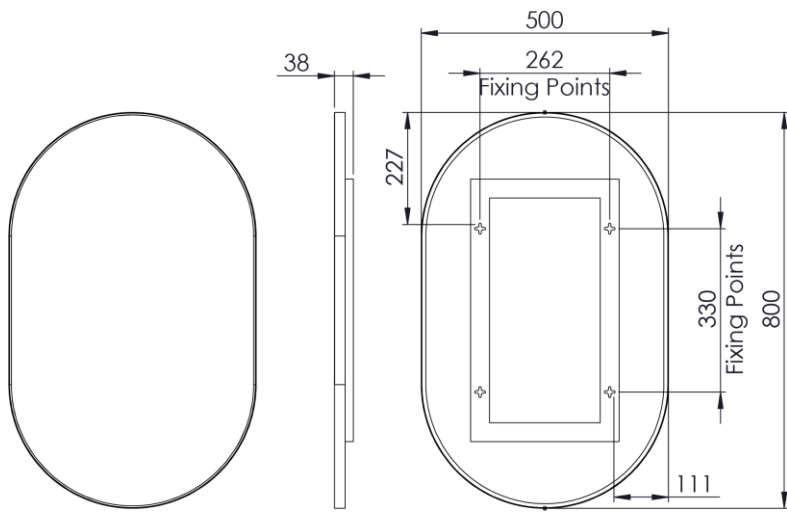
TNM60C / TNM60C-XX



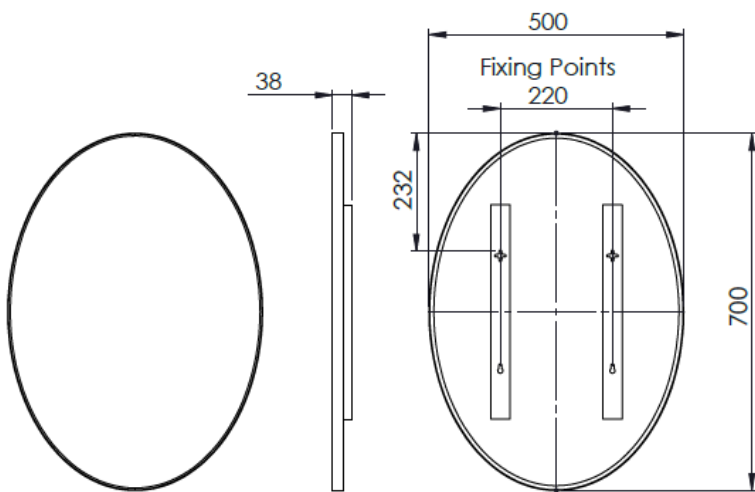
TNM80C / TNM80C-XX



TNM50P / TNM50P-XX



TNM50V / TNM50V-XX



TNM50A-XX

