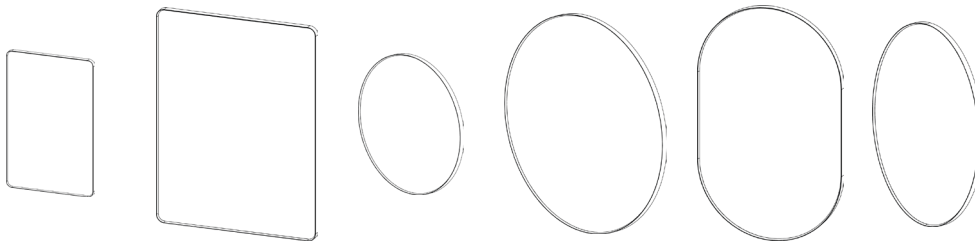


# Non-Illuminated Mirror



## Box Contents:

Non-Illuminated Mirror – Instructions booklet | 4x wall plugs | 4x screws | Hole Template

## Materials

*Frame Material:* Extruded Aluminium

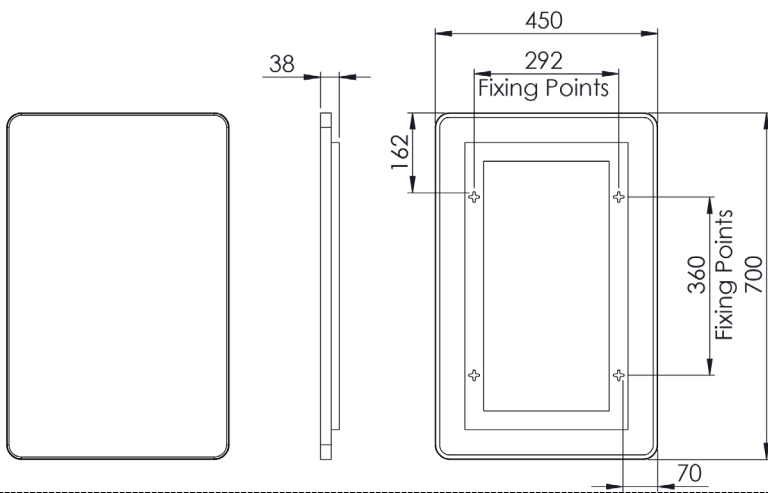
*Glass:* 5mm PVC Backed

FAQ's:	Units	VRM045	VRM060	VRM50P	VRM80C	VRM60C	VRM50V
Can the mirror be hung portrait & landscape?	-	Portrait & Landscape			Portrait Only		
What is the thickness of the mirror glass?	mm	5					
Is the mirror IP44 rated?	-	Yes – Suitable for use in bathroom zone 2					

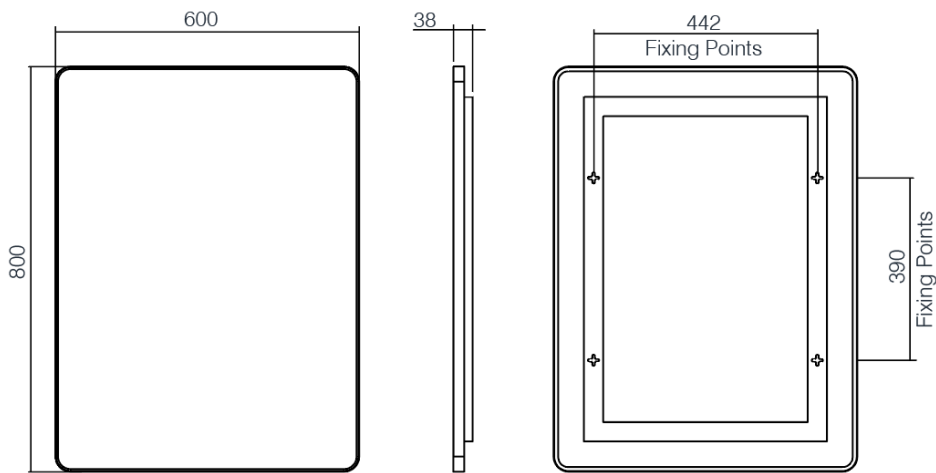
\*Dimensions are subject to change, customers are advised to measure actual product before commencing installation.

\*\*Fixing point dimensions are for guidance only/the positions of wall fixing must be checked when product is received.

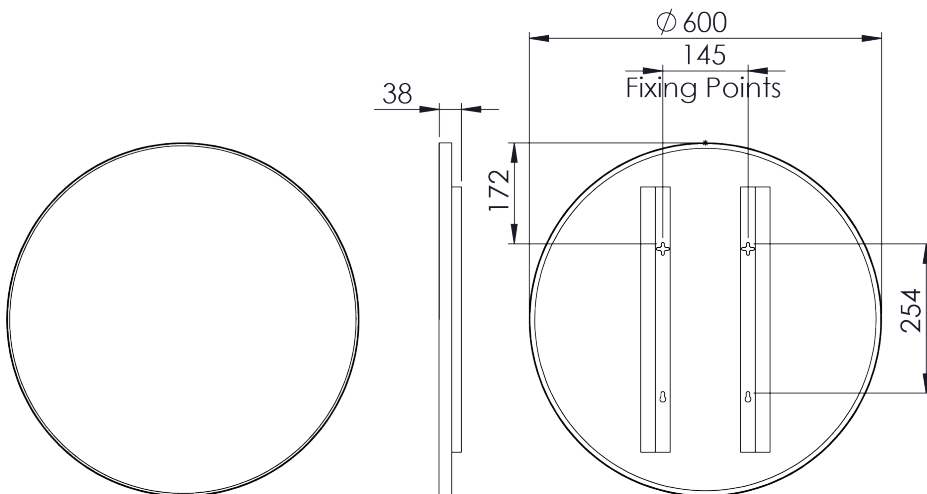
**VRM045**



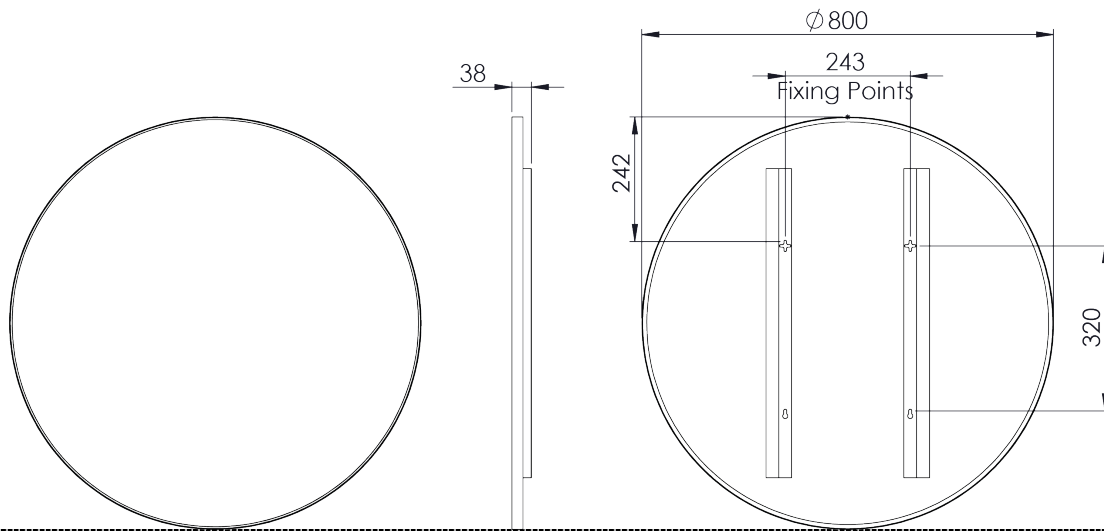
**VRM060**



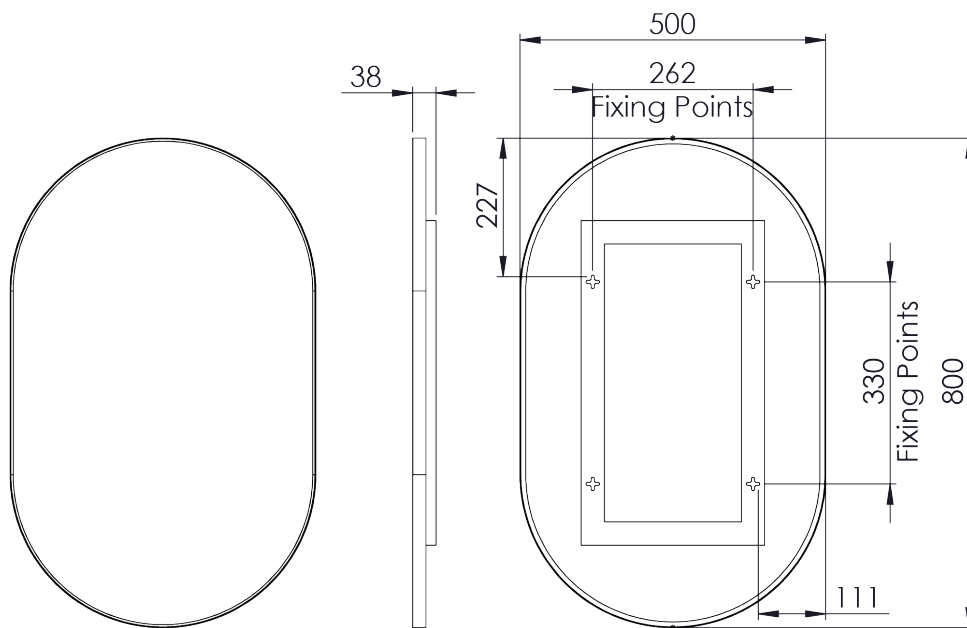
**VRM60C**



**VRM80C**



**VRM50P**



**VRM50V**

