

# Technical Data Sheet



## Marine Basin Mixer with Click Waste

TR1155 (Chrome), TR1156 (Brushed Brass), TR1157 (Gunmetal), TR1158 (Brushed Nickel)

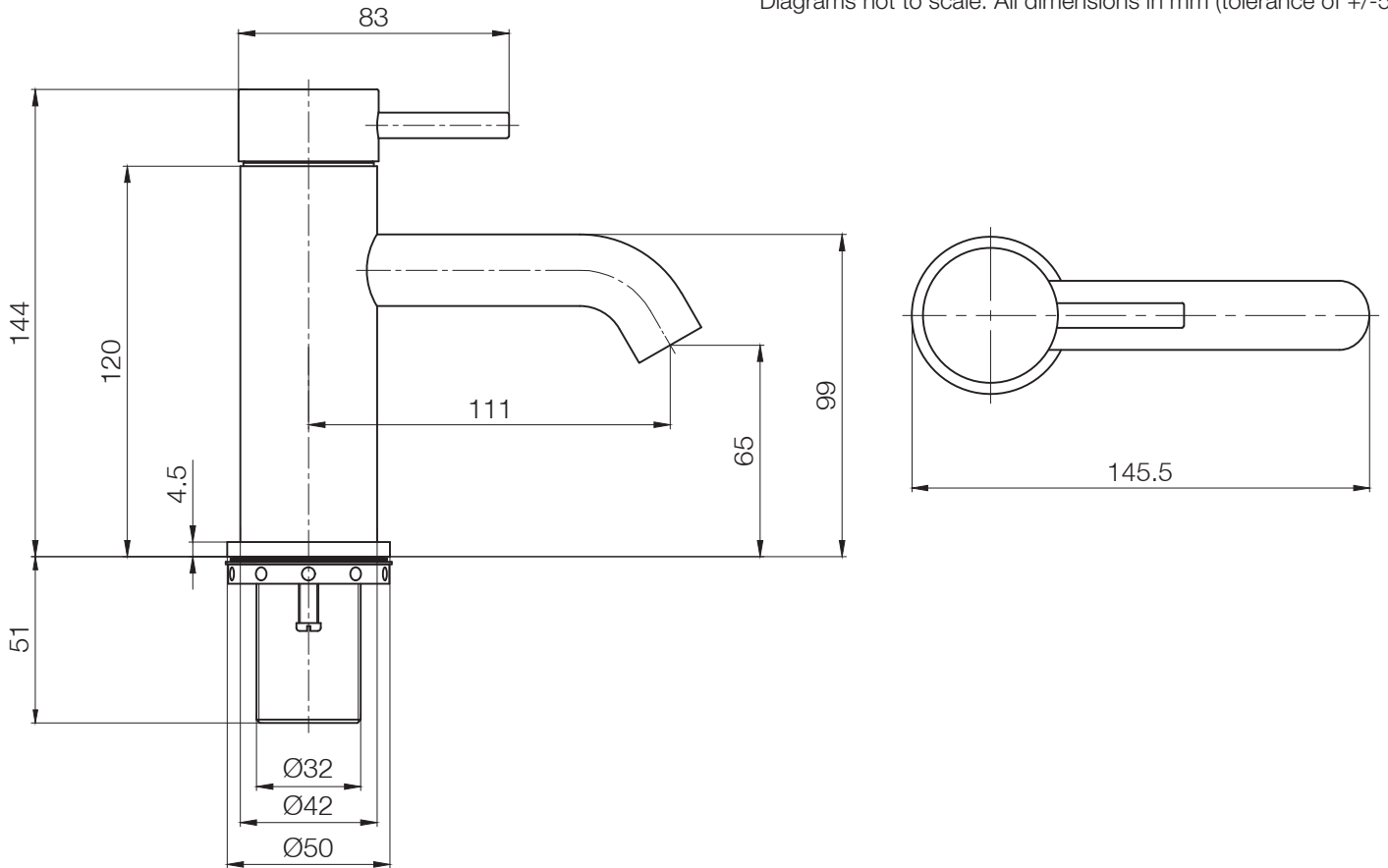


**FLOW RATE DATA IS TESTED UNDER LABORATORY CONDITIONS: ACTUAL FLOW RATE MAY VARY DEPENDING ON DOMESTIC SUPPLY AND ACCESSORIES**

Minimum Recommended Pressure:	0.2 BAR
Pressure (BAR)	Flow Rate (Litres/Min)
0.2 BAR	4.64
0.3 BAR	5.88
0.4 BAR	6.79
0.5 BAR	7.64
1 BAR	11.21

## Dimensions

Diagrams not to scale. All dimensions in mm (tolerance of +/-5mm)



## FAQs

**What connections do the flexible hoses have?** This tap uses flexible hoses with 1/2" BSP captive nut connections.

**What size pipework do I need?** It is recommended to use 15mm with G1/2" plumbing fittings.

**What is the recommended operating pressure?** 0.2 BAR

**How do I care for the finish on this tap?** We recommend using only a damp cloth and warm water. Do NOT use abrasive cleaning products or cleaning chemicals as this may damage the surface of the product.