

# Technical Data Sheet

## Universal Concealed Shower Box

SVBOX, SVBOXDIV, SVBOXTEMP

R2

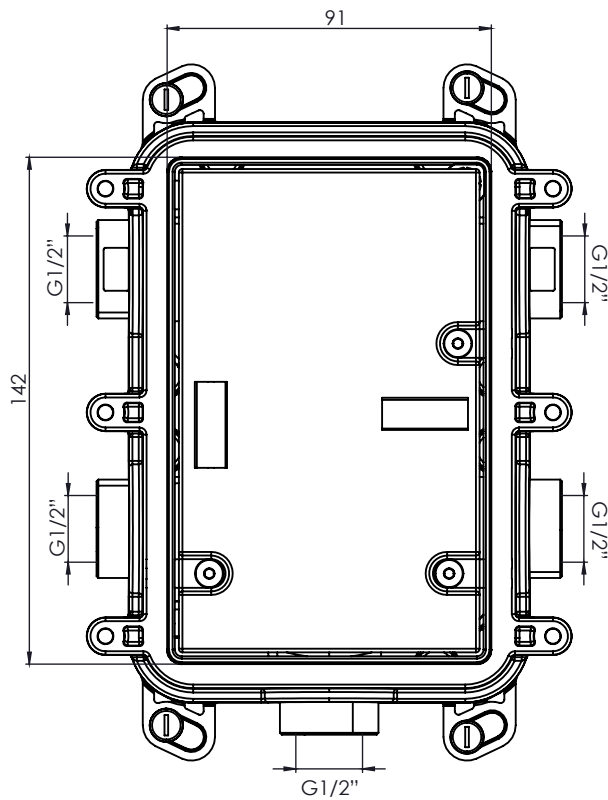


Scan to view installation video

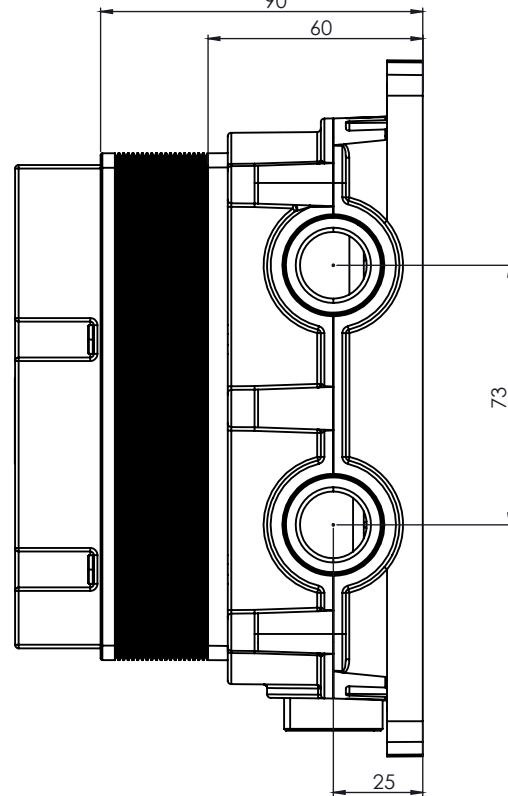
**FLOW RATE DATA IS TESTED UNDER LABORATORY CONDITIONS: ACTUAL FLOW RATE MAY VARY DEPENDING ON DOMESTIC SUPPLY AND ACCESSORIES**

Minimum Pressure:	1 BAR
Pressure:	Flow Rate (l/min)
1 BAR	10.9
2 BAR	15.6
3 BAR	19.2
4 BAR	21.7

## Dimensions



Diagrams not to scale. All dimensions in mm (tolerance of +/-5mm)



## FAQs

**What is the size of the connections?** The valve uses 1/2" connections for all inlets and outlets

**Can I have both shower options on at the same time?** No, only one shower outlet can be used at any one time

**What size Pipework do i need?** 15mm

**What is the minimum and maximum cavity depth for mounting the shower valve?** Min: 60mm - Max: 90mm (including finished wall)

**Does the valve include isolation points?** Yes, the valve can be isolated on the temperature module

**What is the recommended operating pressure?** 1.0 BAR

**Can the system be mounted vertically and horizontally?** No, this system is designed for vertical installation only

# Technical Data Sheet



## Marine Concealed Shower System with Handset Outlet and Overhead

TR3055 (Chrome), TR3056 (Brushed Brass), TR3057 (Gunmetal), TR3058 (Brushed Nickel)

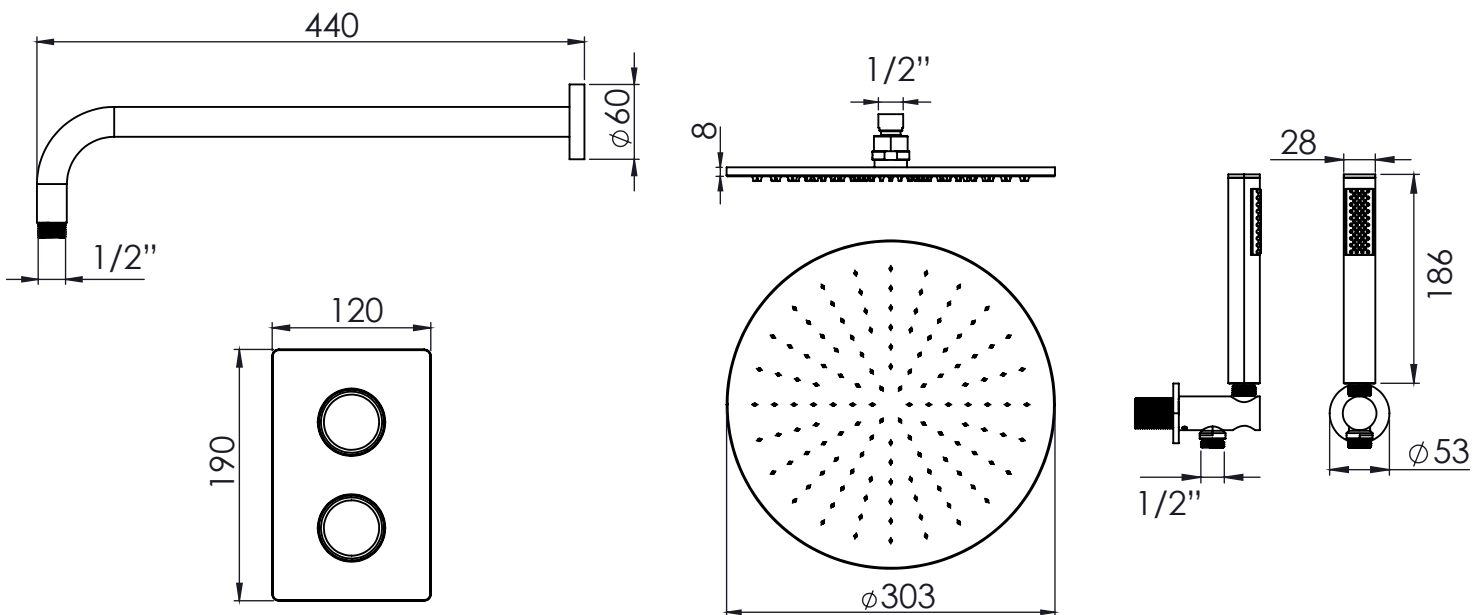


**FLOW RATE DATA IS TESTED UNDER LABORATORY CONDITIONS: ACTUAL FLOW RATE MAY VARY DEPENDING ON DOMESTIC SUPPLY AND ACCESSORIES**

Minimum Pressure:	1 BAR
Pressure:	Flow Rate (l/min)
1 BAR	10.9
2 BAR	15.6
3 BAR	19.2
4 BAR	21.7

## Dimensions

Diagrams not to scale. All dimensions in mm (tolerance of +/-5mm)



## FAQs

- What is the size of the connections?** The valve uses  $1/2''$  connections for all inlets and outlets and all accessories use  $1/2''$  connections
- Can I have both shower options on at the same time?** No, only one shower outlet can be used at any one time
- What size Pipework do I need?** 15mm
- What is the minimum and maximum cavity depth for mounting the shower valve?** Min: 60mm - Max: 90mm (including finished wall)
- Does the valve include isolation points?** Yes, the valve can be isolated on the temperature module
- What is the recommended operating pressure?** 1.0bar
- Can the system be mounted vertically and horizontally?** No, this system is designed for vertical installation only