

Technical Data Sheet

Universal Concealed Shower Box

SVBOX, SVBOXDIV, SVBOXTEMP

R2



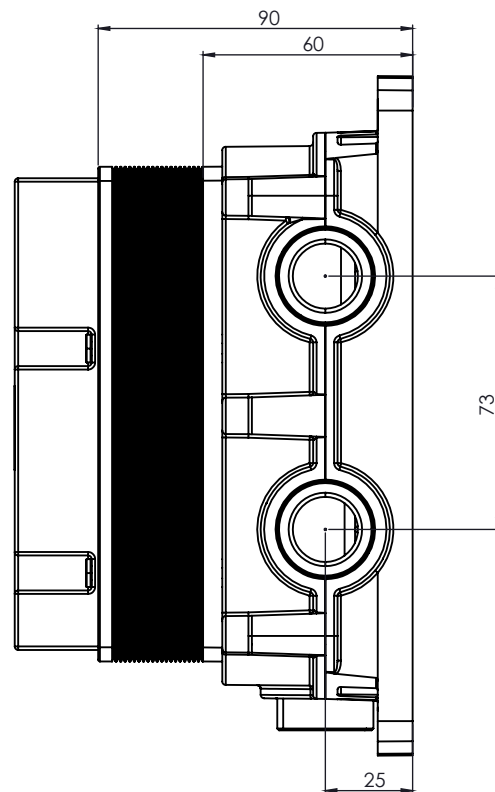
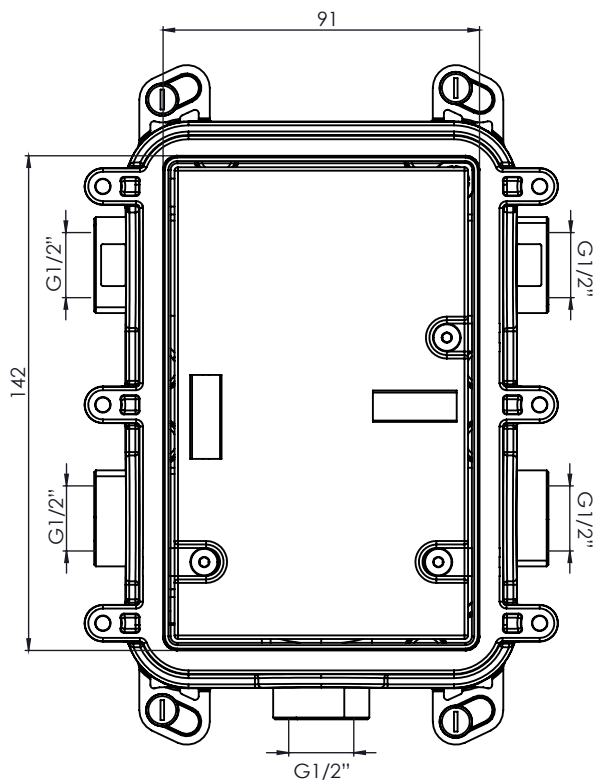
Scan to view installation video

FLOW RATE DATA IS TESTED UNDER LABORATORY CONDITIONS: ACTUAL FLOW RATE MAY VARY DEPENDING ON DOMESTIC SUPPLY AND ACCESSORIES

Minimum Pressure:	1 BAR
Pressure:	Flow Rate (l/min)
1 BAR	10.9
2 BAR	15.6
3 BAR	19.2
4 BAR	21.7

Dimensions

Diagrams not to scale. All dimensions in mm (tolerance of +/-5mm)



FAQs

What is the size of the connections? The valve uses 1/2" connections for all inlets and outlets

Can I have both shower options on at the same time? No, only one shower outlet can be used at any one time

What size pipework do I need? 15mm

What is the minimum and maximum cavity depth for mounting the shower valve? Min: 60mm - Max: 90mm (including finished wall)

Does the valve include isolation points? Yes, the valve can be isolated on the temperature module

What is the recommended operating pressure? 1.0bar

Can the system be mounted vertically and horizontally? No, this system is designed for vertical installation only

Technical Data Sheet

Marine Concealed Shower System with Riser and Overhead

TR3051 (Chrome), TR3052 (Brushed Brass), TR3053 (Gunmetal), TR3054 (Brushed Nickel)

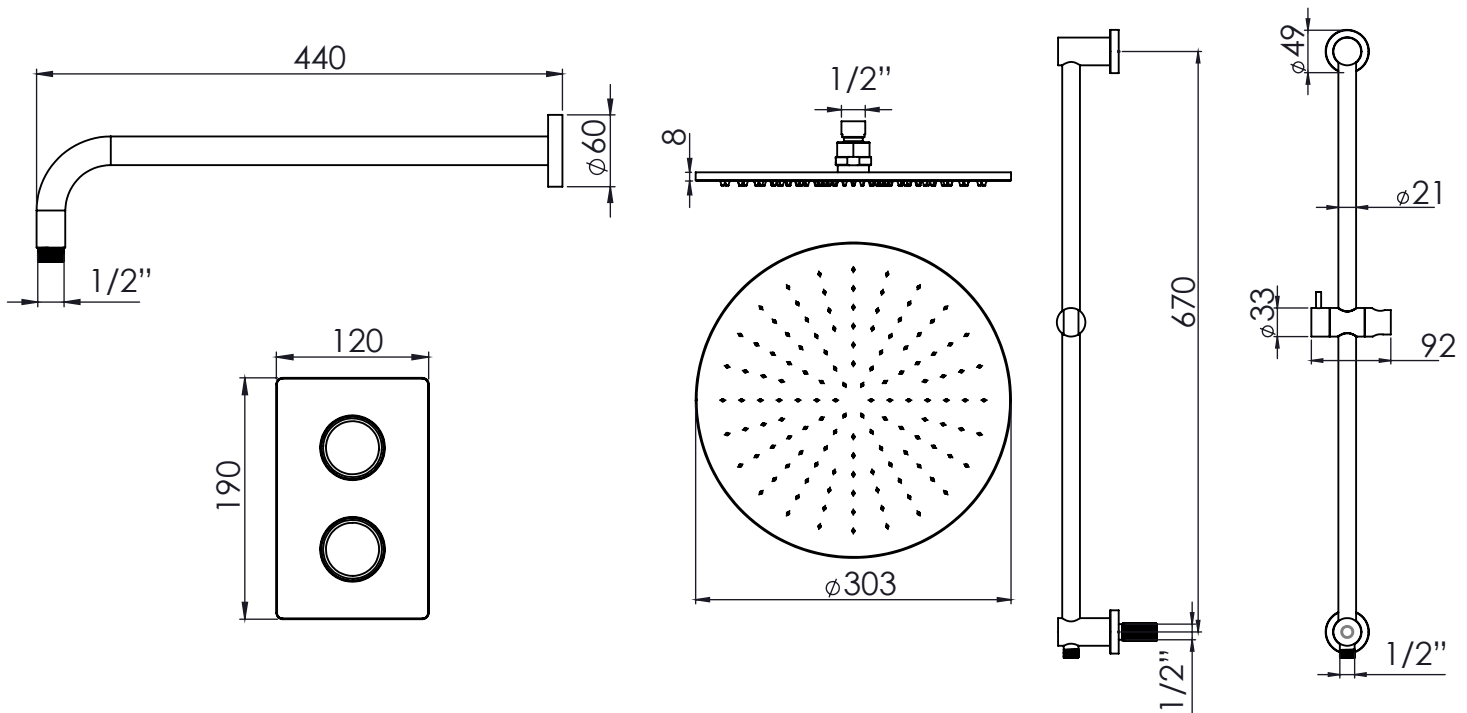


FLOW RATE DATA IS TESTED UNDER LABORATORY CONDITIONS: ACTUAL FLOW RATE MAY VARY DEPENDING ON DOMESTIC SUPPLY AND ACCESSORIES

Minimum Pressure:	1 BAR
Pressure:	Flow Rate (l/min)
1 BAR	10.9
2 BAR	15.6
3 BAR	19.2
4 BAR	21.7

Dimensions

Diagrams not to scale. All dimensions in mm (tolerance of +/-5mm)



FAQs

- What is the size of the connections?** The valve uses 1/2" connections for all inlets and outlets and all accessories use 1/2" connections
- Can I have both shower options on at the same time?** No, only one shower outlet can be used at any one time
- What size pipework do I need?** 15mm
- What is the minimum and maximum cavity depth for mounting the shower valve?** Min: 60mm - Max: 90mm (including finished wall)
- Does the valve include isolation points?** Yes, the valve can be isolated on the temperature module
- What is the recommended operating pressure?** 1.0bar
- Can the system be mounted vertically and horizontally?** No, this system is designed for vertical installation only