

Technical Data Sheet

R2

Marine Deck Mounted Bath Filler

TR1179 (Chrome), TR1180 (Brushed Brass), TR1181 (Gunmetal), TR1182 (Brushed Nickel)

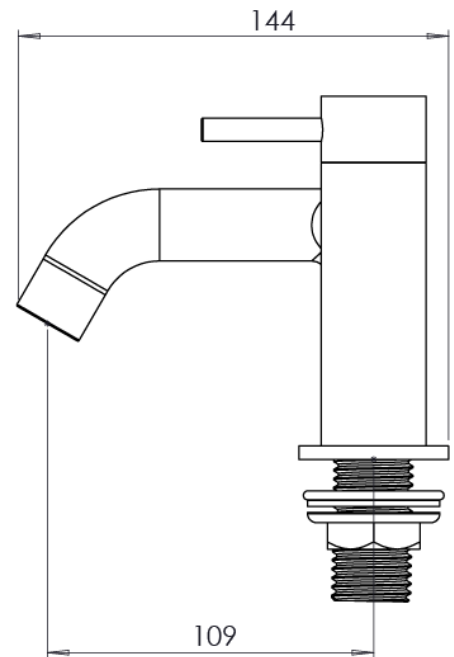
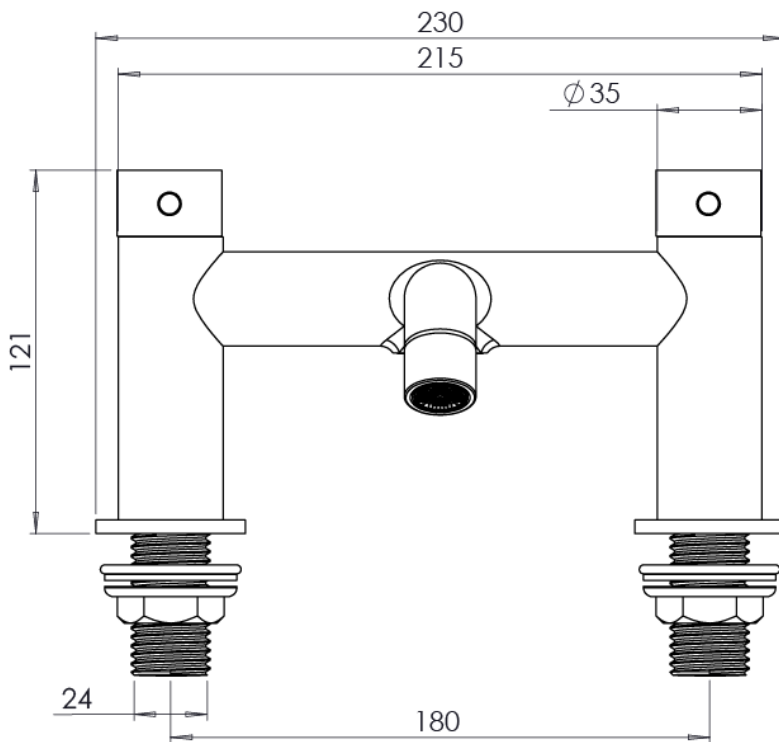
FLOW RATE DATA IS TESTED UNDER LABORATORY CONDITIONS: ACTUAL FLOW RATE MAY VARY DEPENDING ON DOMESTIC SUPPLY AND ACCESSORIES



Minimum Recommended Pressure:	0.2 BAR
Pressure (BAR)	Flow Rate (Litres/Min)
0.2 BAR	11.7
0.3 BAR	14.36
0.4 BAR	16.97
0.5 BAR	19.03
1 BAR	27.64

Dimensions

Diagrams not to scale. All dimensions in mm (tolerance of +/-5mm)



FAQs

What size are the plumbing connections for this product? The inlets on this product are 3/4" BSP threaded.

What size pipework do I need? It is recommended to use 22mm with G3/4" plumbing fittings.

What is the recommended operating pressure? 0.2 BAR

How do I care for the finish on this tap? We recommend using only a damp cloth and warm water. Do NOT use abrasive cleaning products or cleaning chemicals as this may damage the surface of the product.