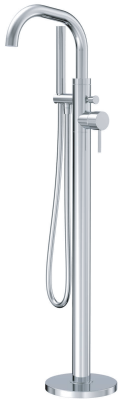


Technical Data Sheet

Marine Freestanding Bath Shower Mixer

TR1194 (Chrome), TR1195 (Brushed Brass), TR1196 (Gunmetal), TR1197 (Brushed Nickel)

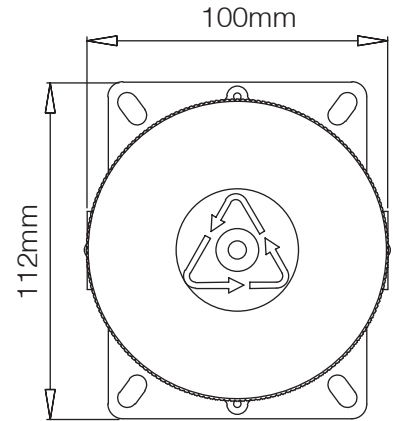
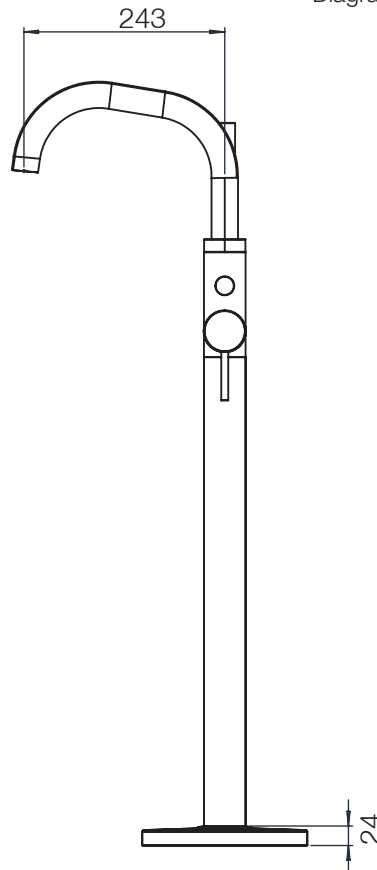
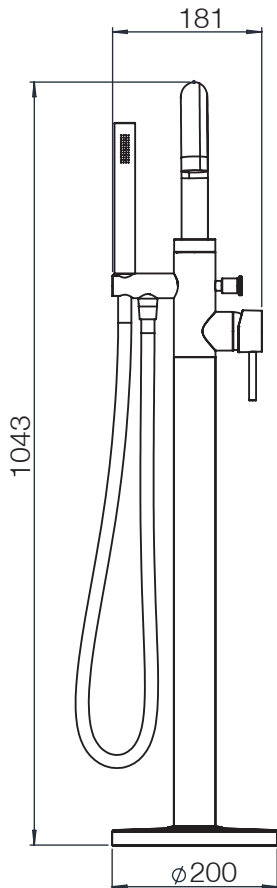


FLOW RATE DATA IS TESTED UNDER LABORATORY CONDITIONS: ACTUAL FLOW RATE MAY VARY DEPENDING ON DOMESTIC SUPPLY AND ACCESSORIES

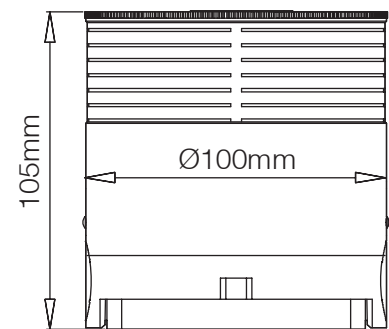
Minimum Recommended Pressure:	1 BAR
Pressure (BAR)	Flow Rate (Litres/Min)
1 BAR	10.28
2 BAR	11.42
3 BAR	13.93
4 BAR	16
5 BAR	18

Dimensions

Diagrams not to scale. All dimensions in mm (tolerance of +/-5mm)



TOP VIEW



SIDE VIEW

FAQs

What size are the plumbing connections for this product? An installation box is provided with this product, with 1/2" BSP threaded connections.

What size pipework do I need? It is recommended to use 15mm with G1/2" plumbing fittings.

What is the recommended operating pressure? 1 BAR

How do I care for the finish on this tap? We recommend using only a damp cloth and warm water. Do NOT use abrasive cleaning products or cleaning chemicals as this may damage the surface of the product.