

Technical Data Sheet



Marine Tall Basin Mixer

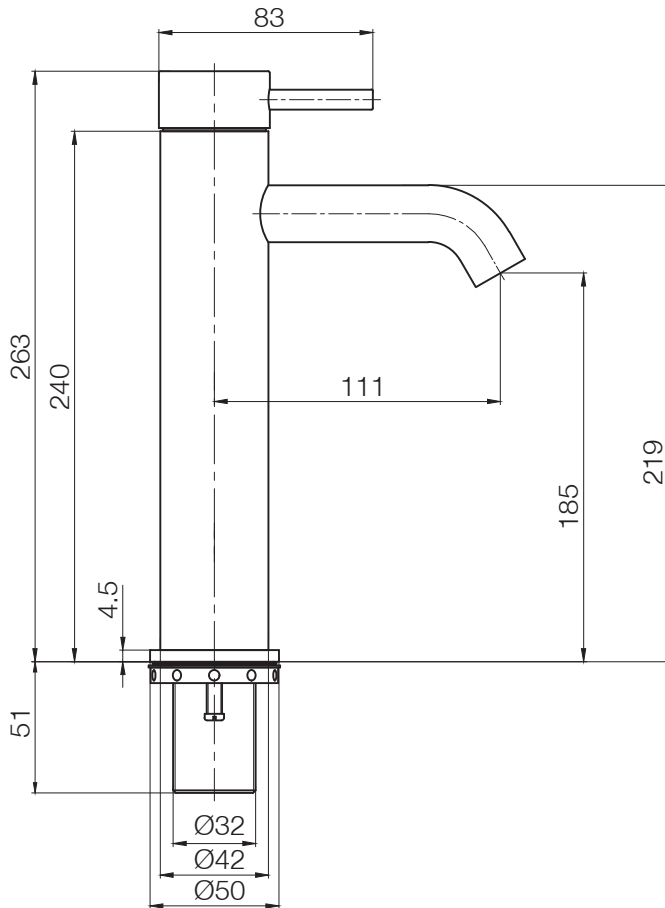
TR1163 (Chrome), TR1164 (Brushed Brass), TR1165 (Gunmetal), TR1166 (Brushed Nickel)



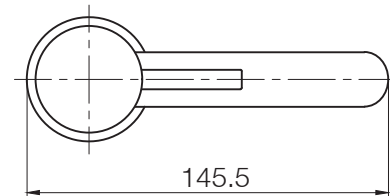
FLOW RATE DATA IS TESTED UNDER LABORATORY CONDITIONS: ACTUAL FLOW RATE MAY VARY DEPENDING ON DOMESTIC SUPPLY AND ACCESSORIES

Minimum Recommended Pressure:	0.2 BAR
Pressure (BAR)	Flow Rate (Litres/Min)
0.2 BAR	4.84
0.3 BAR	6
0.4 BAR	6.95
0.5 BAR	7.9
1 BAR	11.6

Dimensions



Diagrams not to scale. All dimensions in mm (tolerance of +/-5mm)



FAQs

What connections do the flexible hoses have? This tap uses flexible hoses with 1/2" BSP captive nut connections.

What size pipework do I need? It is recommended to use 15mm with G1/2" plumbing fittings.

What is the recommended operating pressure? 0.2 BAR

How do I care for the finish on this tap? We recommend using only a damp cloth and warm water. Do NOT use abrasive cleaning products or cleaning chemicals as this may damage the surface of the product.