

Technical Data Sheet

Marine Wall Mounted Bath Shower Mixer

TR1175 (Chrome), TR1176 (Brushed Brass), TR1177 (Gunmetal), TR1178 (Brushed Nickel)

R2

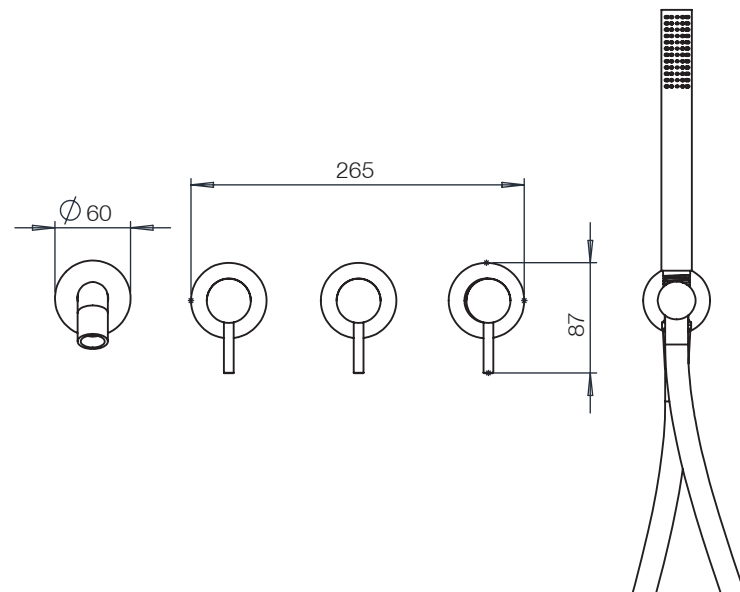
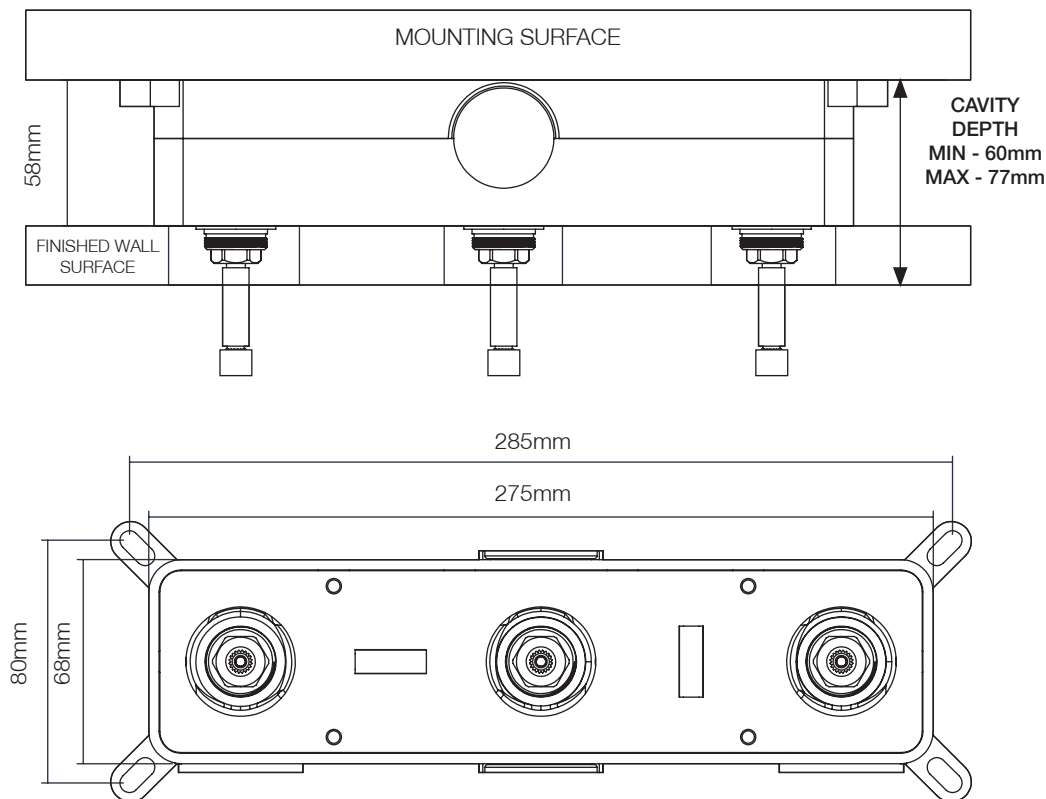
FLOW RATE DATA IS TESTED UNDER LABORATORY CONDITIONS: ACTUAL FLOW RATE MAY VARY DEPENDING ON DOMESTIC SUPPLY AND ACCESSORIES



Minimum Recommended Pressure:	0.2 BAR
Pressure (BAR)	Flow Rate (Litres/Min)
0.2 BAR	9.8
0.3 BAR	12
0.4 BAR	13.9
0.5 BAR	16
1 BAR	21.2

Dimensions

Diagrams not to scale. All dimensions in mm (tolerance of +/-5mm)



FAQs

What size are the plumbing connections for this product? An installation box is provided with this product, with 1/2" BSP threaded connections.

What size pipework do I need? It is recommended to use 15mm with G1/2" plumbing fittings.

What is the recommended operating pressure? 0.2 BAR

How do I care for the finish on this tap? We recommend using only a damp cloth and warm water. Do NOT use abrasive cleaning products or cleaning chemicals as this may damage the surface of the product.