

# Technical Data Sheet

# ROPER RHODES®

METRIC Basin Mixer with Click Waste Black - T391103

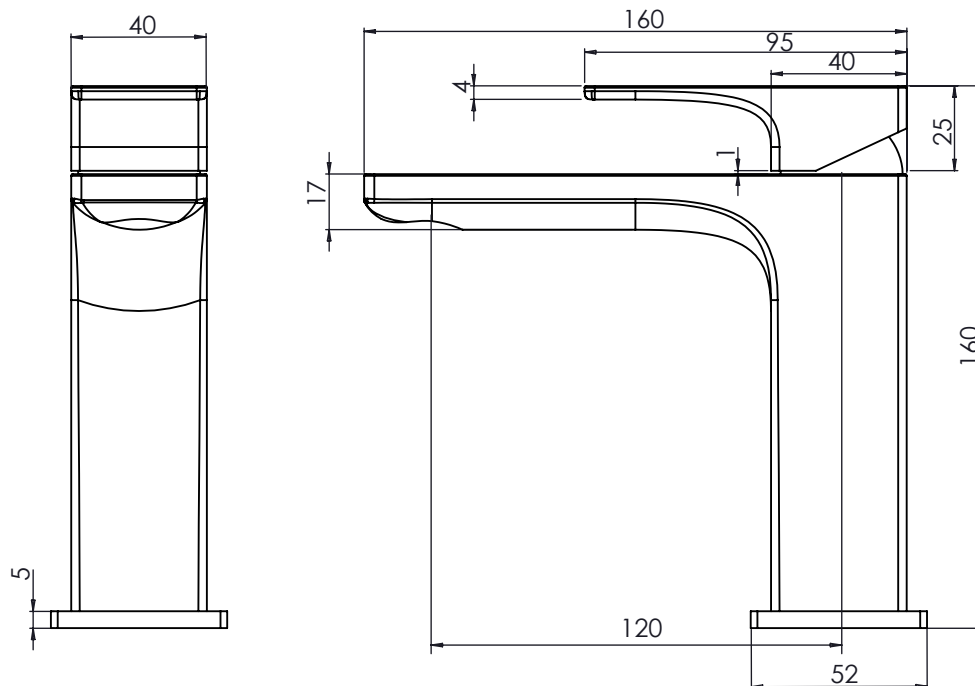
No.	Description	Code	Fixings Included
1	METRIC Basin Mixer with Click Waste Black	T391103	YES



Min Pressure:	0.2bar
0.2bar	4.3 litres / min
0.3bar	5.0 litres / min
0.4bar	5.7 litres / min
0.5bar	6.3 litres / min
1bar	8.6 litres / min
2bar	12 litres / min

## Dimensions:

Diagrams not to scale. All dimensions in mm (tolerance of +/-5mm)



\*Dimensions are subject to change, customers are advised to measure actual product before commencing installation.

## FAQs

**What is the size of the tap tail connection?** The tap tails have a standard 1/2" BSP fixing.

**What bore is the tap tail?** The tails have a 10mm internal bore.

**What length are the tap tails?** The tails are 300mm in length.

**Does the tap come fitted with an aerator?** Yes, the aerator comes pre-installed but can be replaced.

**What is the minimum recommended operating pressure of the tap?** 0.2 bar